

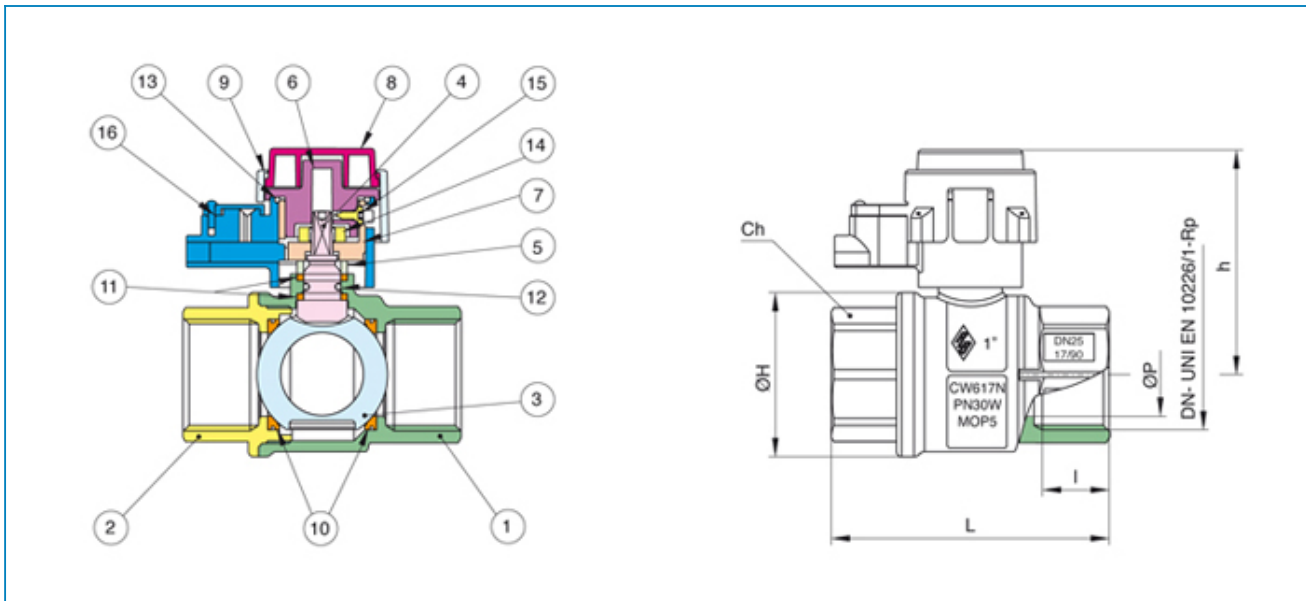
PATENTED



Serie **FIDO/SFER**

Articolo **9700**

Full bore ball valve for gas rising pipe, F/F threaded, with security lock and protection cap.



POS.	PART NAME	MATERIALE-MATERIALS MATERIAUX-WERKSTOFF- MATERIAL	N°P
1	BODY	OTTONE CW617N UNI EN 12165	1
2	END CONNECTION	OTTONE CW617N UNI EN 12165	1
3	BALL	OTTONE CW617N UNI EN 12165	1
4	STEM	OTTONE CW614N UNI EN 12164	1
5	PACKING GLAND	OTTONE CW614N UNI EN 12164	1
6	LOCKABLE CAP	ZAMA G Zn Al 4 UNI EN 1774	1
7	LOCK PROTECTION	OTTONE CW614N UNI EN 12164	1
8	CAP	ABS	1
9	CAP	ABS	1
10	BALL SEAT	P.T.F.E	2
11	STEM SEAL/THRUST WASHER	P.T.F.E	2
12	O-RING	NBR	1
13	O-RING	NBR	1
14	NUT	ACCIAIO CL 04	1
15	SCREW	ACCIAIO	1
16	LOCK	ZAMA G Zn Al 4 UNI EN 1774	1

MISURA SIZE	DN	BOX	MASTER BOX	CODICE CODE	ØP	I	Ch	ØH	L	h	MOP	Kg
1"	25	20	40	9700060000	25	19,1	38	49	83	67	5	0,65
1"1/4	32	10	20	9700070000	32	21,4	48	59	96	89,5	5	1,10
1"1/2	40	6	12	9700080000	40	21,4	54	73	108	89,5	5	1,58
2"	50	4	8	9700100000	50	25,7	67	87	127	98,5	5	2,10

Limiti di temperatura: -20°C +90°C - Temperature range: -20°C +90°C.