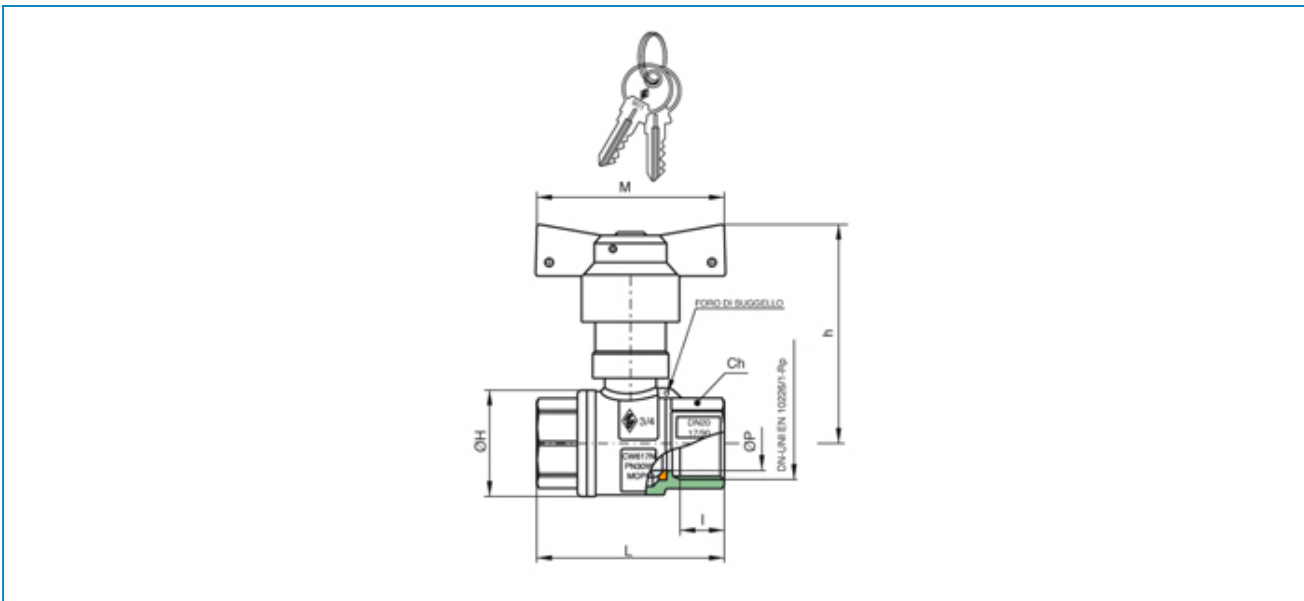




Serie **FIDO_SFER**

Articolo **9046**

Full bore ball valve for gas, F/F threaded, wit security lock.



POS.	PART NAME	MATERIALE-MATERIALS MATERIAUX-WERKSTOFF- MATERIAL	N°P
1	BODY	OTTONE CW617N UNI EN 12165	1
2	END CONNECTION	OTTONE CW617N UNI EN 12165	1
3	BALL	OTTONE CW617N UNI EN 12165	1
4	STEM	OTTONE CW614N UNI EN 12164	1
5	PACKING GLAND	OTTONE CW614N UNI EN 12164	1
6	PACKING GLAND	OTTONE CW614N UNI EN 12164	1
7	ANTIUNTHREADING RING	OTTONE CW614N UNI EN 12164	1
8	LOCKABLE CAP	ZAMA/G Zn A14 Alloy UNI 3717	1
9	PIN	ACCIAIO INOX AISI 303	1
10	CAP	ABS	1
11	SUPPORT	OTTONE CW614N UNI EN 12164	1
12	BALL SEAT	P.T.F.E	2
13	ANTIFRICTION SEAT	P.T.F.E	2
14	O-RING	NBR	1
15	O-RING	NBR	1
16	NUT	OTTONE CW617N UNI EN 12165	1
17	NUT	OTTONE CW617N UNI EN 12165	1

MISURA SIZE	DN	BOX	MASTER BOX	CODICE CODE	ØP	I	Ch	ØH	L	h	h1	M	R	MOP	Kg
3/4"	20	25	50	9046050025	20	16,3	31	39	70	79	-	70	-	5	0,49
1"	25	-	25	9046060025	25	19,1	38	49	83	82	-	70	-	5	0,68
*1"1/4	32	5	10	9646070025	32	21,4	48	59	96	-	113	-	160	5	1,15
*1"1/2	40	5	10	9646080025	40	21,4	54	73	108	-	119	-	160	5	1,16
*2"	50	-	5	9646100025	50	25,7	67	87	127	-	128	-	160	5	2,13

Limiti di temperatura: -20°C +90°C - Temperature range: -20°C +90°C.

* Art. 9646



**RUBINETTERIE
BRESCIANE**

