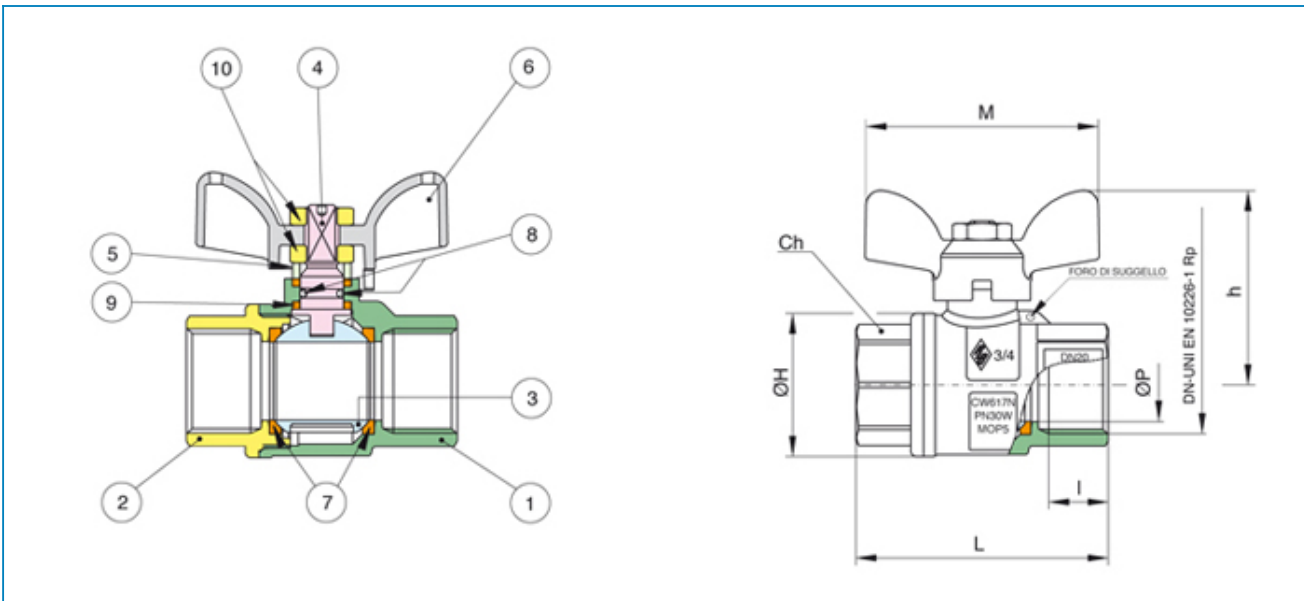




Serie **FIDO. SFER**

Articolo **9000**

Full bore ball valve for gas, F/F threaded, with aluminium T-handle.



POS.	PART NAME	MATERIALE-MATERIALS MATERIAUX-WERKSTOFF- MATERIAL	N°P
1	BODY	OTTONE CW617N UNI EN 12165	1
2	END CONNECTION	OTTONE CW617N UNI EN 12165	1
3	BALL	OTTONE CW617N UNI EN 12165	1
4	STEM	OTTONE CW614N UNI EN 12164	1
5	PACKING GLAND	OTTONE CW614N UNI EN 12164	1
6	T-HANDLE	ALLUMINIO EN-AC 46100 EN 1706	1
7	BALL SEAT	P.T.F.E	2
8	O-RING	NBR	1
9	STEM SEAL/THRUST WASHER	P.T.F.E	2
10	DADO	ACCIAIO CL 04	2

MISURA SIZE	DN	BOX	MASTER BOX	CODICE CODE	ØP	I	L	ØH	Ch	M	h	MOP	Kg
1/4"	8	25	50	9000020000	10	11	51,5	23	20	50	42	5	0,14
3/8"	10	25	50	9000030000	10	11,4	51,5	23	20	50	42	5	0,12
1/2"	15	50	100	9000040000	15	15	62	33	25	50	46	5	0,20
3/4"	20	25	50	9000050000	20	16,3	69	39	31	64	56	5	0,33
1"	25	20	40	9000060000	25	19,1	83	49	38	64	60	5	0,52

Limiti di temperatura: -20°C +90°C - Temperature range: -20°C +90°C.