



SINDBY PROFILES 4

Gummi til industri og autobranschen

Hos A/S H. Sindby & Co. har vi beskæftiget os med gummiprofiler, kantlister, svampegummi og gummimåtter i knap 100 år. Vi har således en solid erfaring på området og besvarer gerne spørgsmål vedr. kemisk modstandsdygtighed, UV belastning, hårdhedsområde, trækstyrke, brudforlængelse, max. temperaturområde, slidstyrke, bestandighed o.s.v.

Alle profiler/gummiplader er lagervarer, hvis ikke andet er opgivet. Specialprofiler leveres efter ordre.

Vi løser alle opgaver - spørg os og få løsningen.

Note

Tegningerne i dette katalog er ikke målfaste. Visse profiler i dette katalog lagerføres ikke men hjemtages kun på bestilling og ud fra mængde. Afklippede profiler tages ikke retur. Alle mål er i mm, hvis ikke andet er opgivet.

Rubber for industry and automotive sector

At A/S H. Sindby & Co. we have been working with rubber profiles, edge profiles, sponge rubber and rubber plates for almost 100 years. We therefore have a thorough knowledge in this area and are always at your disposal if you have questions concerning chemical resistance, UV impact, hardness, tractive power, elongation at break, max. temperature range, resistance, constancy etc. All profiles / rubber plates in the catalogue are stock items unless otherwise stated. Special profiles can be supplied to order.

We can offer our assistance in all kinds of projects - ask us and we have the solution.

Note

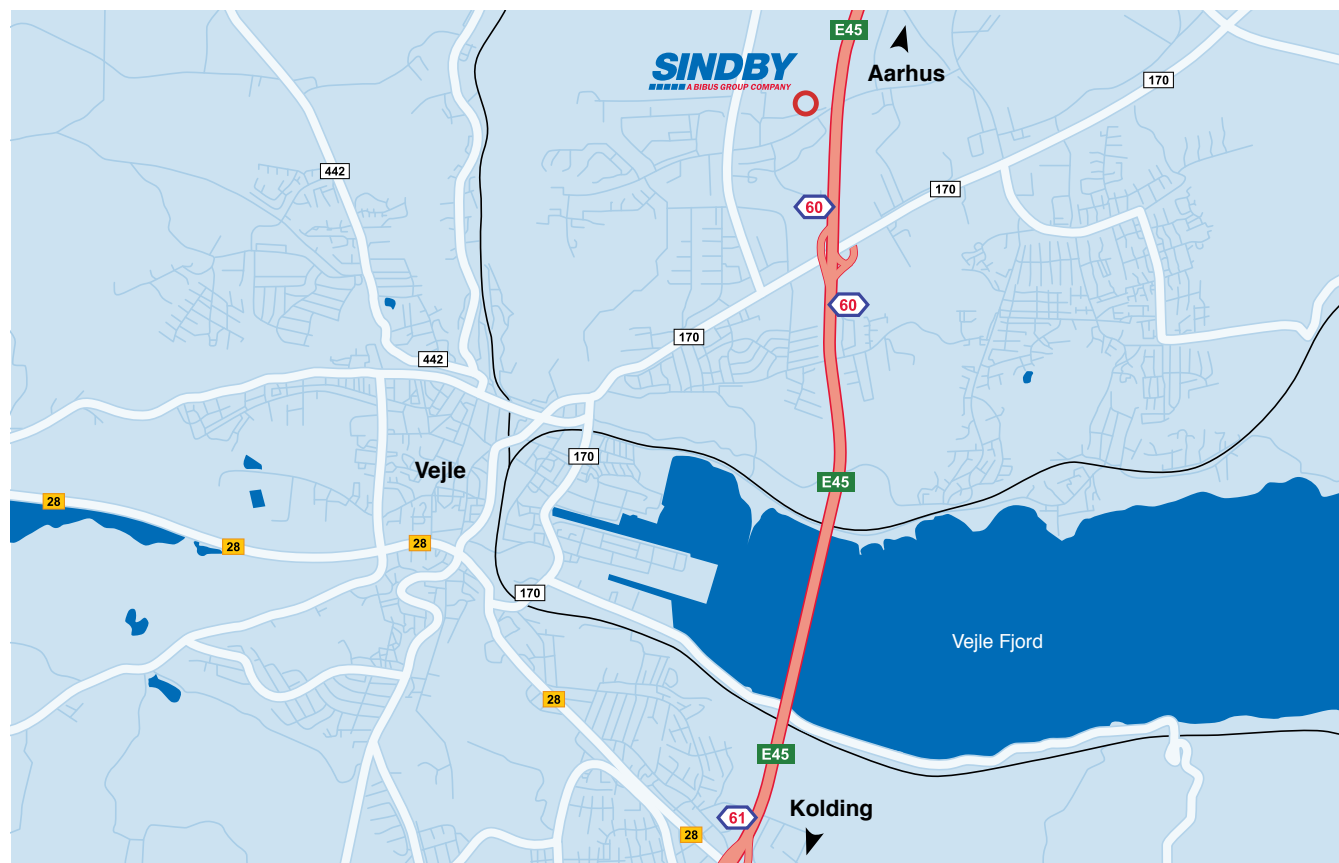
The drawings in this catalogue are not fixed. Certain profiles in this catalogue are not in stock and are only stocked on order. Profiles which are cut off cannot be returned. All measures are in mm unless otherwise stated.



Keld Asp Hansen

Adm. direktør
Managing Director

Her finder du SINDBY / Here you will find SINDBY

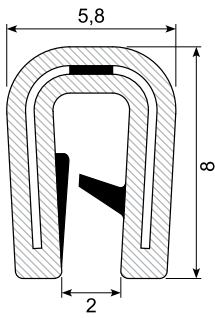


A/S H. Sindby & Co. • Edisonvej 11 • DK-7100 Vejle

Kantlister / Edge trims	2
Silikonkantlister / Silicone edge trims	14
POM-profiler / POM edge trims	16
Gummisnor / Rubber cord profiles	18
Specialprofiler / Special profiles	19
Co-ekstruderede plastprofiler / Co-extruded plastic profiles	30
U-profiler / U-profiles	33
P-profiler / P-profiles	38
Rudeprofiler / Glazing sections	40
Låsekiler / Glazing sections	43
Svampegummi / Sponge rubber	44
Glasbånd / Window seals	51
Cellegummi / Cellular rubber	52
Fenderlister / Fender lists	53
Sico Trim / Sico Trim	56
Gummibuffer / Rubber buffer	59
Vibrationsdæmpere / Vibration muffler	65
Fendere / Fenders	70
Børste- og flock-lister / Brush sections	76
Lydisolering / Soundproofing	79
Kinagummiplader / Rubber sheets from China	82
Øvrige europæiskproducerede måtter / Additional mats produced in Europe	87
Gummimåtter / Rubber mats	88
Gummistropper / Rubber straps	95
Bumpers / Bumpers	97
Poliall / Poliall	98
Oppustelige tætninger / Inflatable seals	99
Portsluser og tilbehør / Dock shelters	101
Tilbehør / Equipment	105
Varenummerindex / product number index	108
Egenskaber / Properties	113

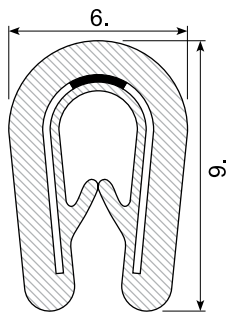
Kantlister / Edge trims

33.306



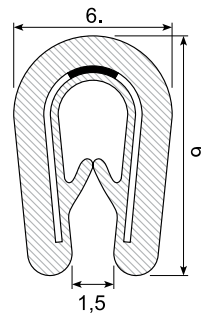
Edge trim: PVC black + bi
Grip range: 1 - 2 mm
Hardness: SH 78 / 65
Insert: 15 x 0,3 mm steel

33.409F



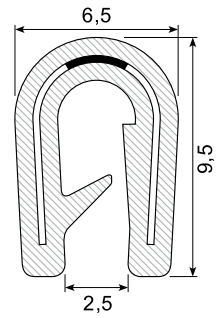
Edge trim: EPDM
Grip range: 1 - 2 mm
Hardness: SH 60
Insert: Steel
Flame retardent EN 45545

33.409 / 33.401G



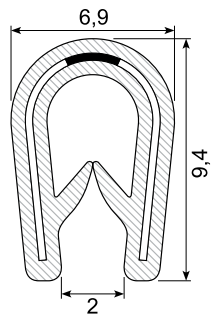
Edge trim: PVC black
Grip range: 1 - 2 mm
Hardness: SH 78
Insert: 16 x 0,3 mm steel
33.401G (grey)

33.307A



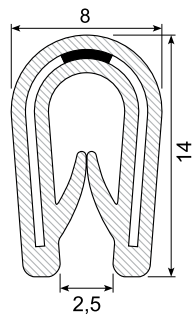
Edge trim: PVC black
Grip range: 1 - 2 mm
Hardness: SH 75
Insert: 17,5 x 0,3 mm steel
On cardboard coil

33.410X / 33.410XG



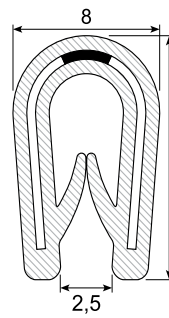
Edge trim: PVC black
Grip range: 1 - 2 mm
Hardness: SH 75
Insert: 17,5 x 0,3 mm steel
33.410XG (grey)

33.310X



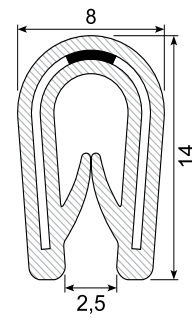
Edge trim: PVC black
Grip range: 1 - 3 mm
Hardness: SH 75
Insert: 26 x 0,47 mm steel

33.310SS



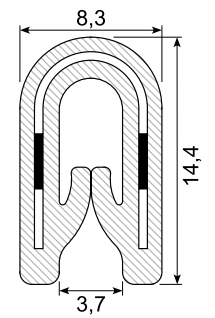
Edge trim: PVC black
Grip range: 1 - 2,5 mm
Hardness: SH 70 - 75
Insert: 26 x 0,5 mm stainless steel SS 304

33.310SS-316



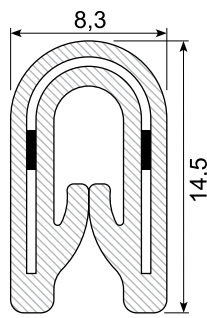
Edge trim: PVC black
Grip range: 1 - 2,5 mm
Hardness: SH 70 - 75
Insert: 26 x 0,5 mm stainless steel SS 316 (acid-proof)

33.422



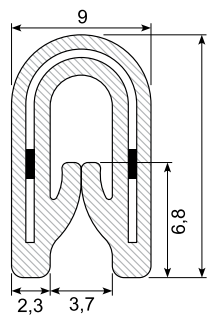
Edge trim: TPE flexible
Grip range: 1 - 2,5 mm
Hardness: SH 82
Insert: 25 x 0,48 mm steel

33.309XM



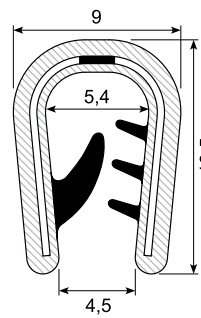
Edge trim: PVC mokka brown
Grip range: 1 - 2,5 mm
Hardness: SH 78
Insert: Steel
Current stock available

33.003



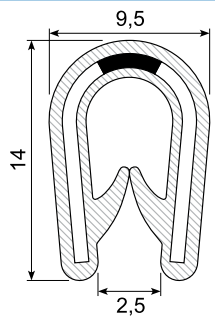
Edge trim: PVC black
Grip range: 1 - 2,5 mm
Hardness: SH 78
Insert: Steel
Current stock available

33.418SS



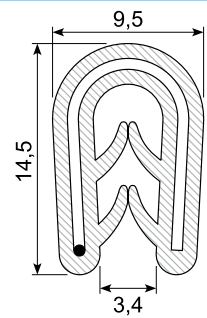
Edge trim: PVC black + bi
Grip range: 1,5 - 3 mm
Hardness: SH 78 / 78
Insert: 26 x 0,5 mm stainless 304 steel

33.308A



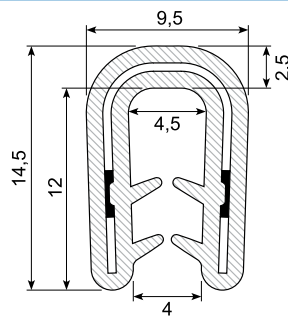
Edge trim: PVC black
Grip range: 1 - 4 mm
Hardness: SH 75
Insert: 26 x 0,47 mm steel
On cardboard coil

33.432



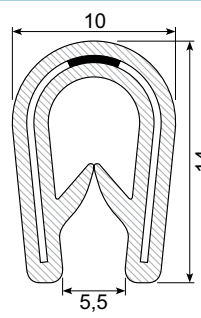
Edge trim: EPDM
Grip range: 1 - 3 mm
Hardness: SH 65
Insert: 27 mm wire

33.438



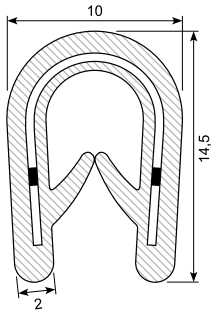
Edge trim: EPDM
Grip range: 1,5 - 3,5 mm
Hardness: SH 65
Insert: 29 x 0,5 mm steel

33.420X



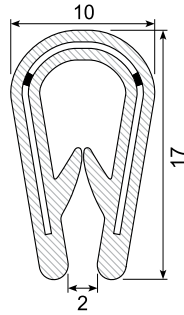
Edge trim: PVC black
Grip range: 1 - 4 mm
Hardness: SH 75
Insert: 27 x 0,47 mm steel

33.420F



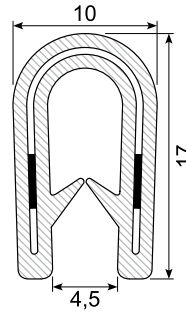
Edge trim: EPDM
Grip range: 1 - 3 mm
Hardness: SH 65
Insert: 26 x 0.5 mm steel
Flame retardant NNF 16-101
Min. order: 500 m.

33.419



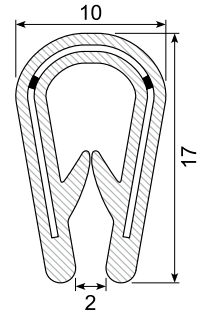
Edge trim: PVC black
Grip range: 1 - 4 mm
Hardness: SH 78
Insert: 31 x 0.5 mm steel

33.411



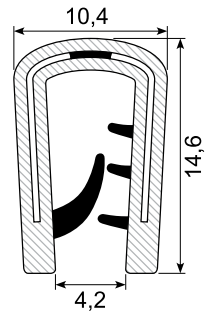
Edge trim: PVC grey
Grip range: 2.5 - 4 mm
Hardness: SH 78
Insert: 29 x 0.48 mm steel

33.411A *



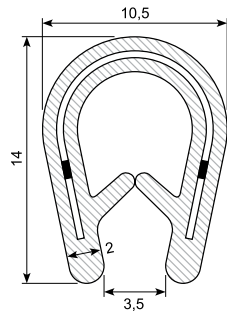
Edge trim: PVC grey
Grip range: 1 - 4 mm
Hardness: SH 78
Insert: 31 x 0.5 mm steel
Min. order: 2.000 mtr.

33.418X



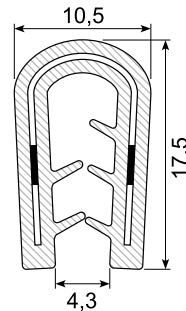
Edge trim: PVC black + bi
Grip range: 2 - 5 mm
Hardness: SH 75 / 75
Insert: 26 x 0.47 mm steel
White lips

33.420FX



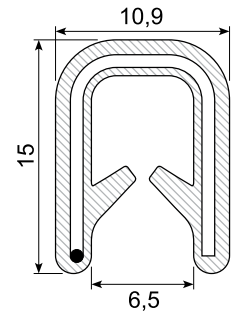
Edge trim: EPDM
Grip range: 1 - 3 mm
Hardness: SH 60
Insert: 26 x 0.5 mm steel
Flame retardant EN 45545

33.425G



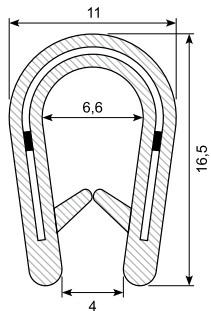
Edge trim: PVC grey
Grip range: 3 - 4 mm
Hardness: SH 78
Insert: 35 x 0.48 mm steel
Min. order: 2.000 m

33.434



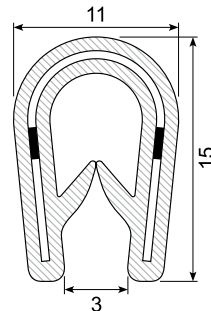
Edge trim: EPDM
Grip range: 2 - 4 mm
Hardness: SH 65
Insert: 30 mm wire

33.419A



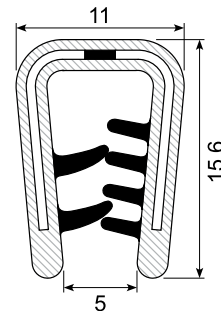
Edge trim: PVC black
Grip range: 2 - 4 mm
Hardness: SH 75
Insert: 15 x 0.5 mm steel

33.423



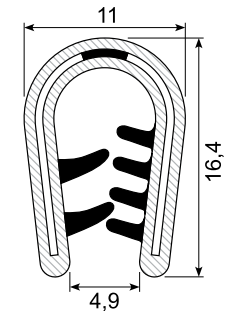
Edge trim: PVC black
Grip range: 2.5 - 5 mm
Hardness: SH 78
Insert: Steel
Current stock available

33.427X



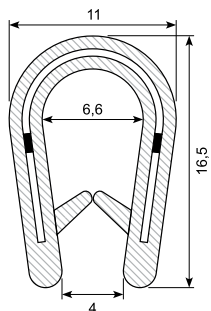
Edge trim: PVC black + bi
Grip range: 1.5 - 4.5 mm
Hardness: SH 75 / 75
Insert: 30 x 0.47 mm steel
Yellow lips

33.094X



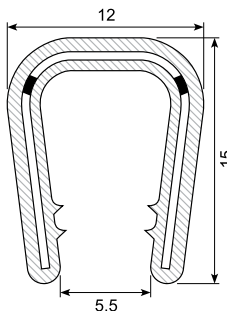
Edge trim: PVC black + bi
Grip range: 1 - 4 mm
Hardness: SH 75 / 75
Insert: 30 x 0.47 mm steel
Yellow lips

33.419A



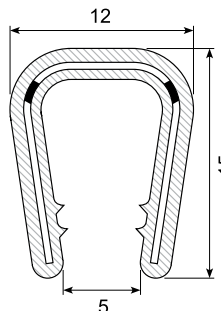
Edge trim: PVC black
Grip range: 2 - 4 mm
Hardness: SH 75
Insert: 16.5 x 11 mm

33.1153A



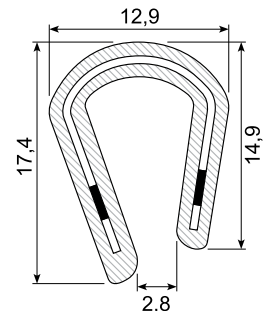
Edge trim: PVC Black
Grip range: 6 - 8 mm
Hardness: SH 78
Insert: 32 mm steel

33.1153GA



Edge trim: PVC Grey
Grip range: 6 - 8 mm
Hardness: SH 78
Insert: 32 mm steel

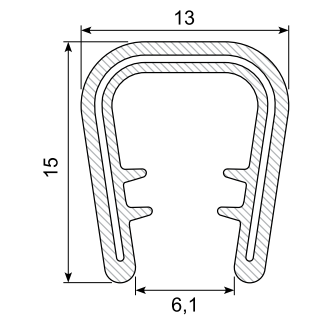
33.415



Edge trim: PVC
Grip range: 5 - 7 mm
Hardness: SH 78
Insert: 29 x 0.48 mm steel

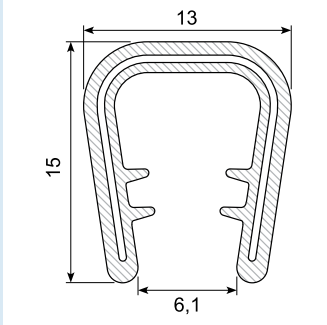
Kantlister / Edge trims

33.426XA



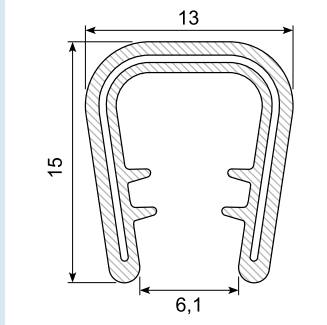
Hardness: SH 78
Insert: 32 mm
Min. order: 2.000 m

33.426A



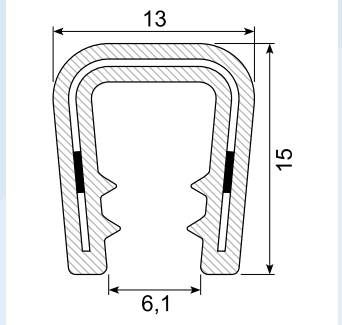
Hardness: SH 78 / 65
Insert: 32 mm
Min. order: 3.000 m

33.426GA



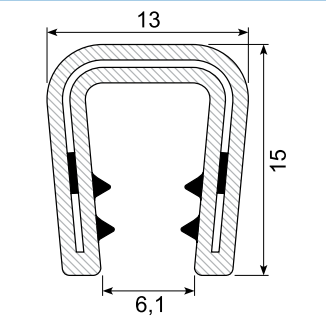
Edge trim: Grey
Insert: 32 mm
Min. order: 3.000 m

33.426X



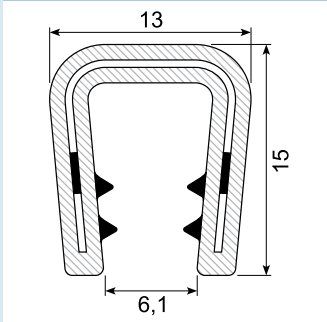
Edge trim: PVC black
Grip range: 4,5 - 7 mm
Hardness: SH 75
Insert: 30 x 0,8 mm steel

33.426



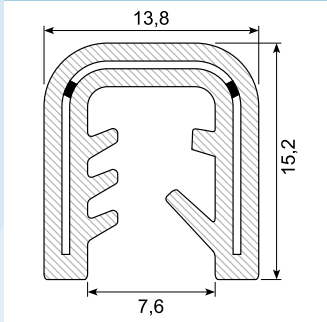
Edge trim: PVC + bi
Grip range: 4,5 - 7 mm
Hardness: SH 78 / 65
Insert: 29 x 0,48 mm steel

33.426G *



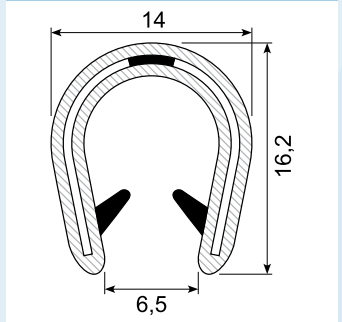
Edge trim: Grey PVC + bi
Grip range: 4,5 - 7 mm
Hardness: SH 78 / 65
Insert: 29 x 0,48 mm steel
Min. order 1.000 m

33.433



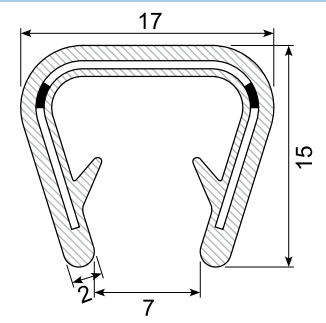
Edge trim: EPDM
Grip range: 4 - 6 mm
Hardness: SH 70
Insert: 33 x 0,47 mm steel
Flame retardant EPDM DIN5510-2

33.1154



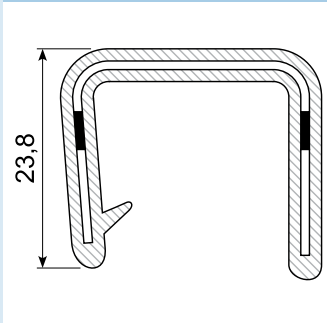
Edge trim: PVC black
Grip range: 6 - 8 mm mm
Hardness: SH 75 / 75
White lips

33.428 / 33.428G



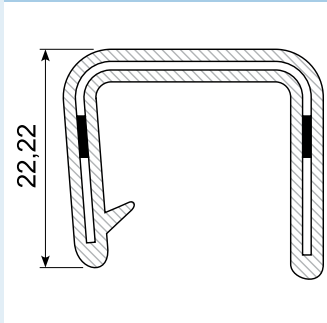
Edge trim: PVC black + bi
Grip range: 10 - 12 mm
Hardness: SH 78
Insert: 36 x 0,5 mm steel
33.428G (grey)

33.1155



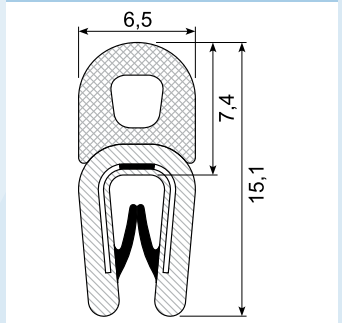
Edge trim: PVC black
Grip range: 15 - 16 mm
Hardness: SH 85
Insert: Steel

33.1156



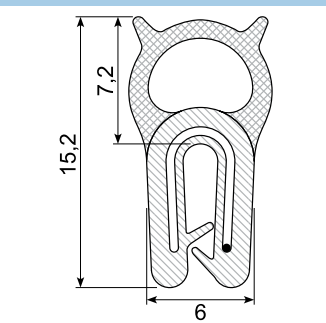
Edge trim: PVC black
Grip range: 18 - 19 mm
Hardness: SH 85
Insert: Steel

33.354



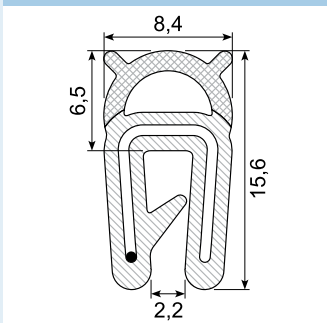
Edge trim: PVC+bi / sponge rubber
Grip range: 1 - 2 mm
Hardness: SH 78 / 57 / density 0,55
Insert: 16 x 0,3 mm steel

33.368 *



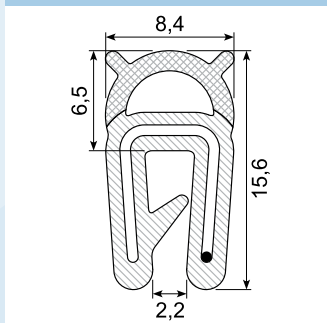
Edge trim: EPDM co-ex
Grip range: 0,5 - 1,5 mm
Hardness: SH 60 / density 0,55
Insert: wire
Min. order: 6.000 mtr.

33.468F



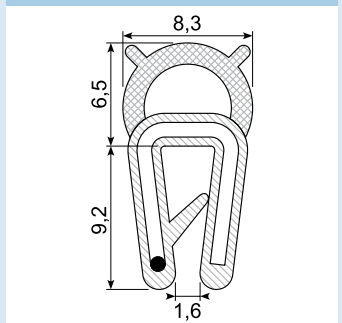
Edge trim: EPDM co-ex
Grip range: 1 - 2 mm
Hardness: SH 60 / density 0,8
Insert: 22 x 0,75 mm wire
Flame retardant EN 45545

33.468X



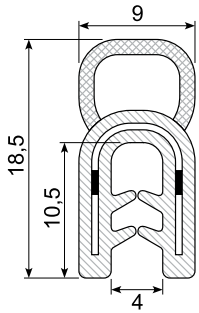
Edge trim: EPDM co-ex
Grip range: 1 - 2 mm
Hardness: SH 60 / density 0,55
Insert: 22 x 0,75 mm wire

33.468B *



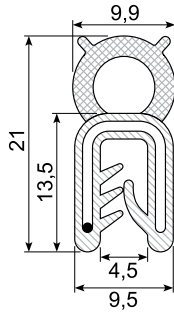
Edge trim: EPDM co-ex
Grip range: 1 - 2 mm
Hardness: SH 70 / density 0,55
Insert: 22 mm wire
Min. order: 3.000 mtr.

33.358C *



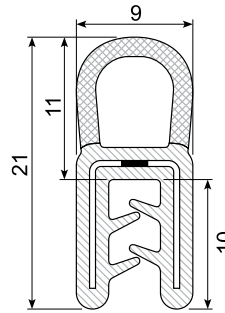
Edge trim: EPDM co-ex
Grip range: 0,8 - 2,5 mm
Hardness: SH 65
Insert: 25 x 0,5 mm steel
Min. order: 3.000 m

33.021



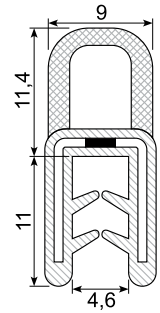
Edge trim: EPDM co-ex
Grip range: 0,8 - 2 mm
Hardness: SH 70 / density 0,55
Insert: 25 mm wire

33.358X



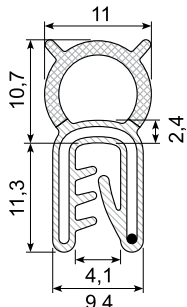
Edge trim: EPDM co-ex
Grip range: 1 - 3,5 mm (1 - 3 mm)
Hardness: SH 70 / density 0,55
Insert: 26 x 0,5 mm
Unbroken

33.358B



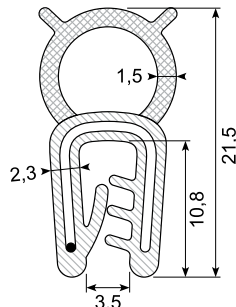
Edge trim: EPDM co-ex
Grip range: 1 - 3 mm
Hardness: SH 70 / density 0,55
Insert: 27 mm

33.370NBR



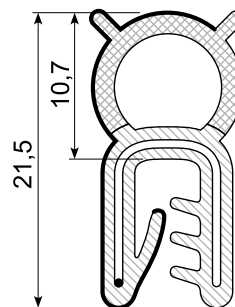
Edge trim: NBR co-ex
Grip range: 1 - 3 mm
Hardness: SH 70 / density 0,55
Insert: Wire
Oil resistant

33.371A *



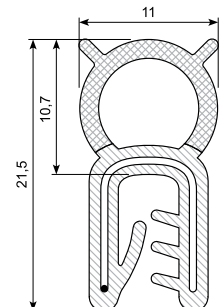
Edge trim: EPDM co-ex
Grip range: 1 - 3 mm
Hardness: SH 60 / density 0,55
Insert: 26 x 0,76 mm wire
Min. order: 5.500 m

33.371E EMV - EMC - EMI *



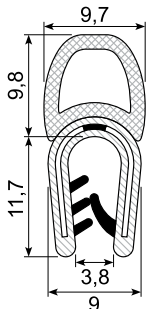
Edge trim: EPDM co-ex
Grip range: 1 - 3 mm
Hardness: SH 70 / density 0,55
Insert: Wire
Electromagnetic compatibility. On demand

33.371F



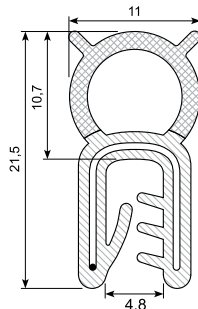
Edge trim: EPDM co-ex
Grip range: 1 - 3 mm
Hardness: SH 65 / density 0,6
Insert: 26 x 0,75 mm wire
Flame retardant NFF16-101
Min. 4.000 m

33.469X



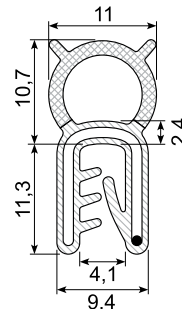
Edge trim: PVC+bi / sponge rubber
Grip range: 1,5 - 3,5 mm
Hardness: SH 75 / 63
density 0,6 - 0,85
Insert: 26 x 0,47 mm steel

33.371FX



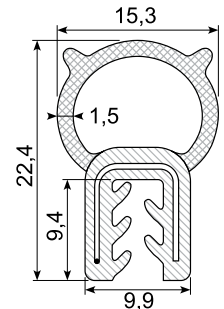
Edge trim: EPDM co-ex
Grip range: 1 - 3 mm
Hardness: SH 60 / density 0,8
Insert: 26 x 0,75 mm wire
Flame retardant EN 45545

33.371X



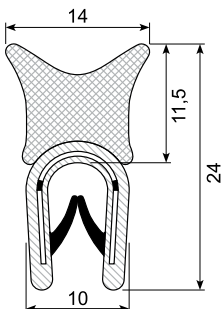
Edge trim: EPDM co-ex
Grip range: 1 - 3,5 mm (1 - 3 mm)
Hardness: SH 70 / density 0,55
Insert: 27 mm wire

33.369



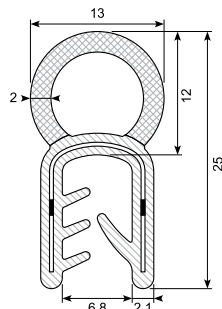
Edge trim: EPDM co-ex
Grip range: 2 - 4 mm
Hardness: SH 65 / density 0,6
Insert: Wire

33.481



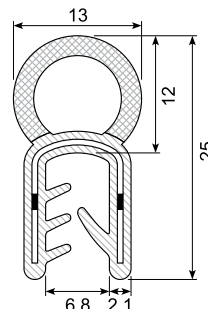
Edge trim: PVC + bi / spongerubber
Grip range: 1 - 4 mm
Hardness: SH 57 / 78 / density 0,55
Insert: Steel

33.353NBR



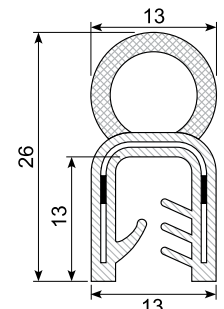
Edge trim: Co-ex
Grip range: 3 - 4 mm
Hardness: SH 70 / density 0,55
Insert: 31 x 0,5 mm
Min. order: 3.000 m

33.353S *



Edge trim: EPDM co-ex
Grip range: 3 - 4 mm
Hardness: SH 65 / density 0,6
Insert: 31 x 0,5 mm steel
Min. order: 6.000 m

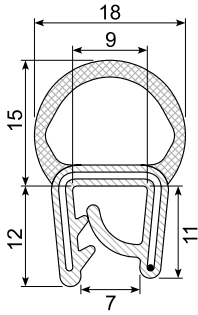
33.353



Edge trim: EPDM co-ex
Grip range: 3 - 5 mm
Hardness: SH 65 / density 0,6
Insert: 32 mm steel

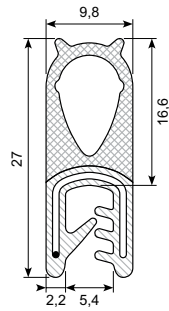
* Skaffevare / Special order item

33.352 *



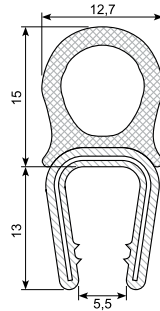
Edge trim: EPDM co-ex
Grip range: 5 - 6 mm
Hardness: SH 78 / density 0,6
Insert: 31 x 0,5 mm
Min. order: 2.000 m

33.362FX



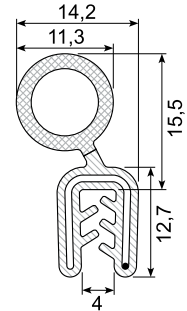
Edge trim: EPDM co-ex
Grip range: 1 - 3,5 mm
Hardness: SH 60 / density 0,8
Insert: 26 x 0,75 mm wire
Flame retardent EN 45545

33.357X



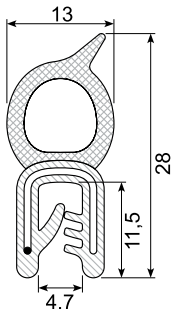
Edge trim: PVC / sponge rubber
Grip range: 5 - 7 mm
Hardness: SH 78 / density 0,6
Insert: 31 x 0,5 mm

33.359X



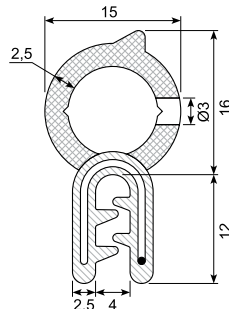
Edge trim: EPDM co-ex
Grip range: 1,5 - 4 mm
Hardness: SH 70 / density 0,6 - 0,85
Insert: 25 wire

33.362B *



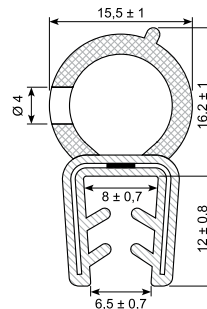
Edge trim: EPDM co-ex
Grip range: 1 - 3,5 mm
Hardness: SH 70 / density 0,55
Insert: 26 x 0,76 mm wire
Min. order: 5.500 m

33.362A *



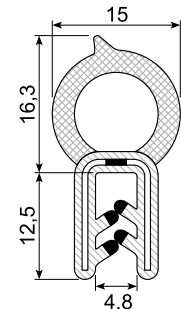
Edge trim: EPDM co-ex
Grip range: 1 - 2,5 mm
Hardness: SH 70 / density 0,55
Insert: 26 x 0,76 mm wire
Min. order: 5.500 m

33.353X



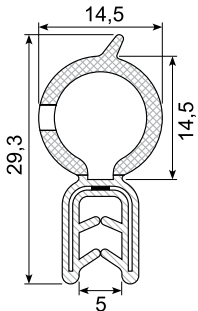
Edge trim: EPDM co-ex
Grip range: 4 - 6 mm
Hardness: SH 65 / density 0,6
Insert: 33 mm steel

33.376



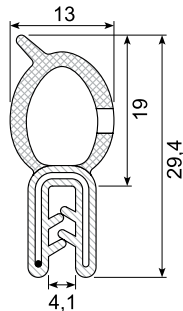
Edge trim: EPDM co-ex
Grip range: 1 - 3,5 mm
Hardness: SH 70 / density 0,75
Insert: 27 mm steel

33.361 *



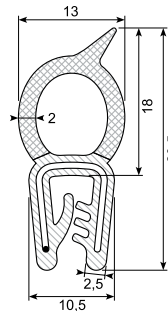
Edge trim: EPDM co-ex
Grip range: 1 - 4 mm
Hardness: SH 70 / density 0,55
Insert: 26 x 0,5 mm steel
Min. order: 5.500 m

33.361B *



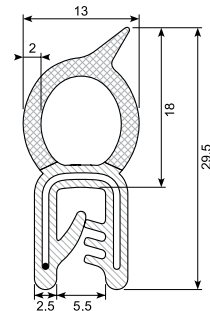
Edge trim: EPDM co-ex
Grip range: 1 - 2,5 mm
Hardness: SH 65 / density 0,55
Insert: 26 x 0,76 mm wire
Min. order: 5.500 m

33.360



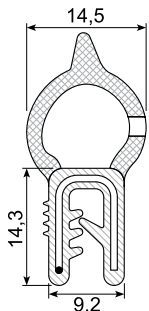
Edge trim: EPDM co-ex
Grip range: 1 - 2,5 mm
Hardness: SH 60 / density 0,6
Insert: 27 x 0,75 mm wire

33.360NBR *



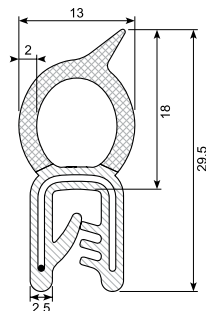
Edge trim: NBR co-ex
Grip range: 1 - 3 mm
Hardness: SH 70 / density 0,55
Insert: 27 x 0,75 wide
Oil resistant
Min. order: 4.000 m

33.377



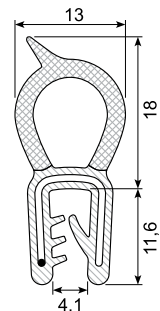
Edge trim: EPDM co-ex
Grip range: 1 - 3,5 mm
Hardness: SH 70 / density 0,75
Insert: 27 mm wire

33.360F



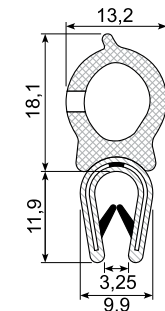
Edge trim: EPDM co-ex
Grip range: 2 - 4 mm
Hardness: SH 65 / density 0,6
Insert: 27 x 0,76 mm wire
Flame retardent NFF16-101
Min. 3.000 m

33.360X



Edge trim: EPDM co-ex
Grip range: 1 - 3 mm
Hardness: SH 70 / density 0,6
Insert: 27 x 0,75 mm wire

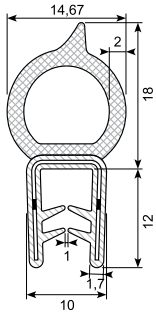
33.365X



Edge trim: PVC+bi sponge rubber
Grip range: 1 - 4 mm
Hardness: SH 75 / 63 / density 0,6 - 0,85
Insert: 26 x 0,47 mm steel

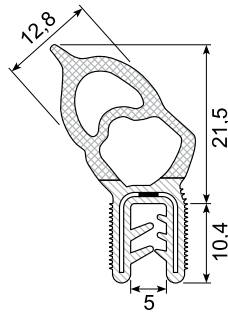
* Skaffevare / Special order item

33.362F *



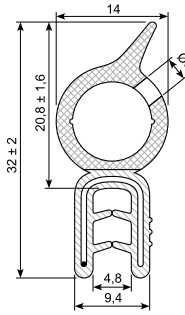
Edge trim: EPDM co-ex
 Grip range: 2 - 4 mm
 Hardness: SH 65 / density 0,6
 Insert: 29 x 0,5 mm steel
 Min. order: 1.000 m
 Flame retardent BS6853 and DIN5510

33.374



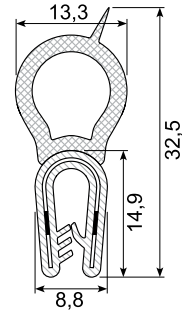
Edge trim: EPDM co-ex
 Grip range: 1,5 - 4 mm
 Hardness: SH 70 / density 0,55
 Insert: 27 x 0,47 mm steel

33.362D *



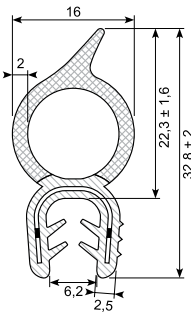
Edge trim: EPDM co-ex
 Grip range: 2 - 4 mm
 Hardness: SH 65 / density 0,6
 Insert: 27 x 0,75 mm wire
 Min. order: 4.029 m

33.360R



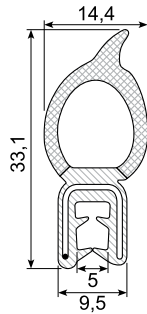
Edge trim: PVC sponge rubber
 Grip range: 1 - 2,5 mm
 Hardness: SH 77 / density 0,65 - 0,75
 Insert: 26 x 0,5 mm stainless 304 steel

33.362E *



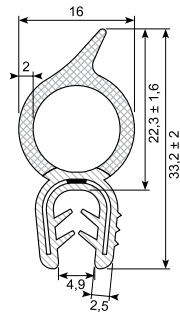
Edge trim: EPDM co-ex
 Grip range: 3 - 5 mm
 Hardness: SH 65 / density 0,6
 Insert: 26 x 0,5 mm steel
 Min. order: 4.050 m

33.362



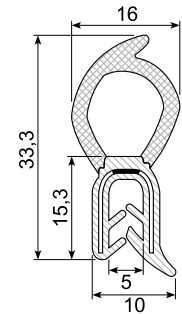
Edge trim: EPDM co-ex
 Grip range: 1 - 3,5 mm
 Hardness: SH 70 / density 0,6
 Insert: 26 x 0,76 mm wire

33.362C *



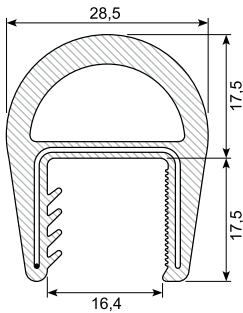
Edge trim: EPDM co-ex
 Grip range: 1,5 - 3 mm
 Hardness: SH 65 / density 0,6
 Insert: 26 x 0,5 mm steel
 Min. order: 4.050 m

33.025



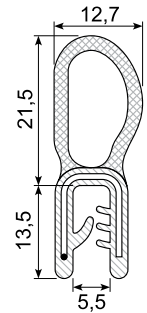
Edge trim: EPDM co-ex
 Grip range: 1,5 - 3,5 mm
 Hardness: SH 70 / density 0,55
 Insert: 27 x 0,47 mm steel

33.367



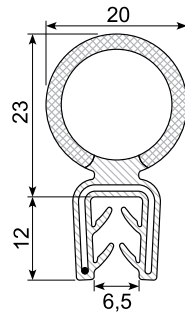
Edge trim: EPDM solid balloon
 Grip range: 16 mm
 Hardness: SH 60
 Insert: 52 x 0,76 mm wire

33.380



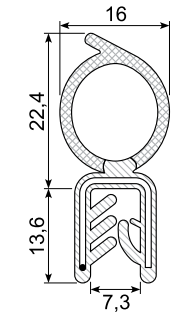
Edge trim: EPDM co-ex
 Grip range: 2 - 4 mm
 Hardness: SH 70 / density 0,55
 Insert: 29 mm wire

33.379



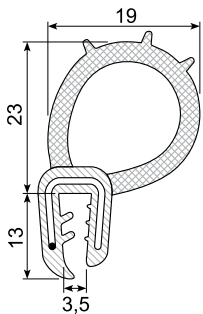
Edge trim: EPDM co-ex
 Grip range: 2,5 - 5 mm
 Hardness: SH 70 / density 0,55
 Insert: 33 mm wire

33.378



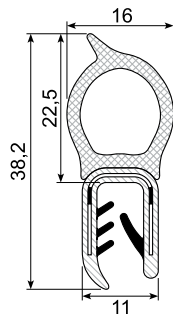
Edge trim: EPDM co-ex
 Grip range: 1,5 - 5 mm
 Hardness: SH 70 / density 0,55
 Insert: 33 mm wire

33.375



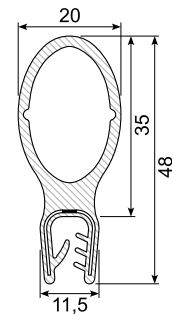
Edge trim: EPDM co-ex
 Grip range: 4 - 5 mm
 Hardness: SH70 / density 0,6 - 0,85
 Insert: 27 mm wire

33.463



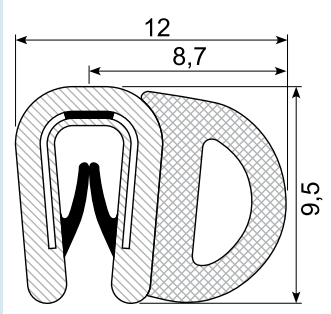
Edge trim: PVC+bi / sponge rubber
 Grip range: 4 - 6 mm
 Hardness: SH78/57 density 0,55
 Insert: 31 x 0,5 mm steel

33.355B



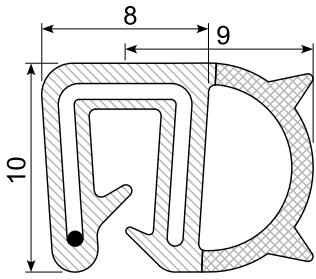
Edge trim: EPDM solid balloon
 Grip range: 3 - 5 mm
 Hardness: SH 60
 Insert: 31 x 0,5 mm steel unbroken

33.408X



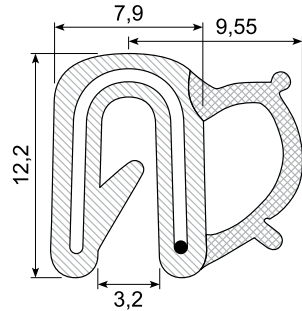
Edge trim: PVC+bi / sponge rubber
 Grip range: 1 - 2 mm
 Hardness: SH 78 / 57 density 0,55
 Insert: 16 x 0,3 mm steel
 * Skaffevare / Special order item

33.404 *



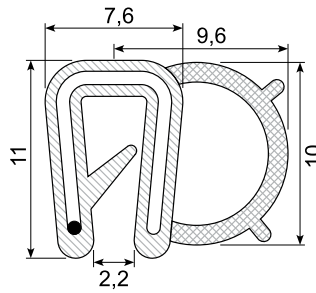
Edge trim: EPDM co-ex
Grip range: 1 - 2,5 mm
Hardness: SH 60 / density 0,55
Insert: 20 x 0,76 mm wire
Min. order: 5.500 m

33.407X



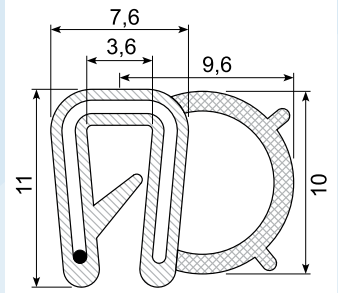
Edge trim: EPDM co-ex
Grip range: 0,8 - 2,5 mm
Hardness: SH 60 / density 0,55
Insert: 22 x 0,75 mm wire

33.403 *



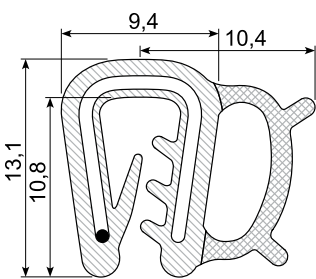
Edge trim: EPDM co-ex
Grip range: 1 - 2 mm
Hardness: SH 70 / density 0,55
Insert: 20 x 0,76 mm wire
Min. order: 15.000 m

33.403F



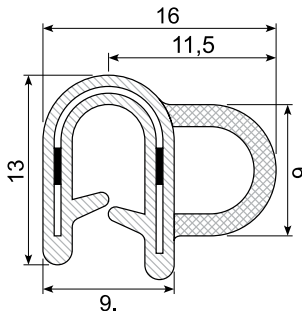
Edge trim: EPDM co-ex
Grip range: 1 - 2 mm
Hardness: SH 60 / density 0,8
Insert: 22 x 0,75 mm wire
Flame retardent EN 45545

33.405 *



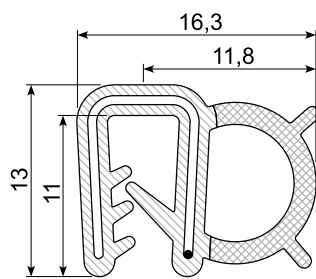
Edge trim: EPDM co-ex
Grip range: 1 - 2 mm
Hardness: SH 70 / density 0,55
Insert: Wire
Min. order: 5.500 m

33.9779



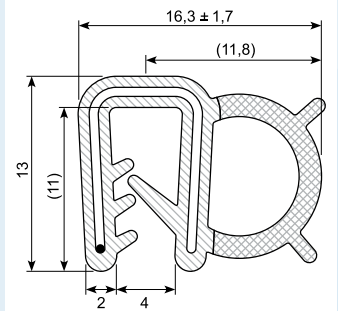
Edge trim: EPDM co-ex
Grip range: 1,5 - 3 mm (1 - 4 mm)
Hardness: SH 70 / density 0,65
Insert: 25 x 0,5 mm steel

33.395A



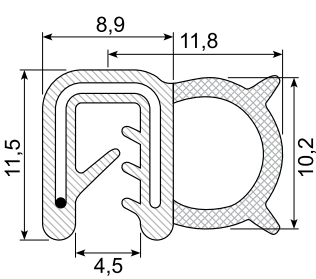
Edge trim: EPDM co-ex
Grip range: 2 mm
Hardness: SH 60 / density 0,6
Insert: 26 x 0,75 mm wire

33.395F



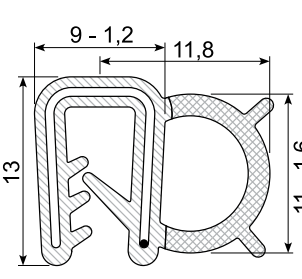
Edge trim: EPDM co-ex
Grip range: 1 - 3 mm
Hardness: SH 60 / density 0,8
Insert: 26 x 0,75 mm wire
Flame retardent EN 45545

33.395X



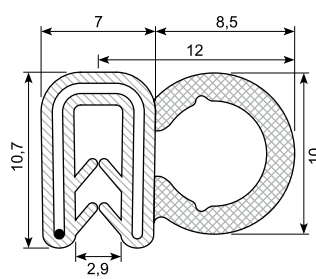
Edge trim: EPDM co-ex
Grip range: 1 - 3 mm
Hardness: SH 70 / density 0,55
Insert: Wire

33.398



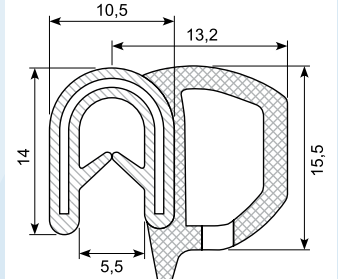
Edge trim: NBR co-ex
Grip range: 2 mm
Hardness: SH 60 / density 0,55
Insert: 27 x 0,76 mm wire
Oil resistant

33.381



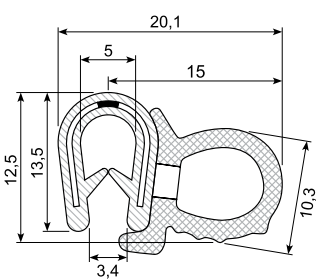
Edge trim: EPDM co-ex
Grip range: 1 - 2,5 mm
Hardness: SH 70 density 0,55
Insert: Wire

33.444A



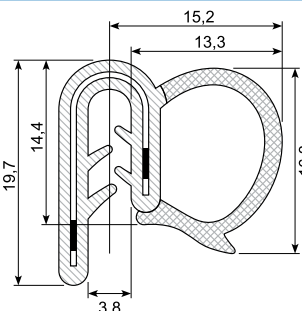
Edge trim: EPDM co-ex
Grip range: 1,5 - 4 mm
Hardness: SH 70 / density 0,55
Insert: Wire
Min. order: 1.000 m

33.372X



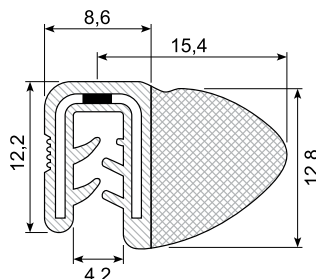
Edge trim: PVC + sponge rubber
Grip range: 1 - 3,5 mm
Hardness: SH 75 / 75 / density 0,6 - 0,85
Insert: 22 x 0,47 mm steel
*** Skaffevare / Special order item**

33.506 *



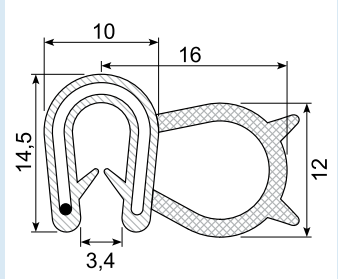
Edge trim: EPDM co-ex
Grip range: 1 - 2,5 mm
Hardness: SH 70 / density 0,6
Insert: 30 x 0,47 mm steel
On demand min. 4.000 m

33.480



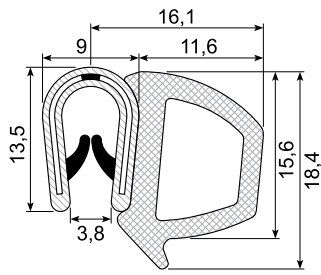
Edge trim: EPDM co-ex
Grip range: 1 - 3,5 mm
Hardness: SH 70 / density 0,55
Insert: Steel

33.396



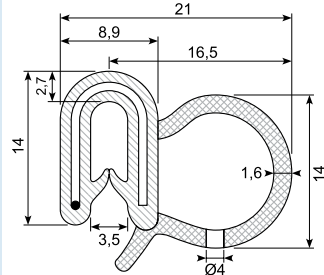
Edge trim: EPDM co-ex
Grip range: 1 - 3 mm
Hardness: SH 70 density 0,6 - 0,85
Insert: 27 mm wire

33.444X



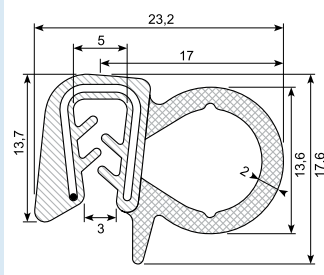
Edge trim: PVC + sponge rubber
Grip range: 1 - 3,5 mm
Hardness: SH75/75/density 0,6-0,86
Insert: 26 x 0,47 mm steel
Red lips

33.319



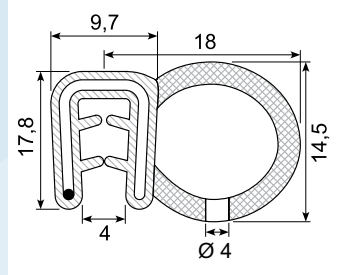
Edge trim: EPDM co-ex
Grip range: 1 - 3 mm
Hardness: SH 70 / density 0,6 0,85
Insert: Wire

33.319F *



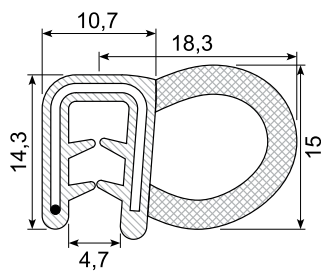
Edge trim: EPDM co-ex
Grip range: 1 - 2 mm
Hardness: SH 70 / density 0,6
Insert: 26 x 0,75 mm wire
Flame retardant NFF16-101
Min. order: 3.000 m

33.323



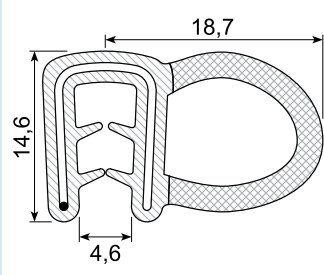
Edge trim: EPDM co-ex
Grip range: 1,5 - 3,5 mm
Hardness: SH 70
density 0,6 - 0,85
Insert: 27 mm

33.324CR



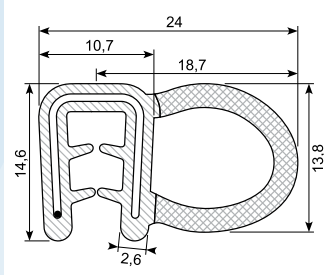
Edge trim: CR co-ex
Grip range: 1 - 3,5 mm
Hardness: SH70 / density 0,6 - 0,85
Insert: 29 mm wire
Conditional oil resistant

33.338 *



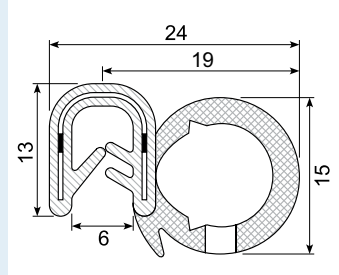
Edge trim: EPDM co-ex
Grip range: 1,5 - 3 mm
Hardness: SH 60 / density 0,55
Insert: 29 x 0,76 mm wire
Min. order: 5.000 m

33.338F



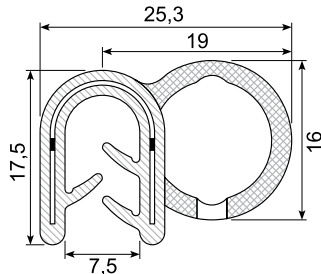
Edge trim: EPDM co-ex
Grip range: 1,5 - 3 mm
Hardness: SH 65 / density 0,60
Insert: 30 x 0,75 mm wire
Flame retardant EN45545

33.336 *



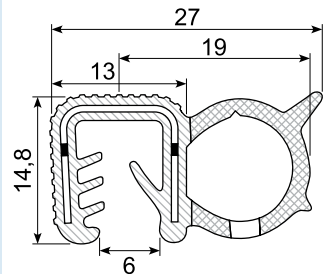
Edge trim: EPDM co-ex
Grip range: 1,5 - 3,5 mm
Hardness: SH 70 / density 0,55
Insert: 26 x 0,5 mm steel
Min. order: 5.000 m

33.450NBR



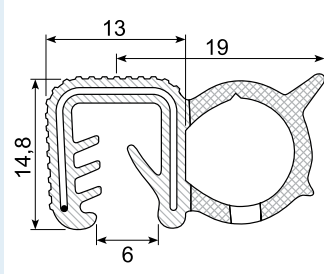
Edge trim: NBR co-ex
Grip range: 4 - 6 mm (3 - 6 mm)
Hardness: SH 70 / density 0,55
Insert: 34 x 0,5 mm steel
Oil resistant

33.457



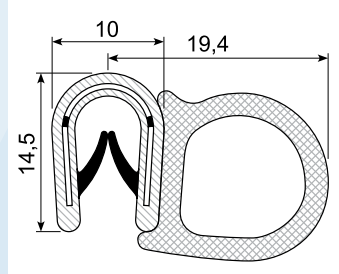
Edge trim: EPDM co-ex
Grip range: 5 - 6 mm
Hardness: SH 60 / density 0,6
Insert: 32 x 0,6 mm steel
unbroken

33.457ST



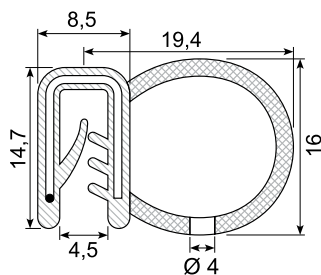
Edge trim: EPDM co-ex
Grip range: 5 - 6 mm
Hardness: SH 60 / density 0,55
Insert: 31 x 0,76 mm wire

33.449



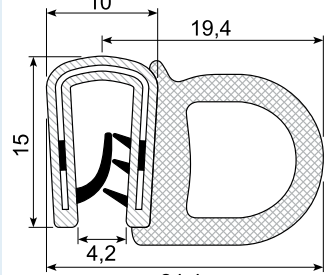
Edge trim: PVC+bi / sponge rubber
Grip range: 1 - 4 mm
Hardness: SH78/57 / density 0,55
Insert: 26 x 0,5 mm steel

33.321



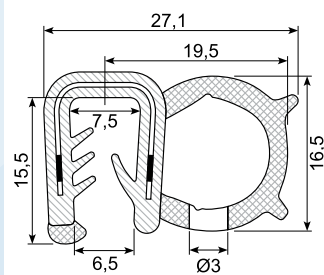
Edge trim: EPDM co-ex
Grip range: 1 - 3,5 mm
Hardness: SH 70 / density 0,6 - 0,85
Insert: 27 mm wire

33.452R



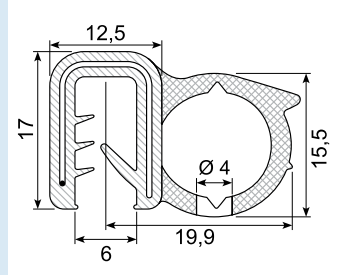
Edge trim: PVC+bi / sponge rubber
Grip range: 2 - 4 mm
Hardness: SH 78 / 65
density 0,65 - 0,75
Insert: 29 x 0,48 mm stainless steel

33.457S-6



Edge trim: EPDM co-ex
Grip range: 3 - 6 mm
Hardness: SH 70 / density 0,6
Insert: 32 x 0,47 steel

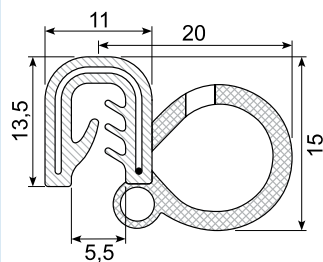
33.024



Edge trim: EPDM co-ex
Grip range: 2 - 4 mm (2 - 5 mm)
Hardness: SH 70 / density 0,55
Insert: 33 mm wire

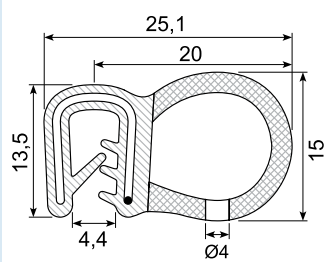
* Skaffevare / Special order item

33.454X



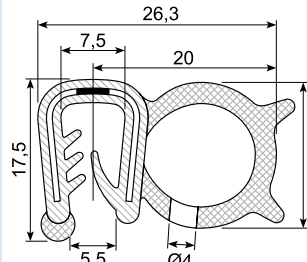
Edge trim: EPDM co-ex
Grip range: 2 mm
Hardness: SH 70 / density 0,55
Insert: 27 x 0,76 mm wire

33.335



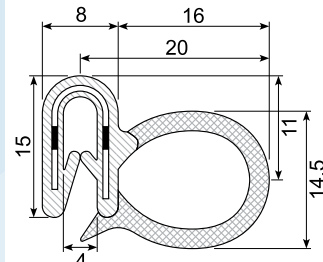
Edge trim: EPDM co-ex
Grip range: 1,5 - 3,5 mm
Hardness: SH70/density 0,55-0,85
Insert: 27 mm wire

33.457S-4 *



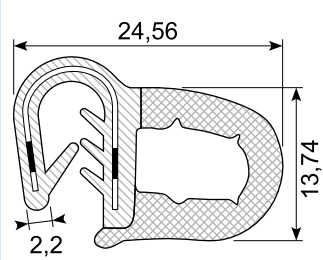
Edge trim: EPDM co-ex
Grip range: 2 - 4 mm
Hardness: SH 70 / density 0,6
Insert: Steel
Min. order: 3.000 m

33.333 *



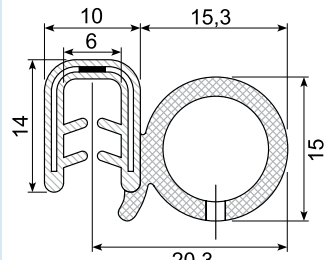
Edge trim: EPDM co-ex
Grip range: 1 - 3 mm
Hardness: SH 65 / density 0,6
Insert: 29 x 0,5 mm steel
Min. order: 4.000 m

33.451E



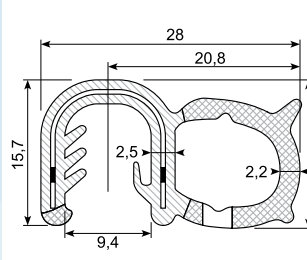
Edge trim: EPDM co-ex

33.020



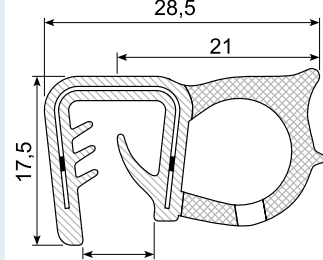
Edge trim: EPDM co-ex
Grip range: 1,5 - 3 mm
Hardness: SH 70 / density 0,55
Insert: 27 x 0,47 mm steel

33.332X *



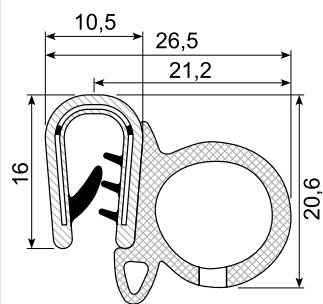
Edge trim: EPDM co-ex
Grip range: 5 - 6 mm
Hardness: SH 70 / density 0,6
Insert: 33 x 0,5 steel
Min. order: 5.000 m

33.470



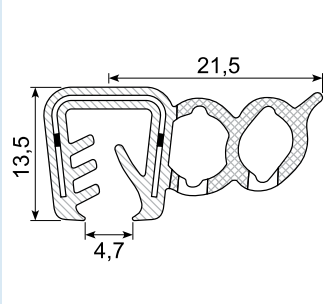
Edge trim: EPDM co-ex
Grip range: 5 - 8 mm
Hardness: SH 70 / density 0,6
Insert: 36 x 0,5 mm steel

33.339X



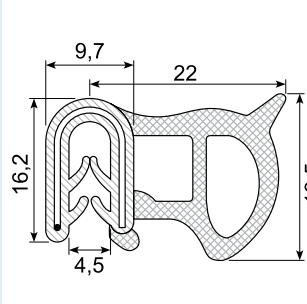
Edge trim: PVC+bi / sponge rubber
Grip range: 2,5 - 4 mm
Hardness: SH 78 / 65
Insert: Steel

33.456



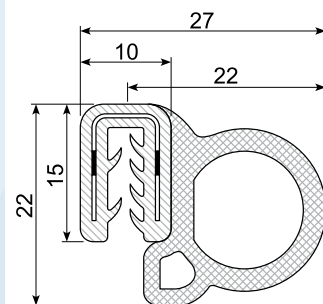
Edge trim: EPDM co-ex
Grip range: 5 - 6 mm
Hardness: SH 70 / density 0,6
Insert: 30 x 0,6 mm steel

33.12116 *



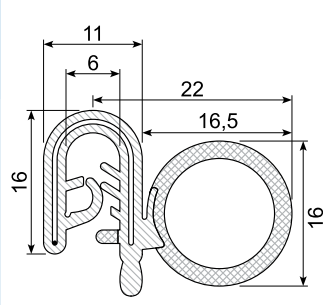
Edge trim: EPDM co-ex
Grip range: 1 - 4 mm
Hardness: SH 70 / density 0,6 - 0,85
Insert: 29 mm wire
Min. order: 3.000 m

33.328 *



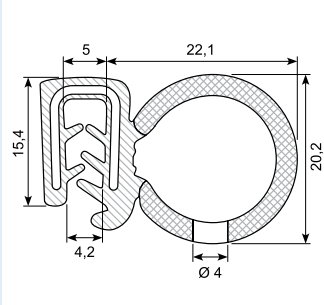
Edge trim: EPDM co-ex
Grip range: 1,5 - 2,5 mm
Hardness: SH 65 / density 0,6
Insert: 29 x 0,5 mm steel
Min. order: 4.000 m

33.022



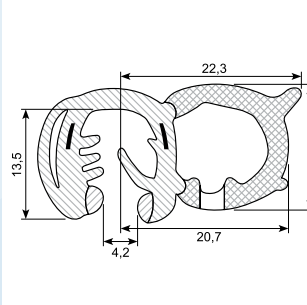
Edge trim: EPDM co-ex
Grip range: 1,5 - 3 mm (1,5 - 4 mm)
Hardness: SH 70 / density 0,6
Insert: 33 mm wire

33.340



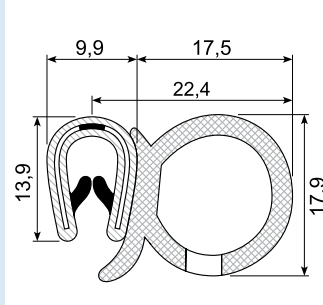
Edge trim: EPDM co-ex
Grip range: 2 - 4 mm
Hardness: SH 70
Insert: 29 x 0,74 mm steel

33.332B



Edge trim: EPDM co-ex
Grip range: 3 - 6 mm
Hardness: SH 70 / density 0,55
Insert: 32 mm Steel

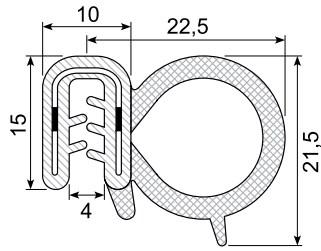
33.453X



Edge trim: PVC + sponge rubber
Grip range: 1 - 3,5 mm
Hardness: SH75/75 density 0,6-0,85
Insert: 26 x 0,47 mm steel

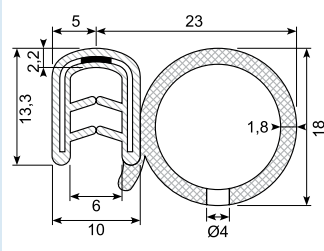
* Skaffevare / Special order item

33.320 *



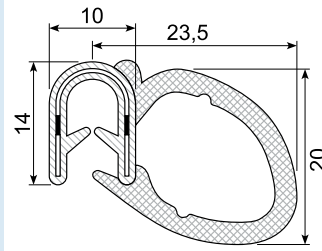
Edge trim: EPDM co-ex
Grip range: 1 - 2,5 mm
Hardness: SH 65 / density 0,6
Insert: 29 x 0,5 mm steel
Min. order: 4.000 m

33.019



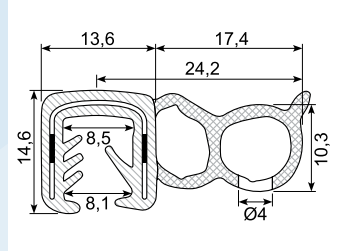
Edge trim: EPDM co-ex
Grip range: 1 - 4 mm
Hardness: SH 70 / density 0,6 - 0,85
Insert: Steel

33.447



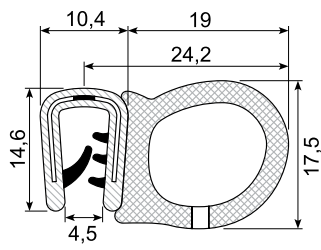
Edge trim: EPDM co-ex
Grip range: 2,5 - 5 mm
Hardness: SH 70 / density 0,6
Insert: Steel

33.455



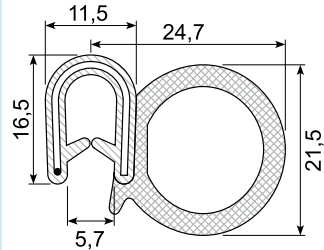
Edge trim: EPDM co-ex
Grip range: 4 - 6 mm
Hardness: SH 70 / density 0,6
Insert: Steel unbroken

33.452X



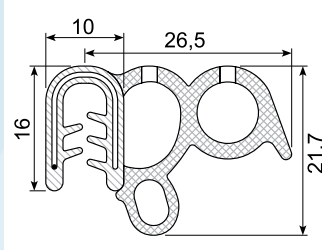
Edge trim: PVC+bi / sponge rubber
Grip range: 2 - 4 mm
Hardness: SH 78 / 65
density 0,65 - 0,75
Insert: 29 x 0,48 mm

33.326



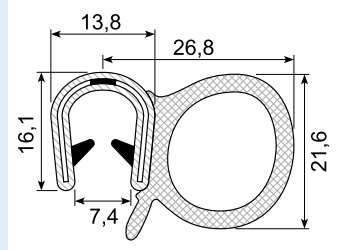
Edge trim: EPDM co-ex
Grip range: 1,5 - 4 mm
Hardness: SH70/density 0,55 - 0,85
Insert: 33 mm wire

33.464



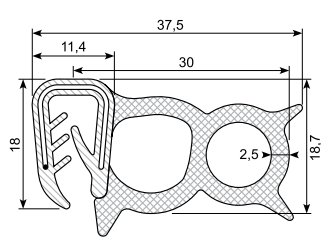
Edge trim: EPDM co-ex
Grip range: 1,5 - 3,5 mm
Hardness: SH 70 / density 0,6
Insert: 31 x 0,75 mm wire

33.331



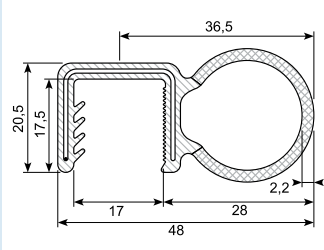
Edge trim: PVC + sponge rubber
Grip range: 6 - 8 mm
Hardness: SH75/75 density 0,6-0,85
Insert: 30 x 0,47 mm steel
White lips

33.456F



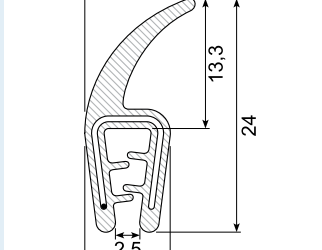
Edge trim: EPDM co-ex
Grip range: 2 - 4 mm
Hardness: SH 65 / density 0,6
Insert: 31 x 0,75 mm wire
Flame retardent NFF16-101
Min. order: 3.000 m

33.478



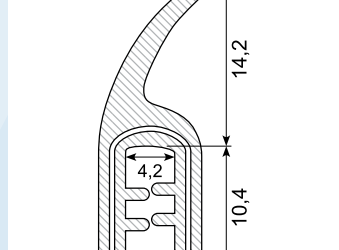
Edge trim: EPDM co-ex
Grip range: 16 mm
Hardness: SH 60 / density 0,6
Insert: 52 x 0,76 mm wire

33.458X



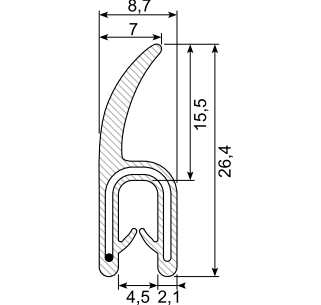
Edge trim: EPDM solid lip
Grip range: 1 - 2,5 mm
Hardness: SH 60
Insert: 26 x 0,76 mm wire

33.458A



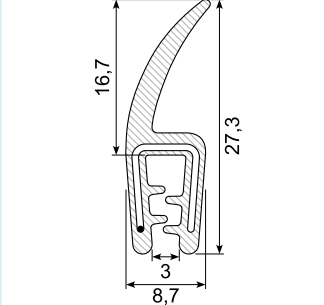
Edge trim: EPDM co-ex
Grip range: 1 - 3 mm
Hardness: SH 70
Insert: Wire

33.465C



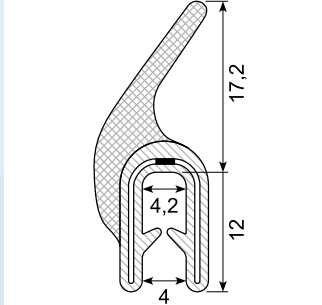
Edge trim: EPDM solid lip
Grip range: 2 - 4 mm
Hardness: SH 70
Insert: 27 x 0,76 mm wire

33.465X



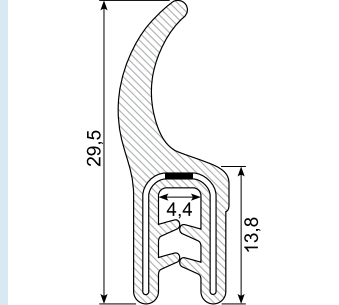
Edge trim: EPDM solid lip
Grip range: 1 - 3 mm
Hardness: SH 60
Insert: 26 x 0,76 mm wire

33.479



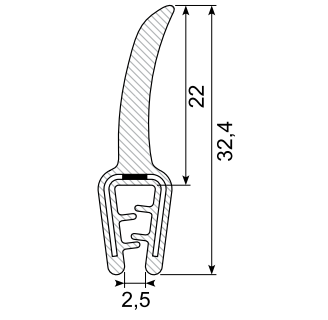
Edge trim: EPDM co-ex
Grip range: 2 - 4 mm
Hardness: SH 70 / density 0,6
Insert: Steel

33.465B *



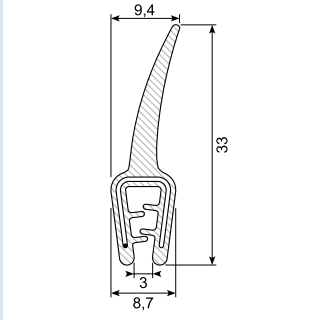
Edge trim: EPDM solid lip
Grip range: 1 - 3 mm
Hardness: SH 70
Insert: 27 x 0,5 mm steel unbroken
Min. ordre: 3.000 m
* Skaffevare / Special order item

33.459P



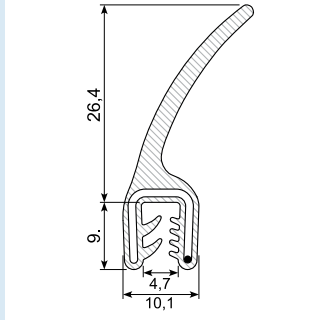
Edge trim: PVC solid lip
Grip range: 1 - 2,5 mm
Hardness: SH 57
Insert: 24 x 0,5 mm steel unbroken

33.459X



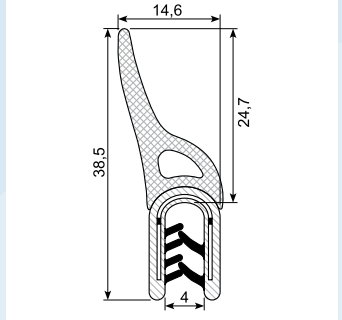
Edge trim: EPDM solid lip
Grip range: 1 - 2,5 mm
Hardness: SH 60
Insert: 26 x 0,76 mm wire

33.459B



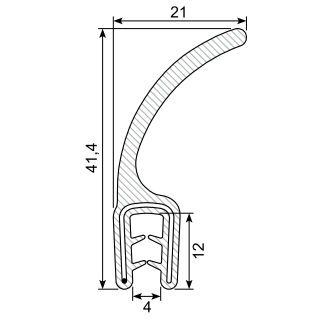
Edge trim: EPDM solid lip
Grip range: 1,5 - 3 mm
Hardness: SH 70
Insert: Wire

33.475



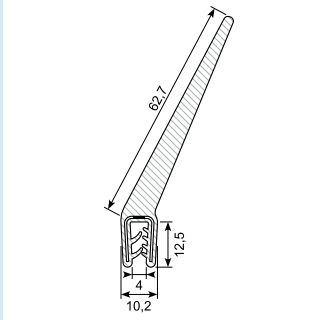
Edge trim: PVC + bi / sponge rubber
Grip range: 2 - 4 mm
Hardness: SH 78 / 57 / density 0,55
Insert: Steel

33.459C *



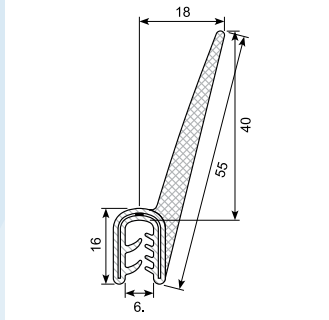
Edge trim: EPDM co-ex, solid lip
Grip range: 2 - 4 mm
Hardness: SH 60
Insert: 29 x 0,76 wire
Min. order: 6.000 m

33.382



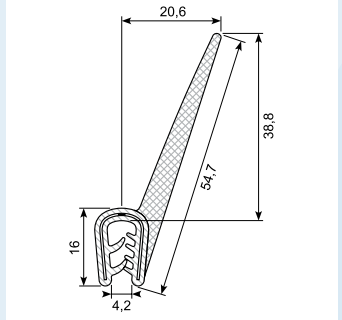
Edge trim: EPDM co-ex, solid lip
Grip range: 1 - 3,5 mm
Hardness: SH 70
Insert: Steel

33.482



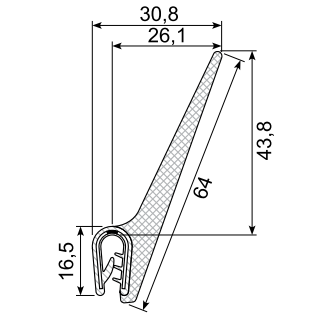
Edge trim: EPDM co-ex, solid lip
Grip range: 2 - 4,5 mm
Hardness: SH 70
Insert: 30 x 0,47 mm steel

33.483



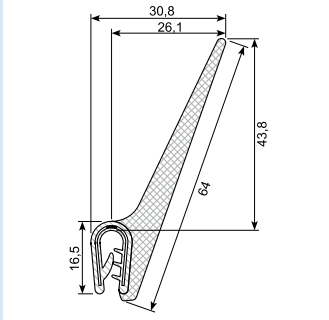
Edge trim: EPDM co-ex, solid lip
Grip range: 1 - 2,5 mm
Hardness: SH 70
Insert: 30 x 0,47 mm steel

33.460-2C



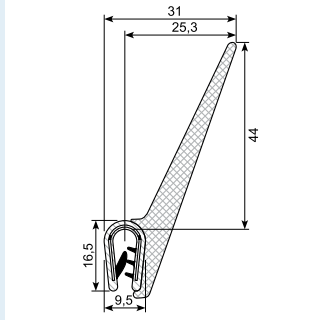
Edge trim: EPDM co-ex
Grip range: 1 - 2,5 mm
Hardness: SH 70 / density 0,6
Insert: 31 x 0,5 mm steel unbroken

33.460-2F *



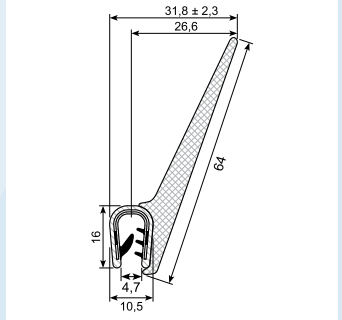
Edge trim: EPDM co-ex
Grip range: 1 - 2,5 mm
Hardness: SH 65 / density 0,6
Insert: 31 x 0,5 mm steel
Flame retardant NFF16-101
Min. order: 3.000 m

33.460-2



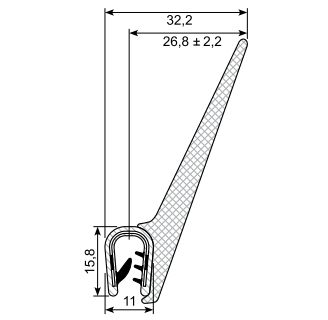
Edge trim: PVC+bi / sponge rubber
Grip range: 1 - 2,5 mm
Hardness: SH 78/57 / density 0,6
Insert: 31 x 0,5 mm steel

33.460-4



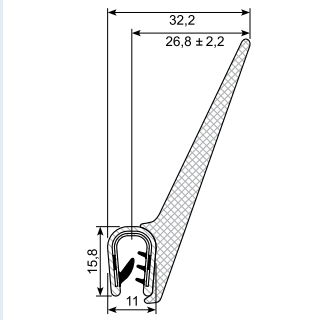
Edge trim: PVC+bi / sponge rubber
Grip range: 2 - 4 mm
Hardness: SH 78/57 / density 0,6
Insert: 31 x 0,5 mm steel

33.460-6



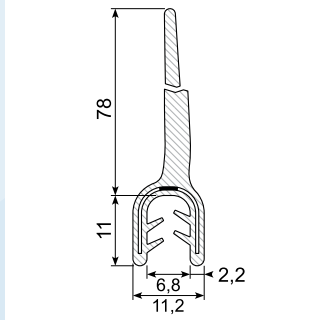
Edge trim: PVC+bi / sponge rubber
Grip range: 4 - 6 mm 25 m
Hardness: SH 78/57 / density 0,6
Insert: 31 x 0,5 mm steel

33.460-6A



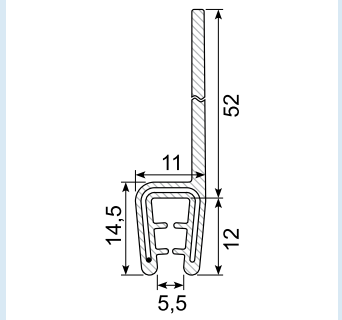
Edge trim: PVC+bi / sponge rubber
Grip range: 4 - 6 mm 50 m
Hardness: SH 78/57 / density 0,6
Insert: 31 x 0,5 mm steel

33.472



Edge trim: EPDM solid lip
Grip range: 2 - 4 mm
Hardness: SH 70
Insert: 29 x 0,5 mm unbroken

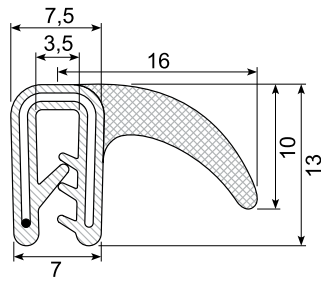
33.471



Edge trim: EPDM solid lip
Grip range: 3 - 4 mm
Hardness: SH 60 solid lip
Insert: 29 x 0,76 mm wire

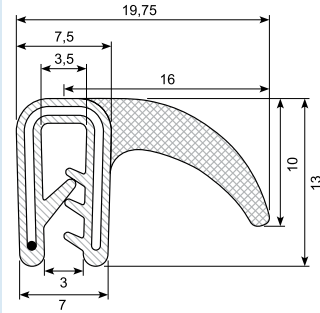
* Skaffevare / Special order item

33.443 *



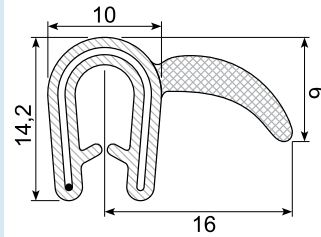
Edge trim: EPDM co-ex
Grip range: 1 - 2 mm
Hardness: SH 70 / density 0,55
Insert: Wire
Min. order: 5.500 m

33.443X



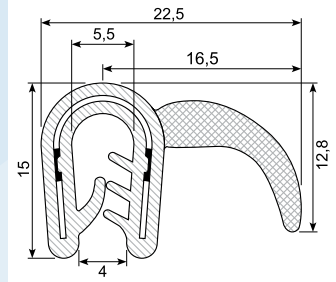
Edge trim: EPDM co-ex
Grip range: 1 - 2 mm
Hardness: SH 60 / density 0,6
Insert: Wire

33.467



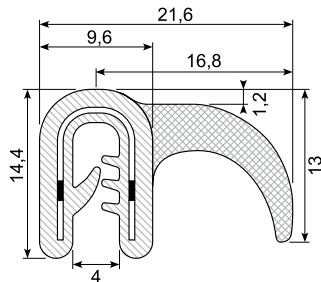
Edge trim: EPDM co-ex
Grip range: 1,5 - 3,5 mm
Hardness: SH 70 / density 0,65
Insert: 29 x 0,76 mm wire
Min. order: 6.000 m

33.383



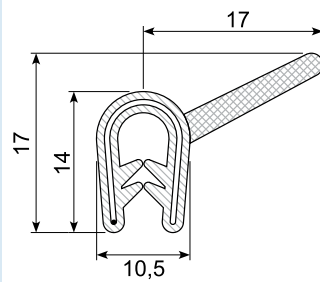
Edge trim: EPDM co-ex
Grip range: 2 - 4 mm
Hardness: SH 70 / density 0,6
Insert: 30 x 0,5 steel

33.385 *



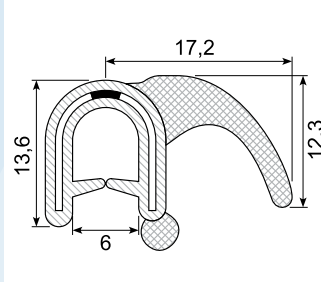
Edge trim: EPDM co-ex
Grip range: 1 - 2,5 mm
Hardness: SH 70 / density 0,55
Insert: 26 x 0,5 steel unbroken
Min. order: 5.000 m

33.466 *



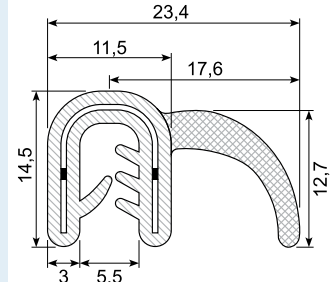
Edge trim: EPDM solid lip
Grip range: 1 - 2,5 mm
Hardness: SH 60
Insert: 26 x 0,76 mm wire
Min. order: 6.000 m

33.474



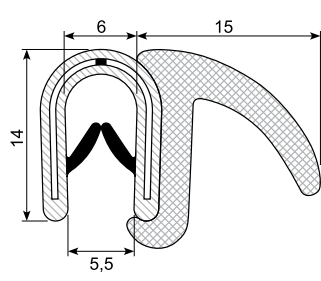
Edge trim: EPDM co-ex
Grip range: 2 - 5 mm
Hardness: SH 70 / density 0,6 - 0,85
Insert: 27 mm steel

33.384 *



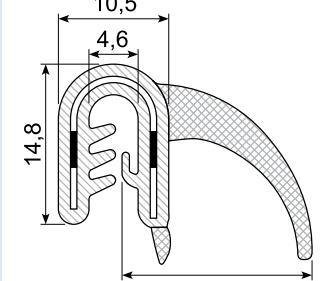
Edge trim: EPDM co-ex
Grip range: 1,25 - 2 mm
Hardness: SH 75 / density 0,6
Insert: 29 x 0,5 mm steel broken
Min. order: 5.000 m

33.439A



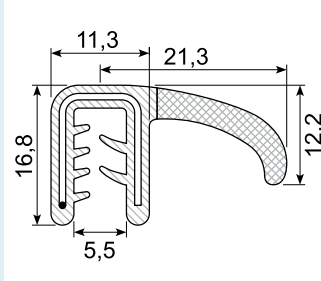
Edge trim: PVC+bi / sponge rubber
Grip range: 1 - 4 mm
Hardness: SH 78/57 / density 0,6
Insert: 26 x 0,5 mm steel
Yellow lips

33.026



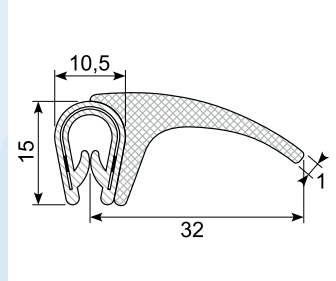
Edge trim: EPDM co-ex
Grip range: 1,5 - 2 mm (1 - 3,5 mm)
Hardness: SH 70 / density 0,55
Insert: 26 x 0,76 mm wire

33.436



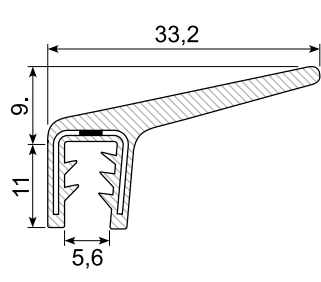
Edge trim: EPDM co-ex
Grip range: 2 - 4 mm
Hardness: SH 70 / density 0,6
Insert: 33 mm wire

33.442



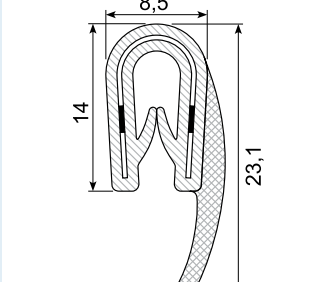
Edge trim: EPDM co-ex
Grip range: 1 - 3 mm
Hardness: SH 70 / density 0,65
Insert: 29 mm steel

33.473



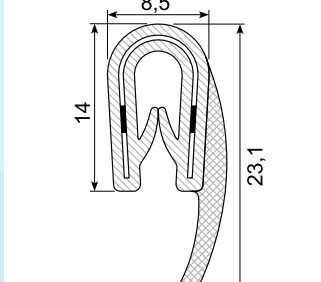
Edge trim: EPDM co-ex
Grip range: 2 - 5 mm
Hardness: SH 70
Insert: 27 x 0,47 mm steel

33.462 *



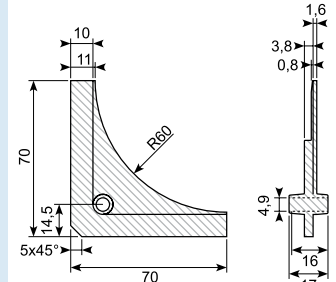
Edge trim: PVC / sponge rubber
Grip range: 1 - 2,5 mm
Hardness: SH 78/density 0,65 - 0,75
Insert: 25 x 0,48 mm steel
Min. order: 1.000 m

33.462R



Edge trim: PVC / sponge rubber
Grip range: 1 - 2,5 mm
Hardness: SH 78/density 0,65 - 0,75
Insert: 25 x 0,48 mm stainless steel

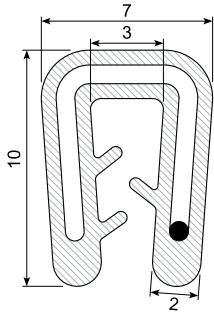
33.000



Nylon hjørnestykke
PA6 + 30% GF
Sikrer korrekt hjørneradius

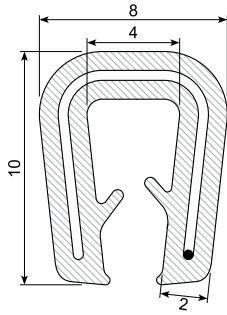
* Skaffevare / Special order item

33.311



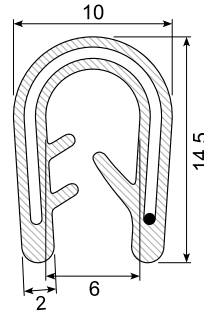
Edge trim: Black silicone
Grip range: 1 - 2 mm
Hardness: SH 60
Insert: Wire 18 x 0,76 mm
Heat resistant 200° C

33.510



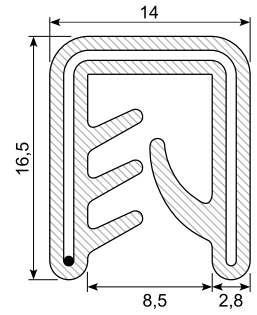
Edge trim: Black silicone
Grip range: 1 - 3 mm
Hardness: SH 60
Insert: Wire 26 x 0,76 mm
Heat resistant 200° C

33.312



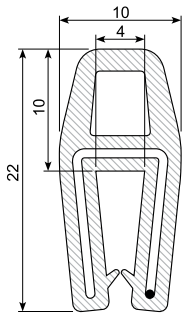
Edge trim: Silicone
Grip range: 2 - 4 mm
Hardness: SH 60
Insert: Wire
Heat resistant 200° C

33.429



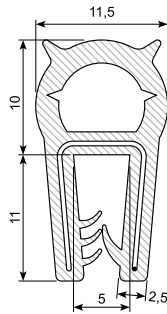
Edge trim: Black silicone
Grip range: 3 - 6 mm (5 - 7 mm)
Hardness: SH 60
Insert: Wire 39 x 0,76 mm
Heat resistant 200° C

33.511



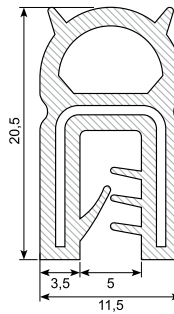
Edge trim: Silicone
Grip range: 1,5 - 4 mm
Hardness: SH 50
Insert: Wire
Heat resistant 200° C

33.512



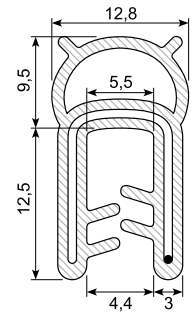
Edge trim: Silicone
Grip range: 1 - 3,5 mm
Hardness: SH 50
Insert: Wire
Heat resistant 200° C

33.513



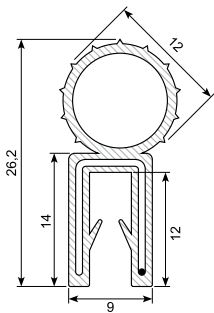
Edge trim: Silicone
Grip range: 1,5 - 3,5 mm
Hardness: SH 50
Insert: Wire
Heat resistant 200° C

33.431A



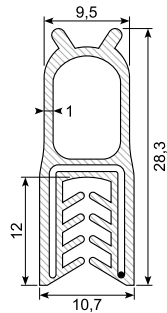
Edge trim: Silicone. Light gray
RAL 7035
Grip range: 2 - 4 mm
Hardness: SH 60/60 Solid balloon
Insert: Wire
Heat resistant 200°C. FDA conform

33.514



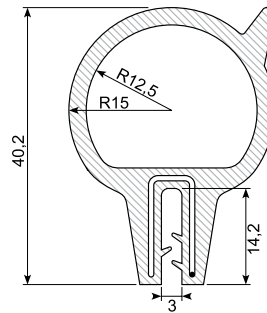
Edge trim: Silicone
Grip range: 1,5 - 3 mm
Hardness: SH 75
Insert: Wire
Heat resistant 200° C

33.515



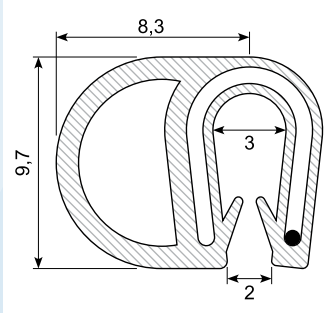
Edge trim: Silicone
Grip range: 1 - 2,5 mm
Hardness: SH 75
Insert: Wire
Heat resistant 200° C

33.516



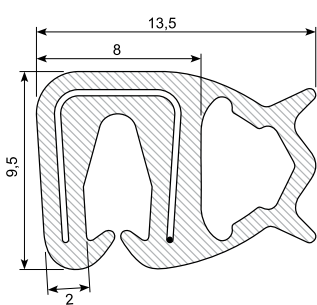
Edge trim: Silicone
Grip range: 2 - 3 mm
Hardness: SH 75
Insert: Wire
Heat resistant 200° C

33.517



Edge trim: Silicone
Grip range: 2 - 3 mm
Hardness: SH 50
Insert: Wire
Heat resistant 200° C

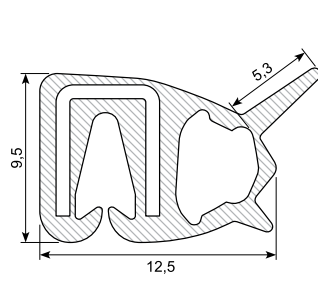
33.518 *



Edge trim: White silicone
Grip range: 1,5 - 2,5 mm
Hardness: SH 60
Insert: Wire
Min. order: 500 m

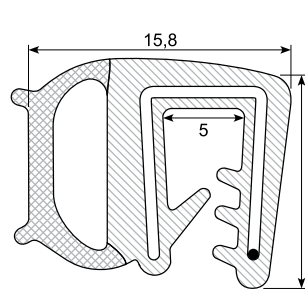
* Skaffevare / Special order item

33.519



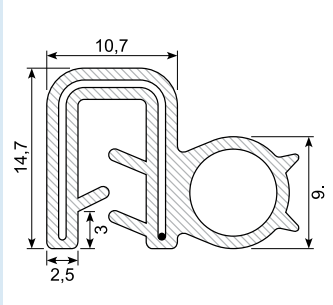
Edge trim: Silicone
Grip range: 1 - 2 mm
Hardness: SH 45
Insert: Wire
Heat resistant 200° C

33.520 *



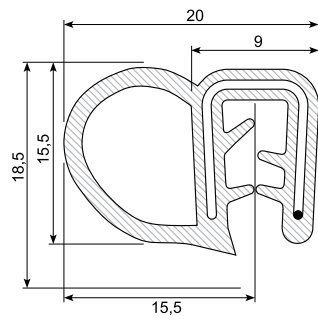
Edge trim: Silicone, co-ex.
Color: Black and redbrown
Grip range: 1,5 - 3 mm
Hardness: SH 60 / density 0,4
Insert: Wire
Min. order: 500 m

33.521



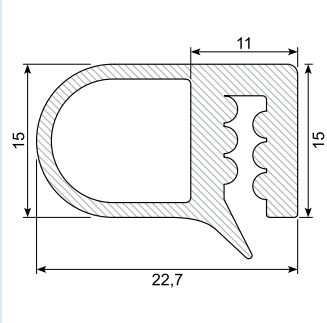
Edge trim: Silicone
Grip range: 1,5 - 4,5 mm
Hardness: SH 75
Insert: Wire
Heat resistant 200° C

33.522 *



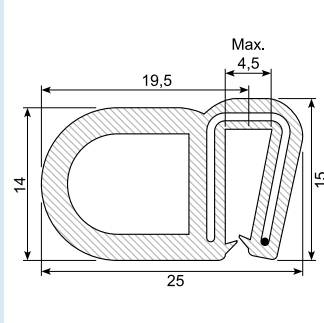
Edge trim: Silicone
Grip range: 1 - 2,5 mm
Insert: Wire
Heat resistant 200° C
Min. order: 2.000 m

33.523 *



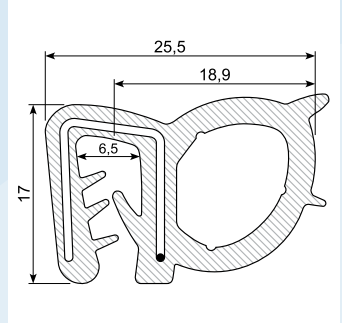
Edge trim: Silicone
Grip range: 1,5 - 2,5 mm
Hardness: SH 60
Insert: Wire
Heat resistant 200° C
Min. order: 500 m

33.524



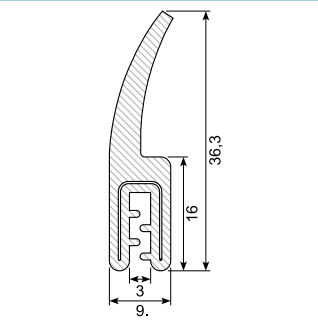
Edge trim: Silicone
Grip range: 2 - 4 mm
Hardness: SH 50
Insert: Wire
Heat resistant 200° C

33.525



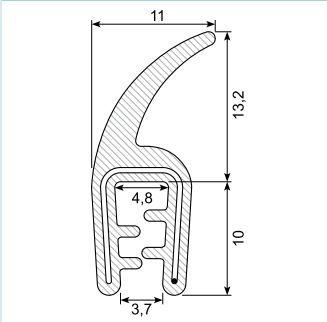
Edge trim: Silicone
Grip range: 3 - 6 mm
Hardness: SH 50
Insert: Wire
Heat resistant 200° C

33.526 *



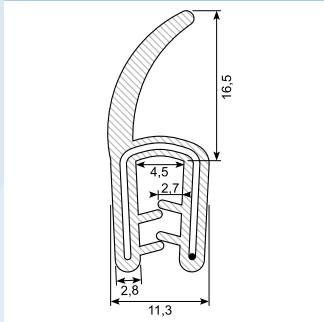
Edge trim: Silicone
Grip range: 1 - 2,5 mm
Hardness: SH 65
Insert: Wire
Heat resistant 200° C

33.527 *



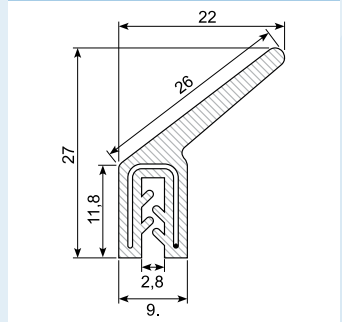
Edge trim: Silicone
Grip range: 1 - 2,5 mm
Hardness: SH 65
Insert: Wire
Heat resistant 200° C

33.528 *



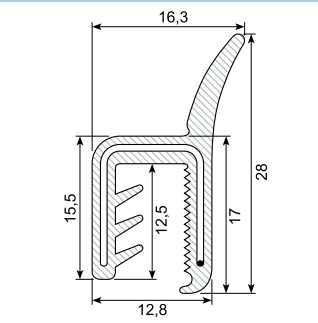
Edge trim: Silicone
Grip range: 1 - 3 mm
Hardness: SH 60
Insert: Wire
Heat resistant 200° C

33.529 *



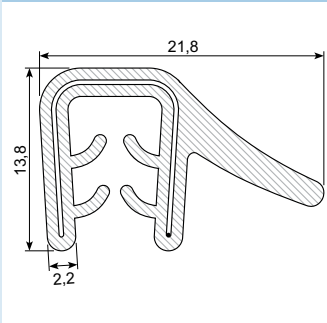
Edge trim: Silicone
Grip range: 1 - 1,5 mm
Hardness: SH 80
Insert: Wire
Heat resistant 200° C
Min. order: 500 m

33.530 *



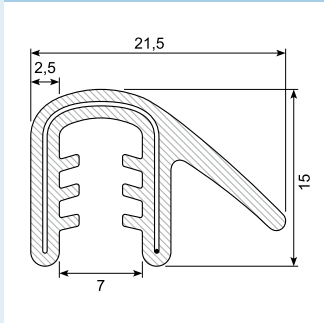
Edge trim: Silicone
Grip range: 3,5 - 5 mm
Hardness: SH 70
Insert: Wire
Heat resistant 200° C
DIN 5510-2 S4ST2

33.531 *



Edge trim: Silicone
Grip range: 2,5 - 5,5 mm
Hardness: SH 70
Insert: Wire
Heat resistant 200° C
Min. order: 500 m

33.532 *



Edge trim: Silicone
Grip range: 5,5 - 6,5 mm
Hardness: SH 65
Insert: Wire
Heat resistant 200° C

POM-profiler / POM edge trims

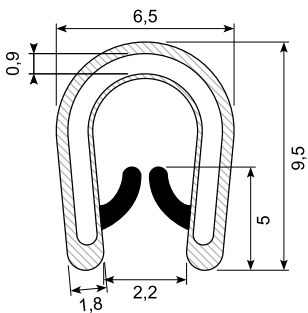
POM-profiler

- En meget mere fleksibel opbygning med dets hukommelseffekt
- POM-profiler vejer meget mindre end profiler med metal indlæg
- POM-profiler kan ikke ruste eller oxidere
- Fremstillingen af POM-profiler er meget nemmere end profiler med metal indlæg
- Større sikkerhed ved montering. Man undgår rifter fra skarpe metalstykker
- POM-indlæg er ikke ledende som metal og kan derfor anvendes til beskyttelse eller overflade materiale

POM-profiles

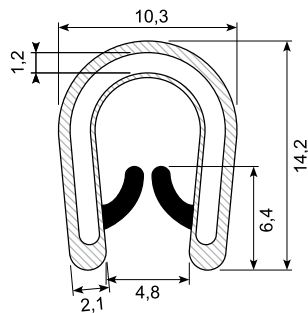
- A much more flexible structure with its memory effect
- POM-supported profiles is much lighter than metal-based profiles
- Over time, no metallic corrosion and oxidize
- Processing of manufacturing for POM-backed profiles is much easier than metal-backed profiles
- During installation does not damage human health such as sinking or cutting
- POM is not conductive support material, such as metal supports therefore wherever used in protection and coating material

33.409POM



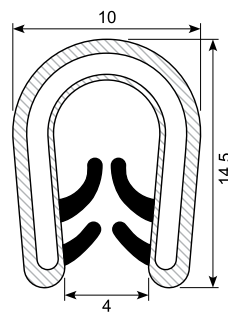
Edge trim: PVC + bi
Grip range: 0,5 - 2 mm
Hardness: SH 75 / 65
Insert: POM plastic
No rust. Easy cutting.

33.308POM



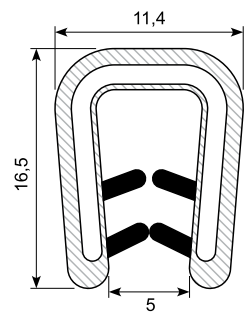
Edge trim: PVC + bi
Grip range: 2 - 4,5 mm
Hardness: SH 75 / 65
Insert: POM plastic
No rust. Easy cutting.

33.200POM



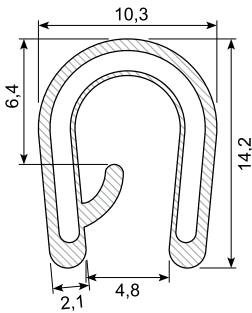
Edge trim: PVC + bi
Grip range: 1 - 4 mm
Hardness: SH 75 / 65
Insert: POM plastic
No rust. Easy cutting.

33.201POM



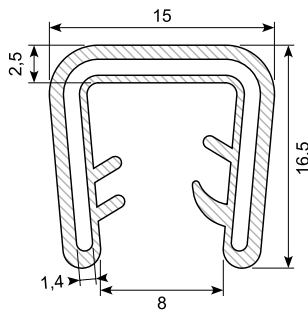
Edge trim: PVC + bi
Grip range: 2 - 4 mm
Hardness: SH 75 / 65
Insert: POM plastic
No rust. Easy cutting.

33.202POM



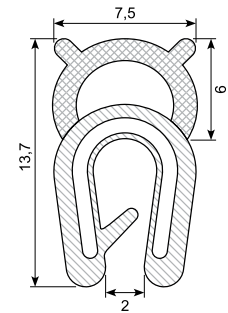
Edge trim: PVC + bi
Grip range: 4 - 6 mm
Hardness: SH 75 / 65
Insert: POM plastic
No rust. Easy cutting.

33.203POM



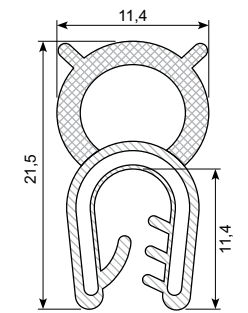
Edge trim: PVC + bi
Grip range: 6 - 8 mm
Hardness: SH 75 / 65
Insert: POM plastic
No rust. Easy cutting.

33.210POM



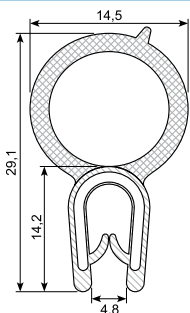
Edge trim: TPE co-ex
Grip range: 1 - 2 mm
Hardness: SH 75 / density 0,65
Insert: POM plastic
No rust. Easy cutting.

33.211POM



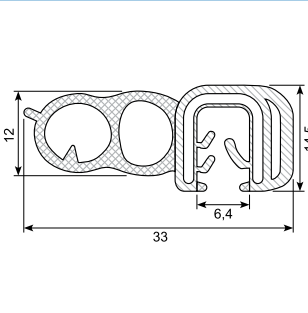
Edge trim: TPE co-ex
Grip range: 1 - 4 mm
Hardness: SH 75 / density 0,65
Insert: POM plastic
No rust easy cutting

33.212POM



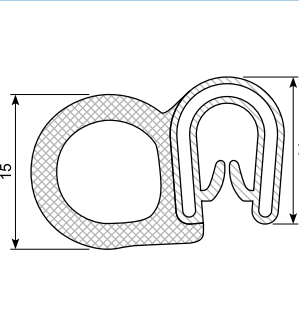
Edge trim: TPE co-ex
Grip range: 2 - 4 mm
Hardness: SH 75 / density 0,65
Insert: POM plastic
No rust easy cutting

33.218POM



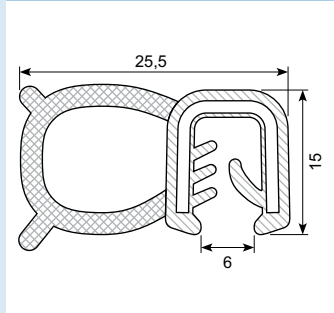
Edge trim: TPE co-ex
Grip range: 3 - 5 mm
Hardness: SH 75 / density 0,65
Insert: POM plastic
No rust easy cutting

33.216POM



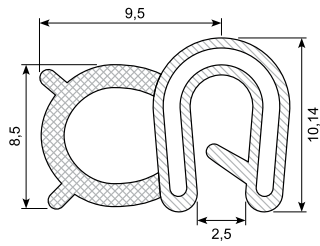
Edge trim: TPE co-ex
Grip range: 1 - 4 mm
Hardness: SH 75 / density 0,65
Insert: POM plastic
No rust easy cutting

33.217POM



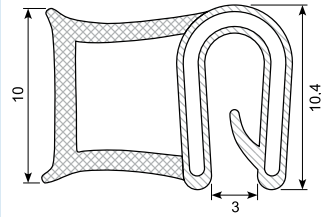
Edge trim: TPE co-ex
Grip range: 4 - 6 mm
Hardness: SH 75 / density 0,65
Insert: POM plastic
No rust easy cutting

33.213POM



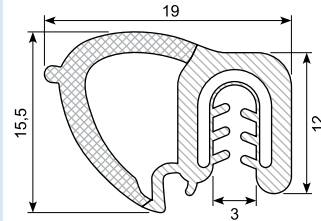
Edge trim: TPE co-ex
 Grip range: 1 - 2 mm
 Hardness: SH 75 / density 0,65
 Insert: POM plastic
 No rust easy cutting

33.214POM



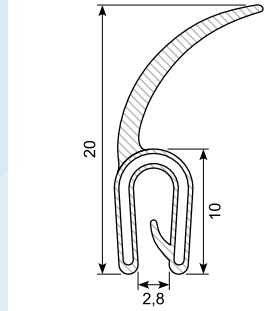
Edge trim: TPE co-ex
 Grip range: 1 - 2 mm
 Hardness: SH 75 / density 0,65
 Insert: POM plastic
 No rust easy cutting

33.215POM



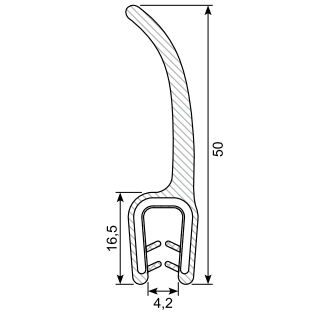
Edge trim: TPE co-ex
 Grip range: 1 - 2 mm
 Hardness: SH 75 / density 0,65
 Insert: POM plastic
 No rust easy cutting

33.220POM



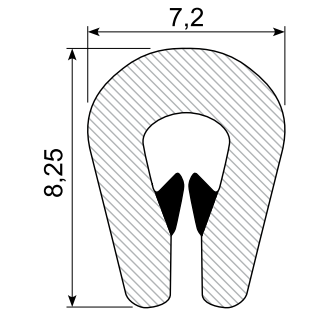
Edge trim: TPE
 Grip range: 1 - 2 mm
 Hardness: SH 75 / density 0,65
 Insert: POM plastic
 No rust easy cutting

33.221POM



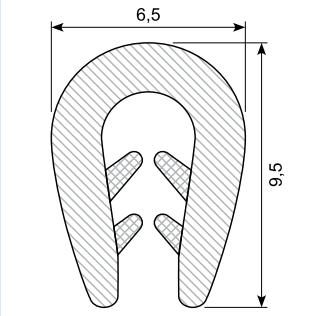
Edge trim: TPE
 Grip range: 2 - 4 mm
 Hardness: SH 75 solid
 Insert: POM plastic
 No rust easy cutting

33.424 *



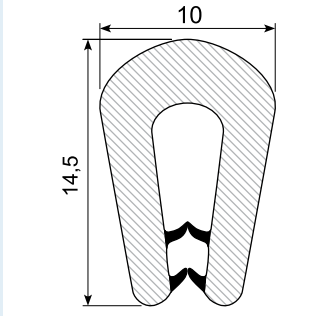
Edge trim: TPE + bi
 Grip range: 0,8 - 2,5 mm
 Hardness: SH 87 / 65 - 70
 Insert: None
 Alternative 33.424TPE

33.424TPE



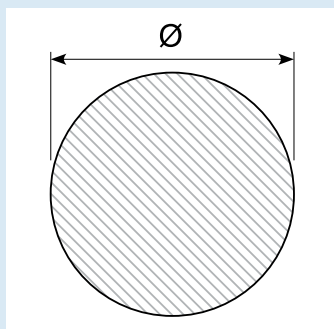
Edge trim: TPE + bi
 Grip range: 1 - 2 mm
 Hardness: SH 90 / 50
 Insert: None

33.417TPE



Edge trim: TPE + bi
 Grip range: 1 - 4 mm
 Hardness: SH 90 / 50
 Insert: None

Gummisnor / Rubber cord profiles



Black EPDM
Shore A 65 - 70

Art	Ø mm
30.101 *	1
30.101.25 *	1,25
30.101.5	1.5
30.102	2
30.102E	2 (single cord)
30.103E *	3
30.104E *	4
30.104.5E	4,5
30.105E	5
30.106E	6
30.107E *	7
30.108E	8
30.109E	9
30.110E	10
30.112E *	12
30.113E	13
30.114E *	14
30.115E *	15
30.116E *	16
30.117E	17
30.118E	18
30.119E	19
30.120E	20
30.121E	21
30.122E	22
30.124E	24
30.125E *	25
30.135E	35 (SH 75)

Black CR
Shore A 60

Art	Ø mm
30.103CR *	3
30.103.5CR *	3,5
30.104CR *	4
30.104.5CR *	4,5
30.105CR *	5
30.105.3CR *	5,3
30.105.7CR *	5,7
30.106CR *	6
30.106.5CR *	6,5
30.107CR *	7
30.107.5CR *	7,5
30.108CR *	8
30.108.4CR *	8,4
30.109CR *	9
30.109.5CR *	9,5
30.110CR *	10
30.111CR *	11
30.112CR *	12
30.113CR *	13
30.114CR *	14
30.115CR *	15
30.116CR *	16
30.118CR	18
30.120CR *	20
30.122CR *	22
30.125CR *	25
30.130CR *	30
30.132CR *	32
30.140CR *	40

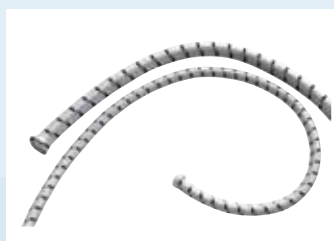
Black NBR
Shore A 65

Art	Ø mm
30.103NBR	3
30.103.5NBR *	3,5
30.104NBR *	4
30.104.5NBR *	4,5
30.105NBR	5
30.105.3NBR *	5,3
30.105.7NBR *	5,7
30.106NBR *	6
30.106.5NBR *	6,5
30.107NBR *	7
30.107.5NBR *	7,5
30.108NBR *	8
30.108.4NBR *	8,4
30.109NBR *	9
30.109.5NBR *	9,5
30.110NBR *	10
30.111NBR *	11
30.112NBR *	12
30.113NBR *	13
30.114NBR *	14
30.116NBR *	16
30.118NBR *	18
30.120NBR *	20
30.122NBR *	22
30.125NBR *	25
30.130NBR *	30
30.132NBR *	32
30.140NBR *	40

White SILICONE
Shore A 60

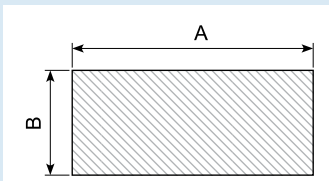
Art	Ø mm
30.103SIH *	3
30.104SIH *	4
30.106SIH *	6
30.108SIH	8

Elastiksnor / Rubber cord



Art.	Ø (mm)
50.260-4	4
50.260-5	5
50.260-6	6
50.260-8	8
50.260-10	10

* Skaffevare / Special order item

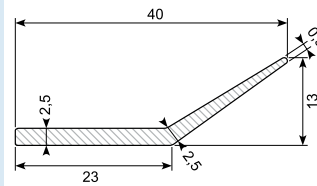


Material: EPDM

Art.	A (mm)	B (mm)	Hardness	Min. order (m)	Adhesive
30.29168	12	1	SH 65	2.000	X
30.A018615	18,6	1,5	SH 65		
30.601 *	65	2,5	SH 65	500	
30.600	30	3	SH 65		
30.602	50	3	SH 65		
30.12932-3 *	50	4	SH 60	600	
30.A02005	20	5	SH 65		
30.A02505	25	5	SH 65		
30.A03305	33	5	SH 65		
30.A05005	50	5	SH 65		
30.A06705	67	5	SH 65		
30.A07505	75	5	SH 65		
30.A10005	100	5	SH 65		
30.23464	150	5	SH 65		X
30.A03006	30	6	SH 65		
30.A05808	58	8	SH 65		
30.12932-4 *	23	10	SH 60	500	
30.A03310	33	10	SH 65		
30.A05010	50	10	SH 65		
30.A06710	67	10	SH 65		
30.A10010	100	10	SH 65		

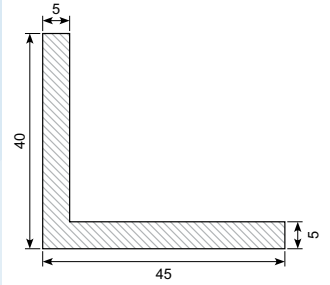
Other sizes can be obtained on request.

30.262S



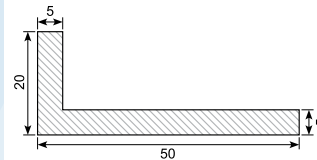
Material: EPDM black
Hardness: SH 65 - 75

30.WI660



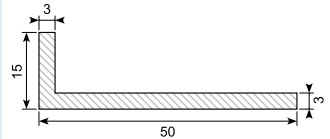
L-profile
Internal: 35 x 40 x 5 mm
External: 40 x 45 x 5 mm

30.WI747



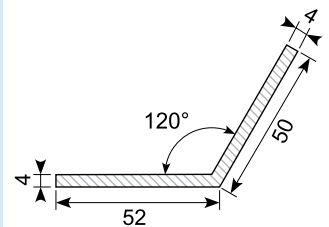
Material: EPDM
Hardness: SH 60

30.9691-2 *



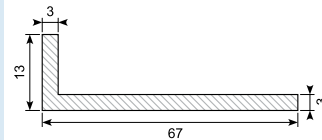
Material: White EPDM
Min. order: 504 m

30.7367



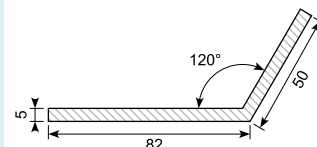
Material: CR black
Hardness: SH 65
Conditional oil resistant

30.9691-5 *



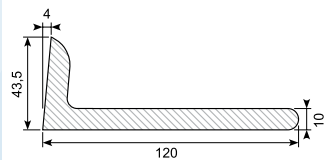
Material: White EPDM
Hardness: SH 65
Min. order: 504 m

30.7696



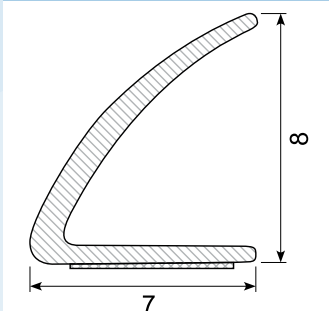
Material: CR black
Hardness: SH 65
Conditional oil resistant

30.12759



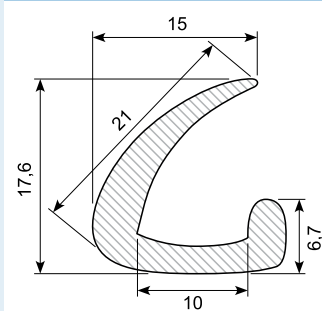
Material: Black EPDM
Hardness: SH 60A

30.OT1024 / 30.OT1024B



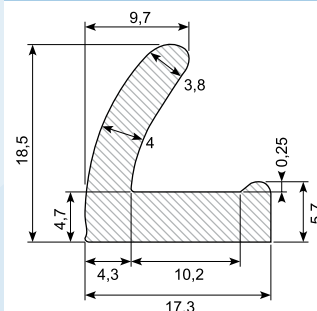
Material: Silicone with adhesive
Hardness: SH 60
30.OT1024 white
30.OT1024B black
30.OT1024KPC transparent

30.216S



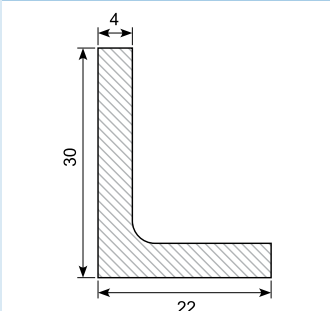
Material: EPDM black
Hardness: SH 65

30.218S



Material: EPDM black
Hardness: SH 75 - 81

30.220L

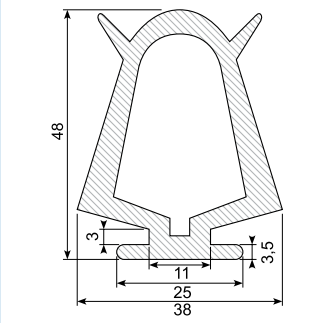


Material: CR black
Hardness: SH 65
Length: 6,5 m
Conditional oil resistant

* Skaffevare / Special order item

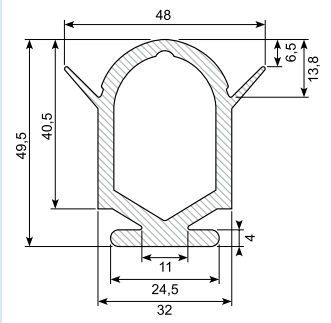
Specialprofiler / Special profiles

30.331



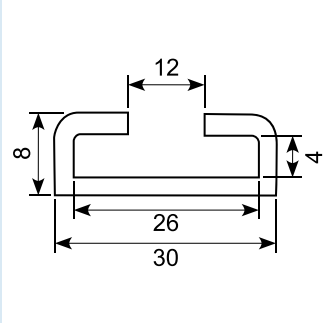
Material: EPDM black
Hardness: SH 70

30.9996-10



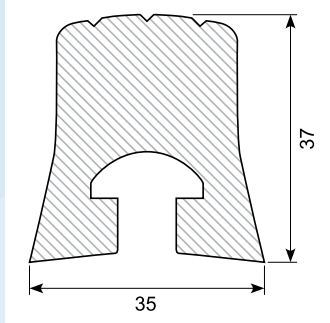
Material: EPDM
Hardness: SH 70

41.675A - 41.674A



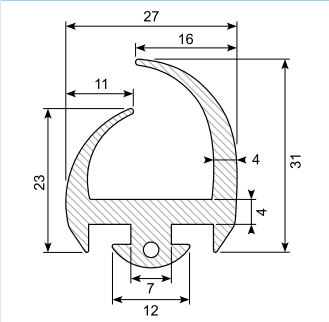
Material: Aluminium
41.675A: 5,2 m, untreated
41.674A: 5 m, anodized

39.1208P



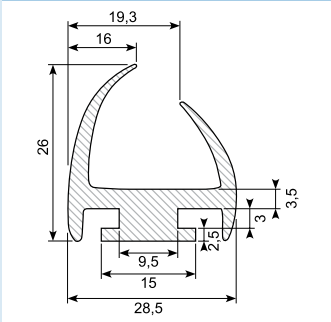
Fender profile with channel
Material: PE
Length: 3 m

30.12957-1



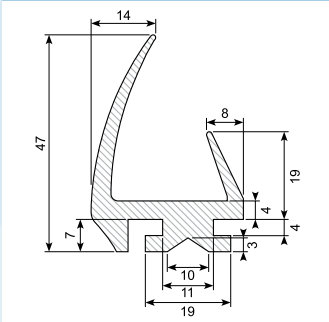
Material: EPDM
Hardness: SH 65

30.7933



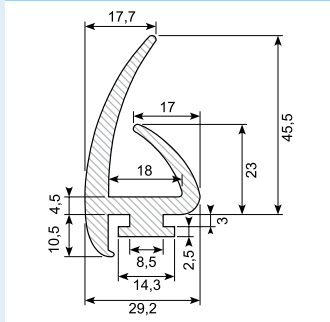
H-profile for aluminium rail
Material: EPDM
Hardness: SH 70

30.12957-2



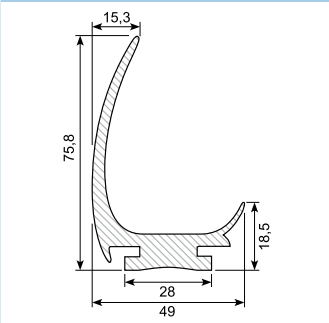
Material: EPDM
Hardness: SH 65

30.7932



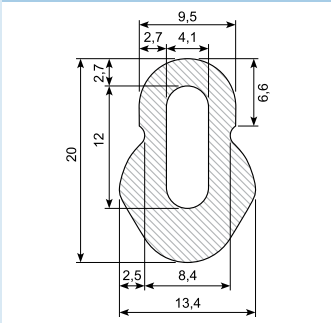
Rubber profile for alu. track
Material: EPDM
Hardness: SH 70

30.7935 **



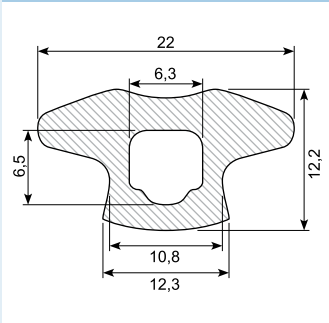
Material: EPDM black
Hardness: SH 65
Length: 2,8 m
Min. order: 120 m

30.7853X



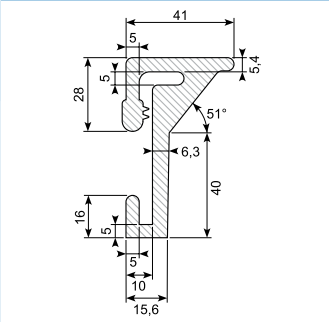
Material: Black EPDM

30.7652



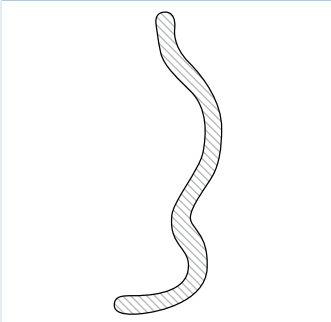
Rubber profile
Material: EPDM
Hardness: SH 65

30.333



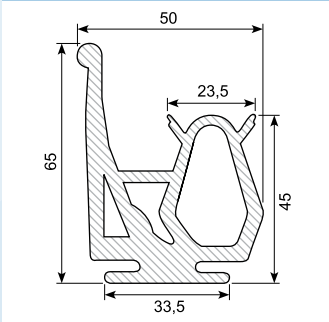
L-profile
Material: EPDM
Hardware: SH 70
Roll of 50 m

41.333S



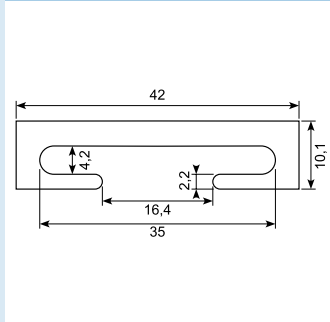
Steel profile for mounting of rubber profile 30.333
Length: 2,6 m

30.8469 *



Rubber profile with drip cap
For loading tail board
Material: EPDM
Hardness: SH 67
Length: 8 m
Min. order: 80 m

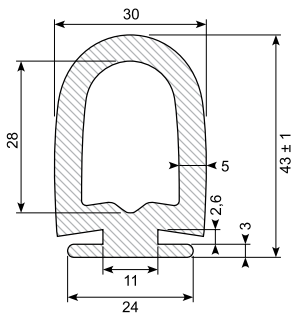
41.678



Alu c-profil 42 x 10 mm
Length 5,2 m
Fits to 30.8469

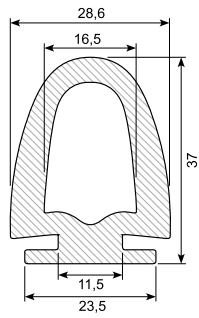
* Skaffevare / Special order item ** Opdateret siden tryk / Updated since print

30.325X



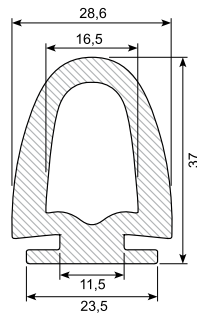
Material: EPDM black
Hardness: SH 65
Length: 5 m

30.324S



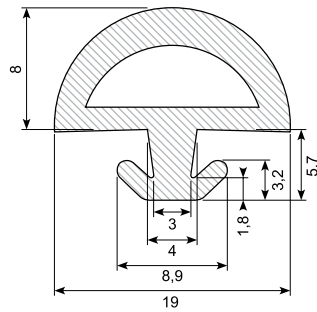
Material: EPDM black
Hardness: SH 65
Length: 5 m

30.324SB



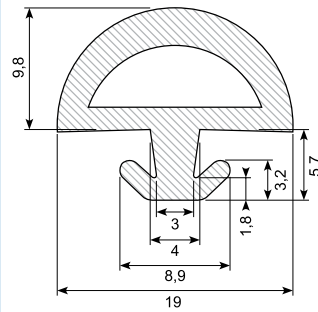
Material: EPDM black
Hardness: SH 45 (soft)
Length: 5 m

30.7649-8 *



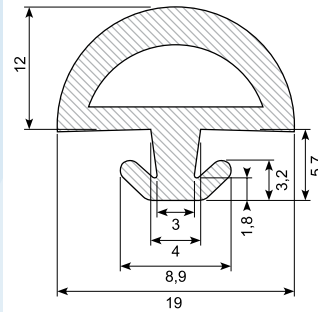
D-weatherstrip
Material: EPDM Black
Hardness: SH 60
Min. order: 1.000 m

30.7649



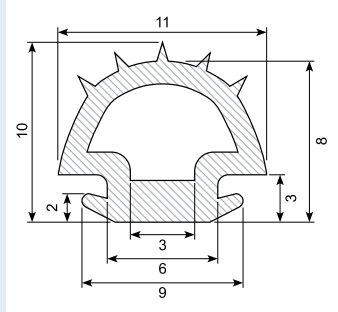
D-weatherstrip
Material: EPDM Black
Hardness: SH 60

30.7649-12 *



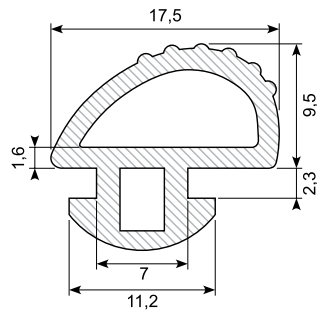
D-weatherstrip
Material: EPDM Black
Hardness: SH 60
Min. order: 1.000 m

30.12957-3



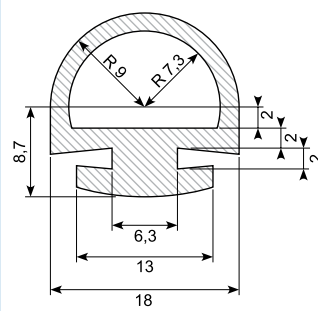
Material: EPDM
Hardness: SH 60

30.14098-2



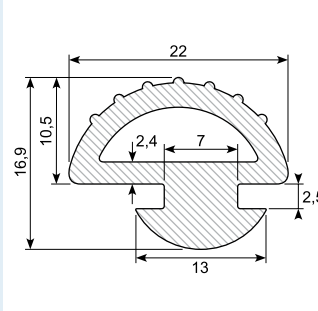
Material: EPDM
Hardness: SH 60A

30.9691-3



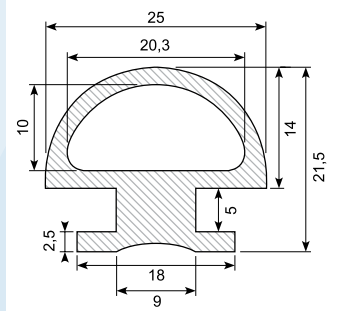
Material: Black EPDM
Hardness: SH 65

30.7650



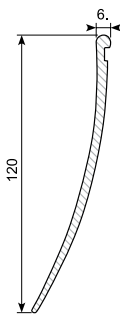
D-weatherstrip
Material: EPDM
Hardness: SH 70

30.5881



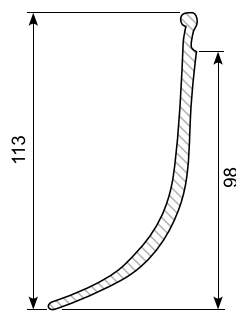
Material: CR black
Hardness: SH 65
Conditional oil resistant

30.2151 *



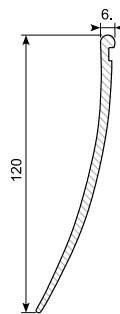
Skirt profile
Hardness: PVC white
Roll of 14 m
Min. order: 560 m

30.6648



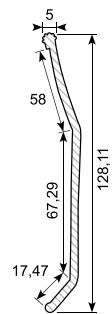
Skirt profile
Hardness: SH 75
30.6648: Black EPDM
30.6648G: Grey TPE
30.6648S: Black TPE

30.2151S *



Material: Black PVC
Hardness: SH 75 - 80
Min. order: 280 m

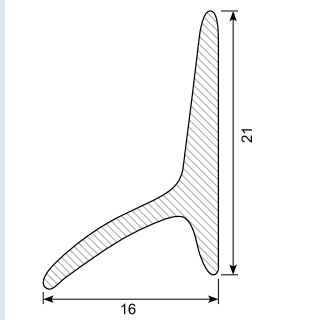
30.2566



Skirt profile
Material: PVC black
Hardness: SH 80
Height: 125 mm
Length: 1 m
Roll of 64 m

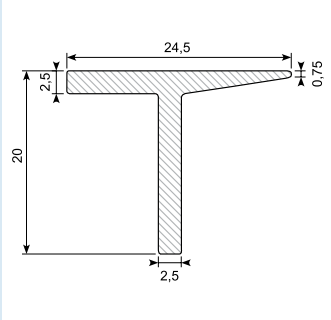
* Skaffevare / Special order item

30.257S



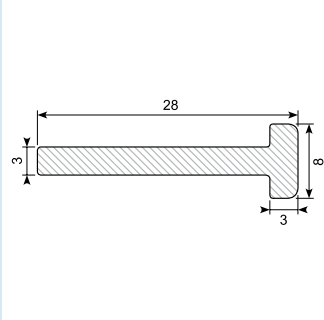
Material: EPDM black
Hardness: SH 65

30.258 *



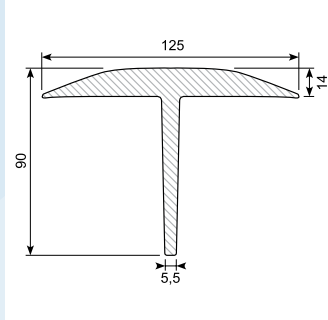
Material: EPDM black

30.5560 *



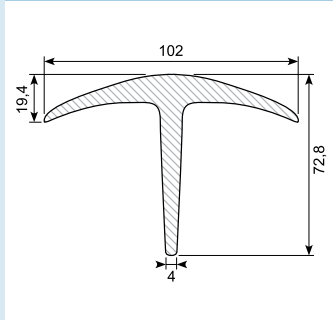
Material: EPDM black
Hardness: SH 65
Min. order: 450 m

30.7780/4



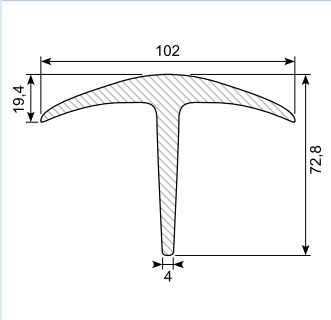
Material: EPDM black
Hardness: SH 65
Length: 4 m

30.7300 - 30.7300/4



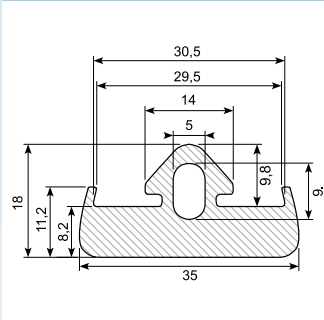
Material: EPDM black
Hardness: SH 65
Length 30.7300: 3 m
Length 30.7300/4: 4 m

30.7300/4Y *



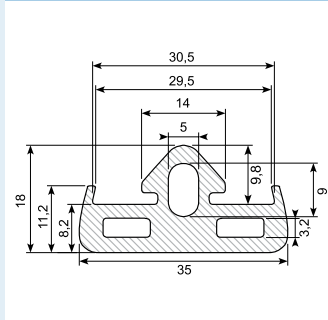
Material: EPDM yellow
Hardness: SH 65
Min. order: 64 m

30.6944 *



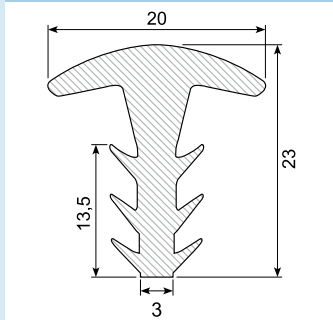
Material: EPDM black
Hardness: SH 65
Min. order: 200 m

30.5550M



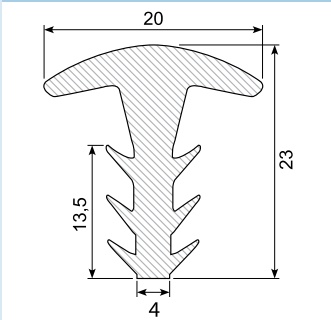
Material: EPDM black
Hardness: SH 65

30.2653 *



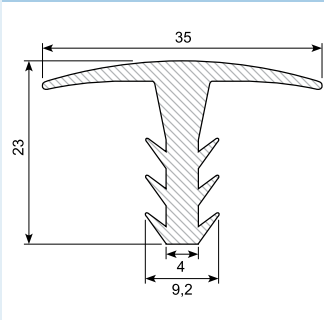
Material: EPDM black
Hardness: SH 65
Min. order: 1.000 m

30.5981



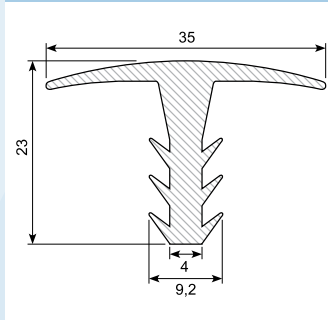
Material: EPDM black
Hardness: SH 65

30.8199



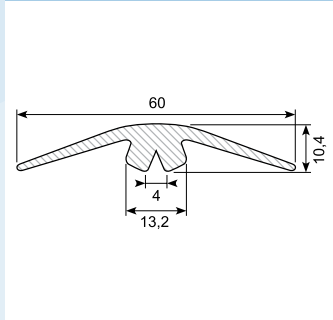
Material: EPDM black
Hardness: SH 65
Length: 4 m

30.8199W



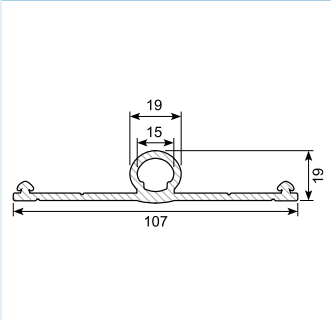
Material: EPDM white
Hardness: SH 65
Length: 4 m
Min. order: 223 m

30.6759



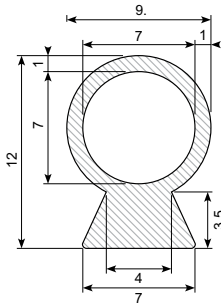
Material: EPDM black
Hardness: SH 65

30.7770 *



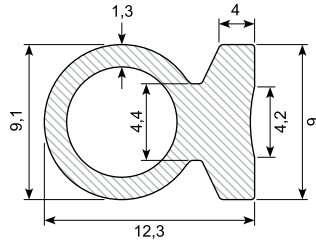
Material: EPDM black
Hardness: SH 65
Min. order: 100 m

30.314S



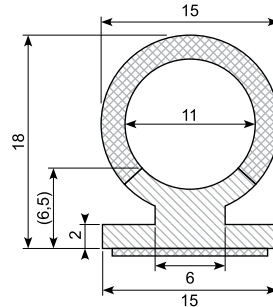
Rubber profile
Material: EPDM
Hardness: SH 60 / 65

30.7651



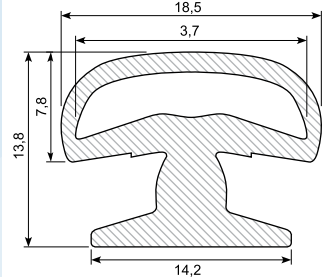
Balloon profile
Material: EPDM
Hardness: SH 65

30.313



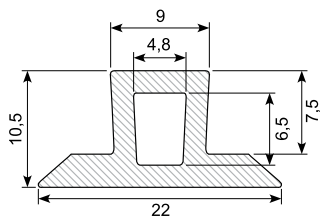
Co-ex profile
Material: EPDM / sponge rubber
Hardness: SH 80

30.7648



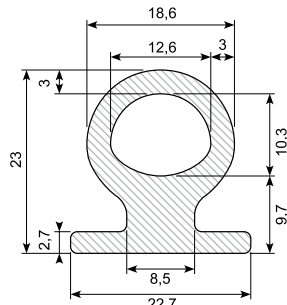
Material: EPDM black
Hardness: SH 65

30.7106 *



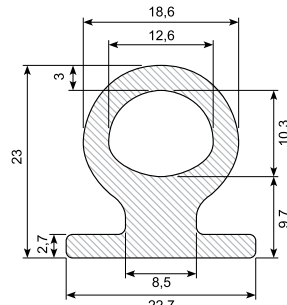
Material: SBR black
Hardness: SH 65
Min. order: 1.000 m

30.315S



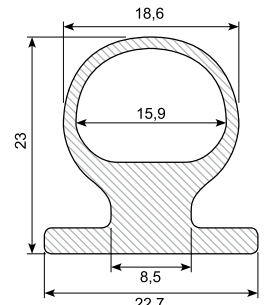
Material: EPDM black
Hardness: SH 65
Length: 10 m
OBS does not fit 41.675A

30.315SB



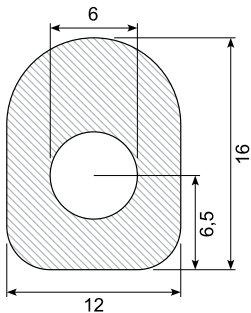
Material: EPDM black
Hardness: SH 45
Length: 10 m
OBS does not fit 41.675A

30.7613 *



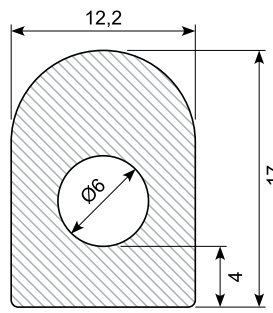
Material: EPDM black
Hardness: SH 60
Min. order: 500 m

30.50967 *



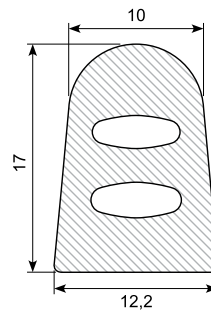
Material: NBR black
Hardness: SH 65
Min. order: 500 m
Oil resistant

30.13841



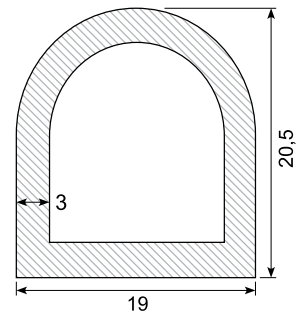
Material: Black NBR
Hardness: SH 45A
Oil resistant

30.14053



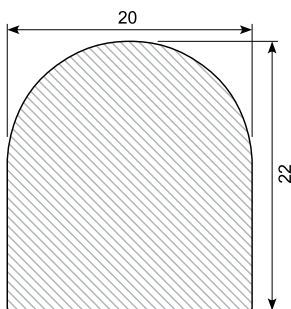
Material: Black NBR
Hardness: SH 50A
Oil resistant

30.OT3354



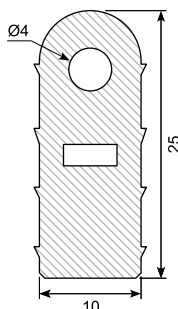
Material: Silicone white
Hardness: SH 60

30.7645 *



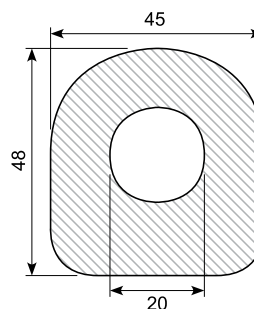
Material: EPDM black
Hardness: SH 45
Min. order: 50 m

30.13421



Material: EPDM
Hardness: SH 65

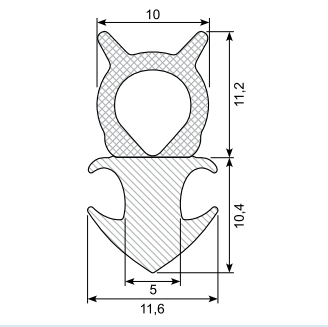
30.7559



Material: NBR black
Hardness: SH 60
Oil resistant

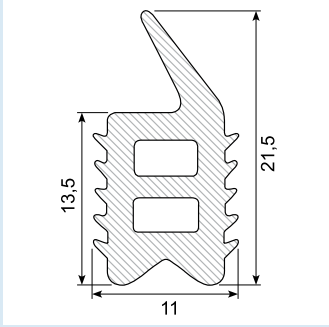
Specialprofiler / Special profiles

30.14130



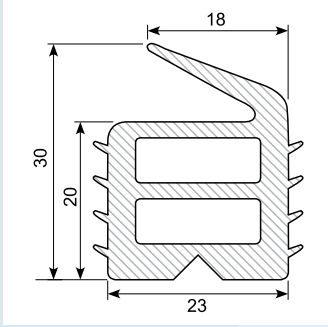
Co-ex profile
Material: EPDM
Hardness: SH 70 / density 85-95

30.190



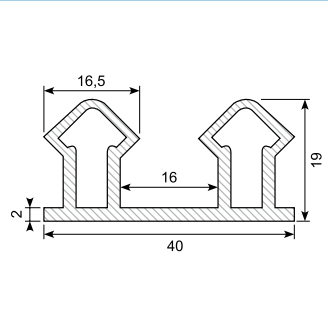
Material: PVC
Hardness: SH 57

30.8270



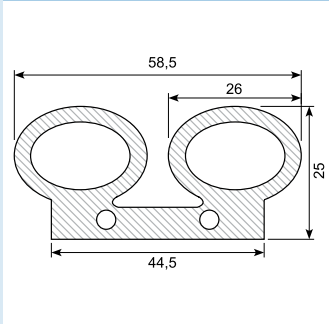
Material: EPDM black
Hardness: SH 57

30.OT1387 *



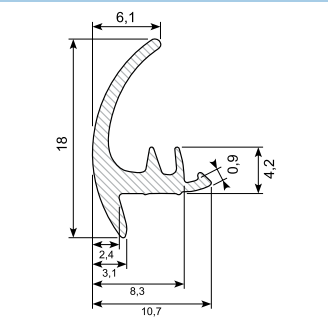
Material: Silicone grey
Hardness: SH 60
Min. order: 40 m

30.OT3272 *



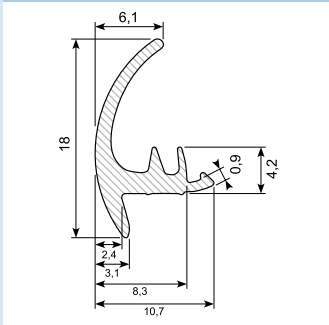
Material: Silicone blue
Hardness: SH 60
Min. order: 50 m

32.8518



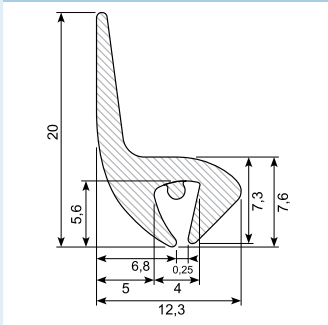
End-stop profile
Material: EPDM
Hardness: SH 65
Roll of 50 m

32.8518W *



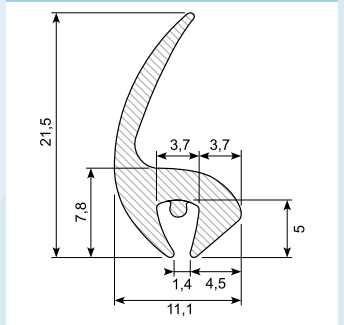
Color: White, RAL 9003
Material: EPDM
Hardness: SH 60
Min. order: 1.500 m

32.8516



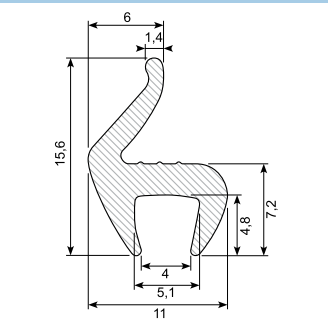
End-stop profile
Material: EPDM
Hardness: SH 65
Roll of 50 m

32.8517



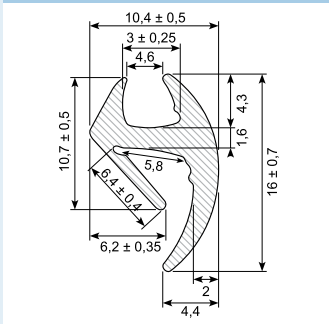
End-stop profile
Material: EPDM
Hardness: SH 65
Roll of 50 m

32.8520



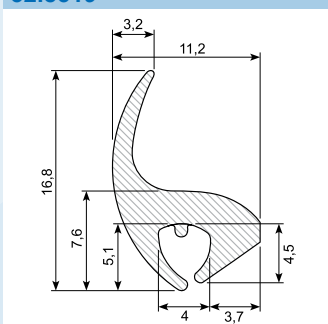
Universal end-stop profile
Material: EPDM
Hardness: SH 65
Roll of 50 m

31.369



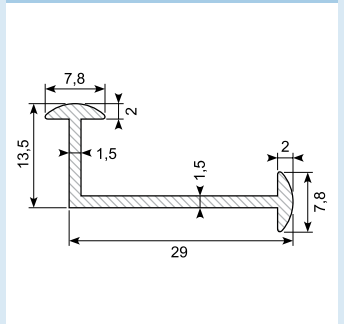
End-stop profile
Material: EPDM black
Hardness: SH 65

32.8519



End-stop profile
Material: EPDM
Hardness: SH 65
Roll of 50 m

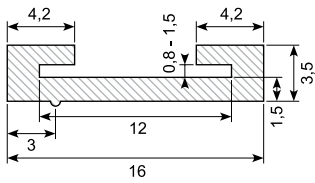
30.12553-2



Material: Black EPDM
Hardness: SH 60A

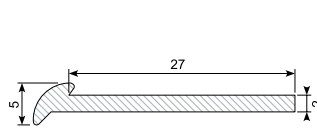
* Skaffevare / Special order item

30.798



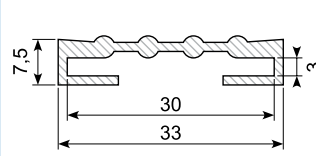
Material: EPDM black
Hardness: SH 65

30.14163-1



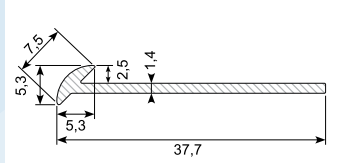
Material: EPDM
Hardness: SH 65

30.144



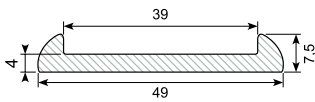
Material: EPDM black
Hardness: SH 60

30.5179



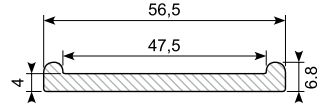
Material: EPDM

30.141



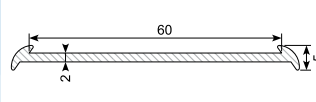
Material: EPDM
Hardness: SH 60

30.142S



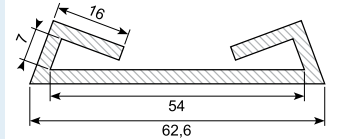
Material: EPDM black
Hardness: SH 65

30.14163



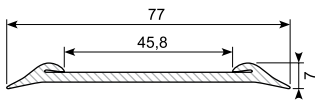
Material: EPDM
Hardness: SH 65

30.8331



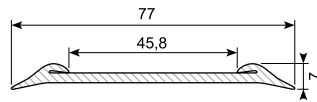
Material: EPDM black
Hardness: SH 65

30.145W *



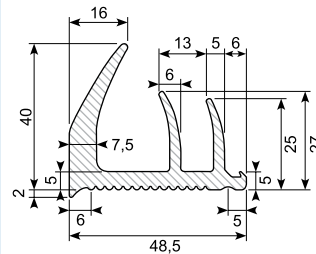
Material: EPDM white
Hardness: SH 65
Min. order: 300 m

30.145 *



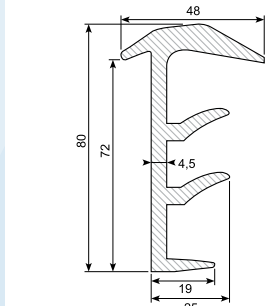
Material: EPDM black
Hardness: SH 70
Min. order: 200 m

30.13447-8 *



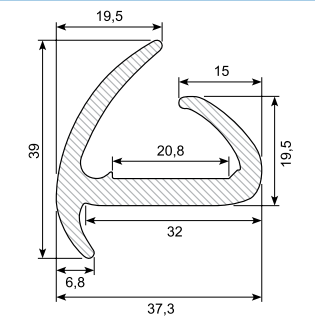
Container profile
Material: EPDM
Hardness: SH 70
Length: 2,5 m
Min. order: 500 m

54.710290 *



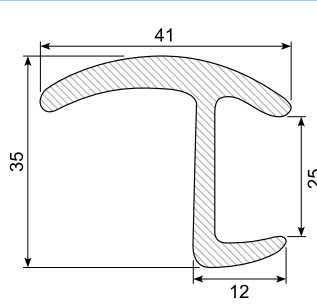
Material: EPDM black
Hardness: SH 65
Length: 10 m
Min. order: 10 m

30.7663



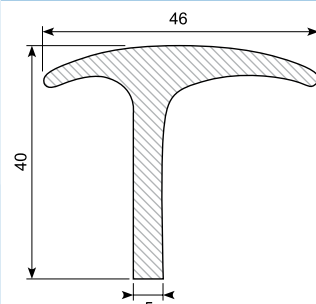
Material: EPDM black
Hardness: SH 65
Length: 5 m

30.340



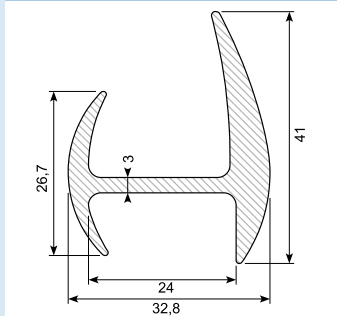
Material: EPDM black
Hardness: SH 50
Length: 3 m

30.2438



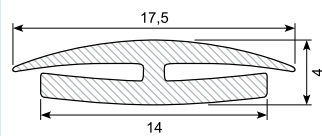
Material: EPDM black
Hardness: SH 65
Length: 2,2 m

30.4437 *



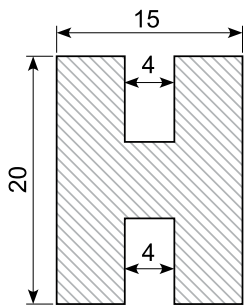
Material: Black EPDM
Hardness: SH 60
Min. order: 85 m

30.7411



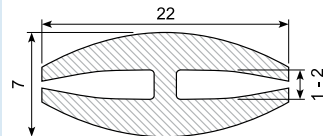
Material: EPDM black
Hardness: SH 65
Grip range: 1 - 1,5 mm

30.13062 *



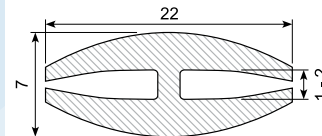
Material: EPDM
Hardness: SH 65
Min. order: 500 m

34.7528-2H *



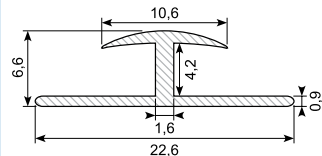
Material: PVC white
Min. order: 250 m

34.7528-2



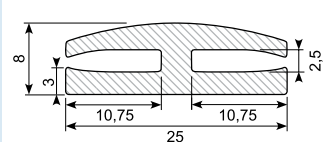
Material: PVC grey

34.3546



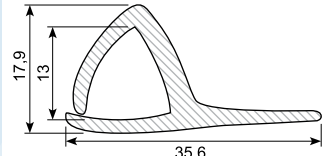
Material: White PVC

30.762



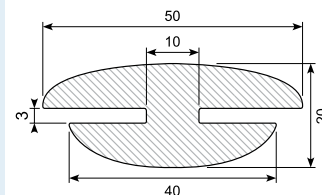
Material: EPDM black
Hardness: SH 65

31.072



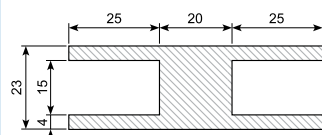
Material: EPDM black
Hardness: SH 65

30.7266 *



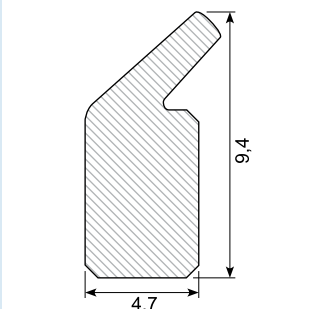
Material: EPDM black
Hardness: SH 65
Min. order: 50 m

30.12932-2 *



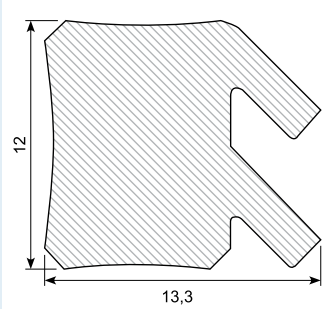
Material: Black EPDM
Hardness: SH 60
Min. order: 400 m

30.29300-130 *



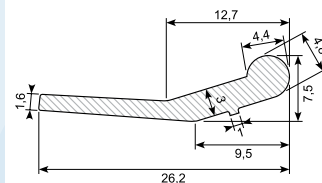
Material: CR black
Hardness: SH 65
Min. order: 100 m
Conditional oil resistant

30.29300-129 *



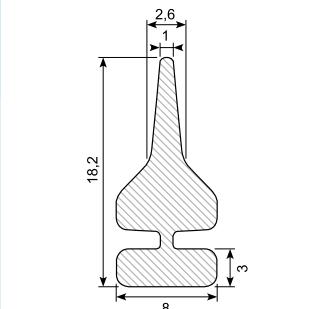
Material: Black CR
Hardness: SH 65
Min. order: 300 m
Conditional oil resistant

30.16688



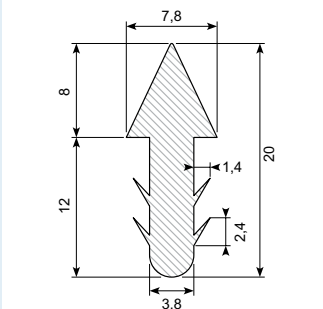
Material: EPDM
Hardness: SH 70

30.7811 *



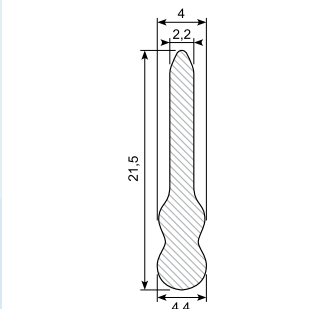
Material: EPDM black
Hardness: SH 60
Min. order: 1.500 m

30.11905



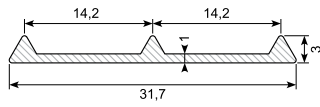
Material: Black silicone
Hardness: SH 50

30.7249 *



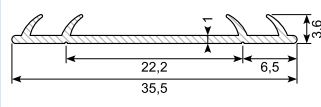
Material: CR black
Hardness: SH 70
Min. order: 500 m
Conditional oil resistant

30.13049-4



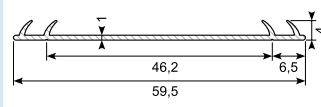
Material: Black EPDM
Hardness: SH 60A

30.13049-2 *



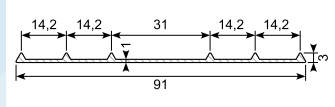
Material: EPDM
Hardness: SH 60A
Min. order: 5.000 m

30.13049-1 *



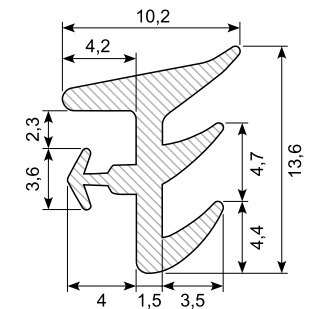
Material: EPDM
Hardness: SH 60A
Min. order: 4.000 m

30.13049-5 *



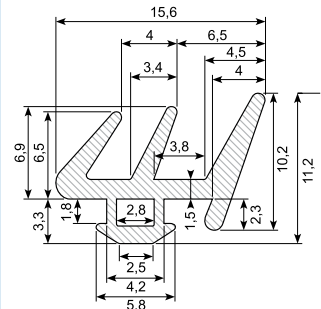
Material: Black EPDM
Hardness: SH 60A
Min. order: 2.000 m

30.4469



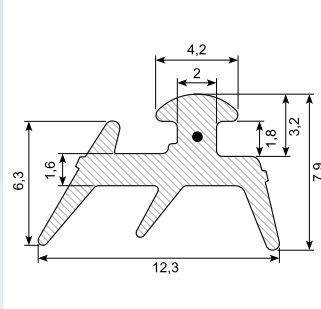
Material: EPDM
Hardness: SH 60
Coated with silicone

30.10485



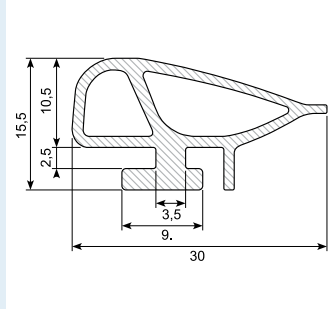
Material: EPDM
Coated with silicone

30.9387-2 *



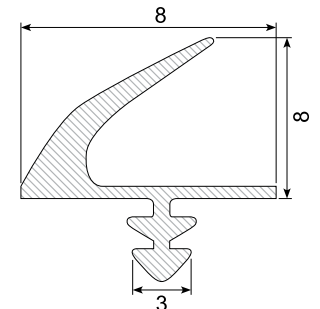
Material: EPDM
Min. order: 5.000 m
With internal cord

30.13796 *



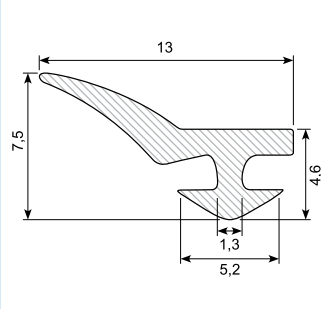
Material: Black EPDM
Hardness: SH 75A
Min. order: 1.000 m

30.OT1092 *



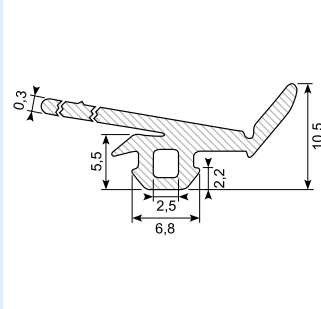
Material: Silicone **white**
Min. order: 300 m

31.702 *



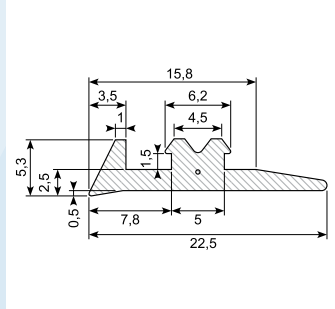
Material: EPDM black
Hardness: SH 70
Conditional oil resistant
Min. order: 2.000 m

30.7507 *



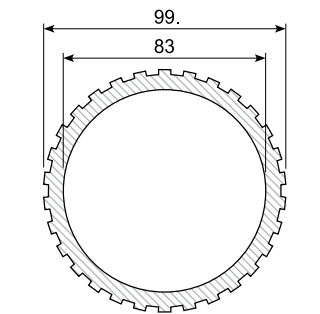
Material: EPDM black
Hardness: SH 65
Min. order: 1.000 m

30.10461-2



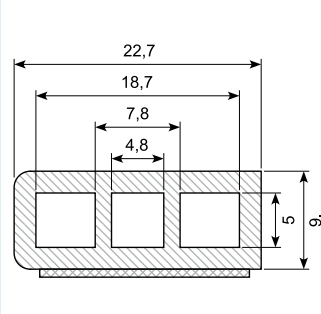
Material: EPDM with cord

30.7845 *



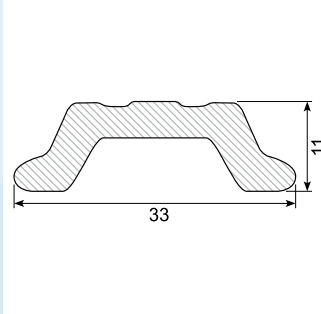
Material: SBR black
Hardness: SH 70
Min. order: 51 m

30.16977



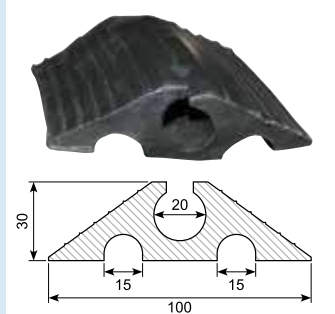
Material: **White** PVC hard
with adhesive

30.5596 *



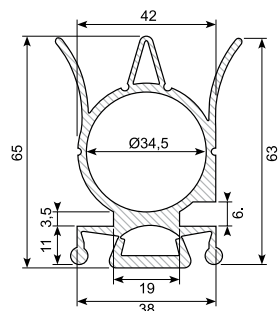
Material: EPDM black
Hardness: SH 65
Min. order: 500 m

52.PP106



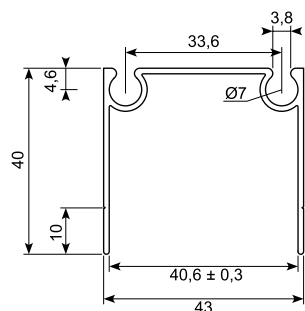
Material: NR / SBR
Cable transmission. Roll 9 m

30.13503



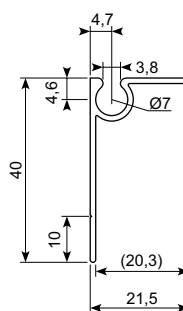
Material: Black EPDM
Hardness: SH 60A
For track [41.13459](#)

41.13459



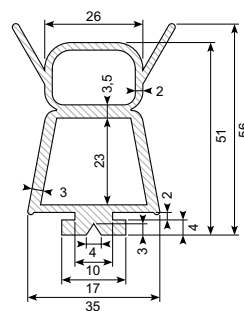
Aluprofile for gate
Anodized surface. Length 6 m.
Calculated weight 479 g/m.
For profile: [30.13503](#)

41.13459X *



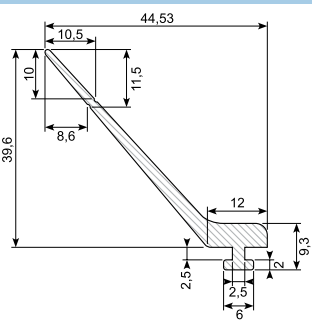
1/2 aluprofile for gate 21.5 x 40 mm
Anodized surface. Length 6 m.
Calculated weight: 239 g/m
For profile: [30.13503](#)

30.9215



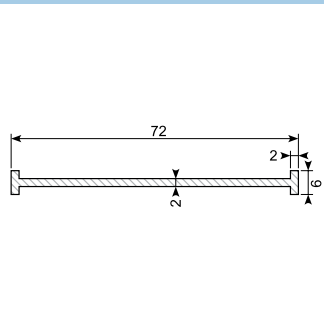
Material: EPDM
Hardness: SH 65 - 70

30.9826-1



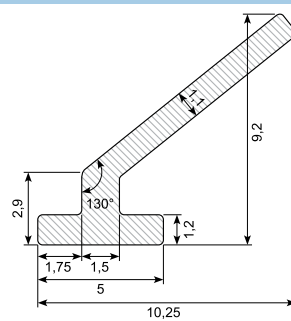
Material: EPDM
Hardness: SH 70

30.9826-2



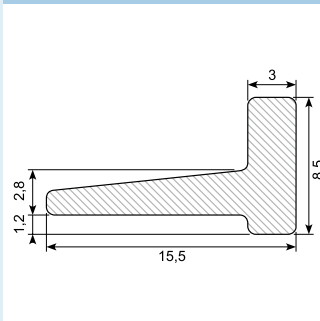
Material: EPDM
Hardness: SH 70

30.10036



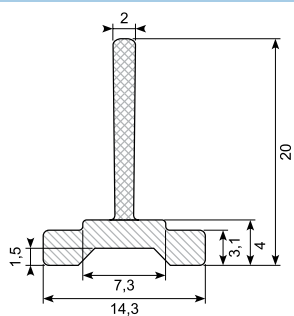
Material: EPDM
Hardness: SH 70

30.9996-6



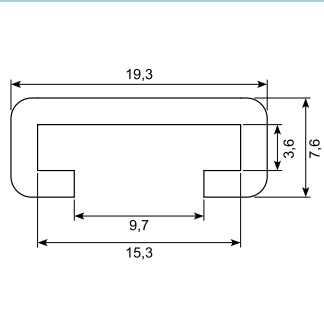
Material: EPDM
Hardness: SH 60

30.13242



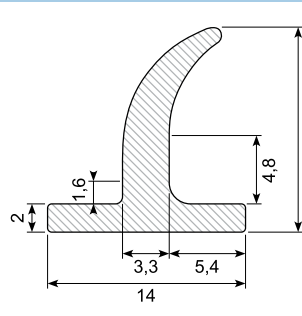
Material: Co-ex EPDM
Hardness: SH 85 / 62
Length: 3.000 mm
(Rail see [41.670](#))

41.670



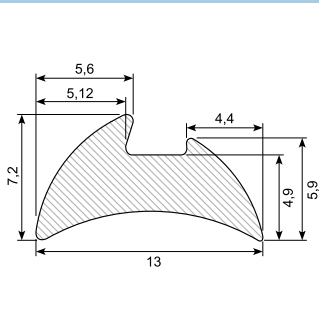
Elekeret alu.
3 m med montagehuller.
Ø4 hver 200 mm.
Til profil [30.13242](#)

30.16239



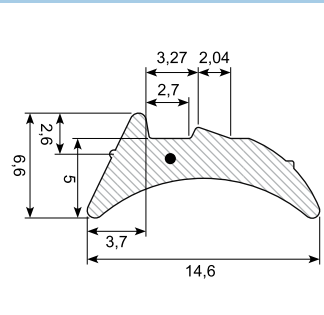
Material: EPDM
Hardness: SH 70

30.9996-5



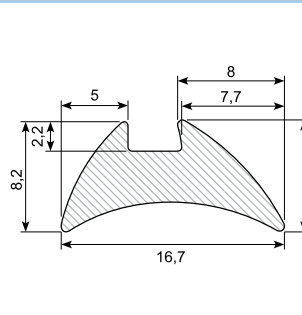
Material: EPDM
Hardness: SH 70

30.9387-1



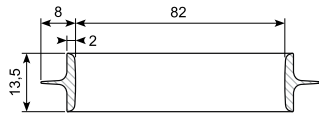
Material: EPDM
Hardness: SH 70
With cord

30.9996-4



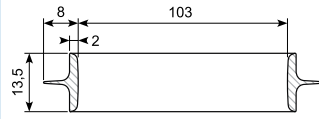
Material: EPDM
Hardness: SH 70

30.9437-100



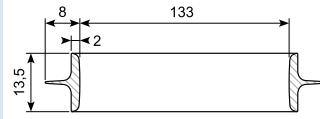
Ventilation ring
Material: Black EPDM
Hardness: SH 60 - 65

30.9437-125



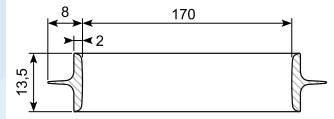
Ventilation ring
Material: Black EPDM
Hardness: SH 60 - 65

30.9437-160



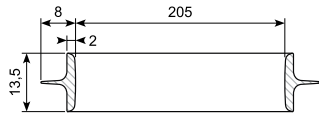
Ventilation ring
Material: Black EPDM
Hardness: SH 60 - 65

30.9437-200



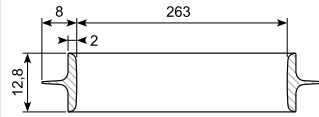
Ventilation ring
Material: Black EPDM
Hardness: SH 60 - 65

30.9437-250



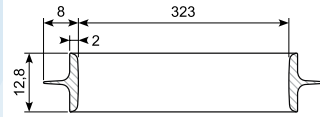
Ventilation ring
Material: Black EPDM
Hardness: SH 60 - 65

30.9437-315



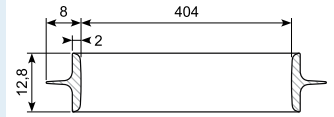
Ventilation ring
Material: Black EPDM
Hardness: SH 60 - 65

30.9437-400



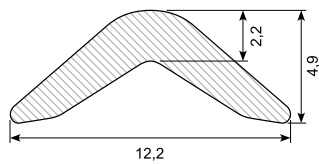
Ventilation ring
Material: Black EPDM
Hardness: SH 60 - 65

30.9437-500



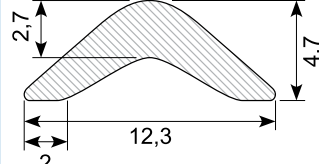
Ventilation ring
Material: Black EPDM
Hardness: SH 60 - 65

45.205S / 45.205SX



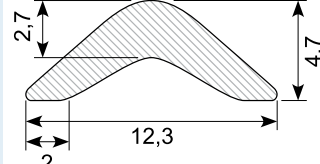
Material: Silver grey PVC

45.209BX



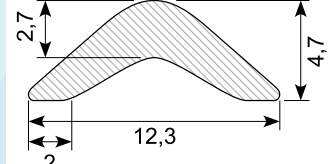
Material: Black PVC

45.210B / 45.210BX



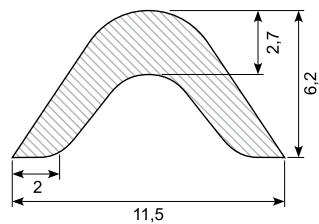
Material: White PVC

45.210C / 45.210CX



Material: Off white PVC

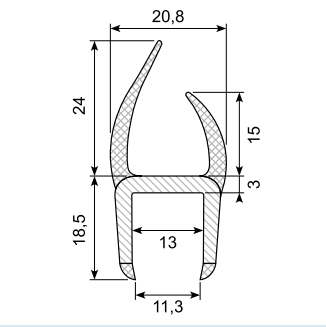
45.208



Material: Blue PVC

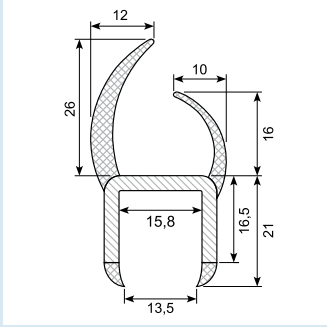
Co-ekstruderede plastprofiler / Co-extruded plastic profiles

50.083013 *



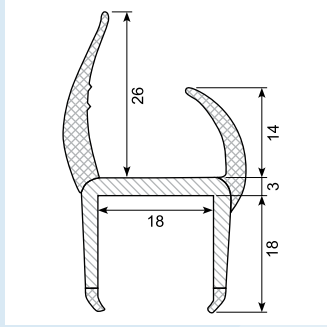
Material: PVC co-ex profile 13 mm
Black / white
Length: 5 m
With 4 soft lips
Min. order: 200 pcs

50.083015GG / 50.083015GGX



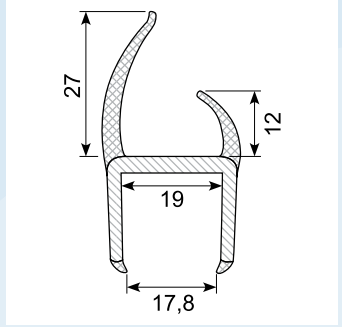
Material: PVC co-ex profile 15 mm
Light grey / grey lips
Length: 5 m
With 4 soft lips
50.083015GGX: 4 m light/light

50.083030



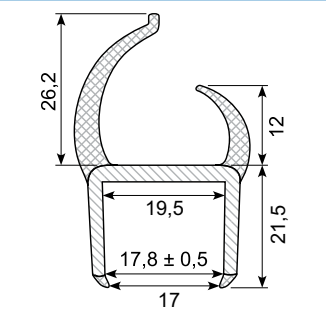
Material: PVC co-ex profile 18 mm
Black / white
Length: 5 m
With 4 soft lips

50.083032GG *



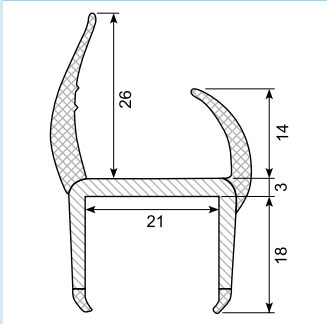
Material: PVC co-ex profile 18,4 mm. Grey / grey (other colors possible)
Length: 6 m
With 4 soft lips
Min. order: 500 m

50.083033



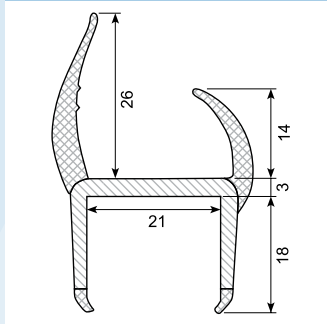
Material: PVC co-ex profile 19 mm
Black lips / light grey
Length: 5 m
With 4 soft lips

50.083040GS



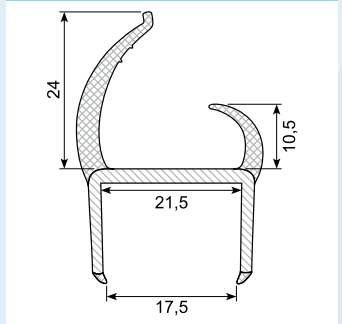
Material: PVC co-ex profile 21 mm
Black / grey
Length: 6 m
With 4 soft lips

50.083040



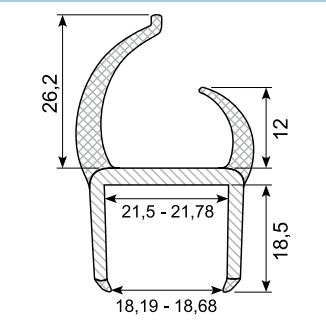
Material: PVC co-ex profile 21 mm
Black / white
Length: 5 m
With 4 soft lips
Min. order: 200 pcs.

50.083040G



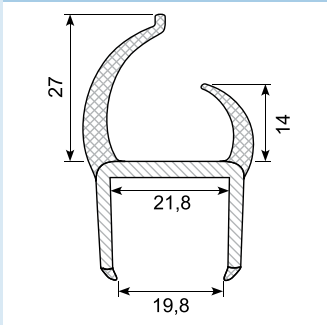
Material: PVC co-ex profile 21 mm
Grey / grey
Length: 5 m
With 4 soft lips

50.083033X



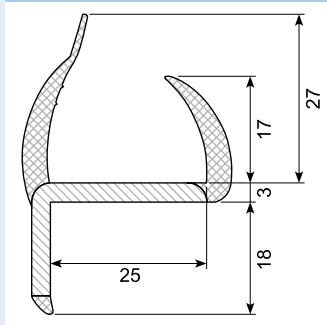
Material: PVC co-ex profile 20 mm
Black lips / light grey
Length: 5 m
With 4 soft lips

50.083040GG *



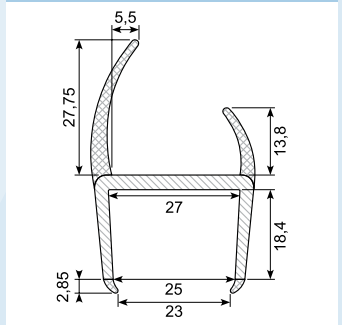
Material: PVC co-ex profile 20,8 mm. Grey / grey (other colors possible)
Length: 6 m
With 4 soft lips

50.083045X *



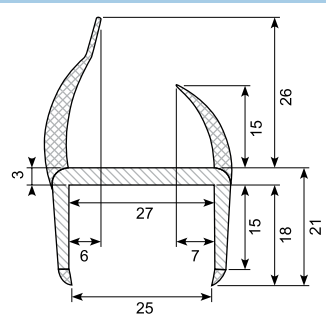
Material: PVC co-ex profile 25 mm (different colors possible)
Length: 5 m
With 3 soft lips
Min. order: 250 m (China)

54.710720 *



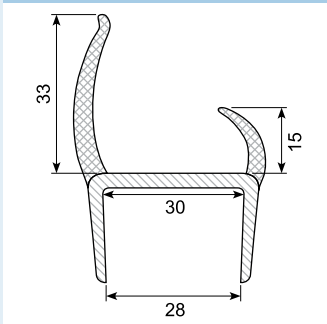
Material: PVC co-ex profile 25 mm
Hardness: Hard/soft
Length: 3 m
With 4 soft lips
Min. order: 25 pcs.

50.083045G *



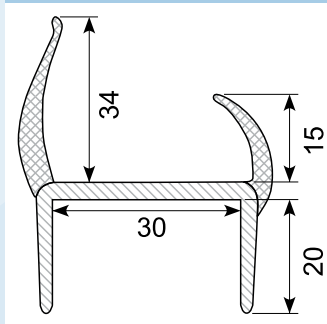
Material: PVC co-ex profile 25 mm
Different colors possible
Length: 6 m
With 4 soft lips
Min. order: 500 m

50.083050GG *



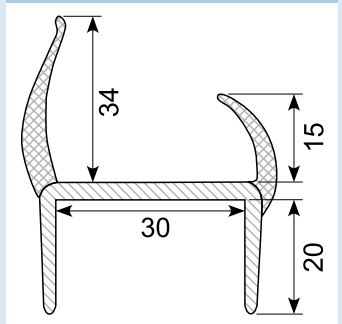
Material: PVC co-ex profile 30 mm
Grey / grey (other colors possible)
Length: 5 m
With 2 soft lips
Min. order: 500 m

50.083050



Material: PVC co-ex profile 30 mm
Black / white
Length: 5 m
With 2 soft lips

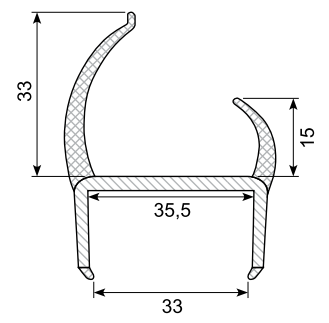
50.083050G



Material: PVC co-ex profile 30 mm
Black / light grey
Length: 5 m
With 2 soft lips

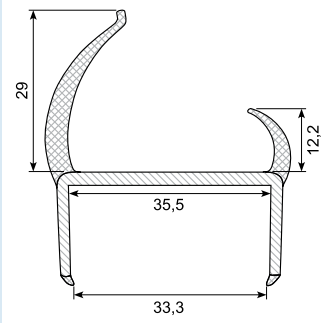
* Skaffevarer / Special order item

50.083052G *



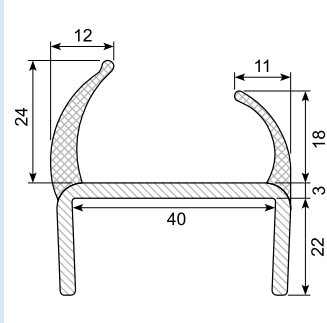
Material: PVC co-ex profile 35 mm
Grey / grey
(other colors possible)
Length: 3 m
With 4 soft lips
Min. order: 300 m

50.083055G



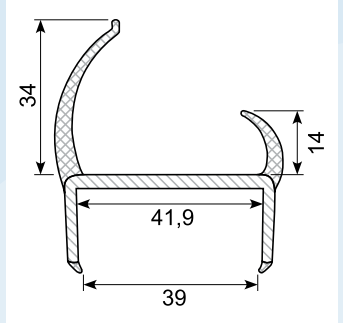
Material: PVC co-ex profile 35 mm.
Light grey / grey lips
Length: 5 m
With 4 soft lips

50.083059 *



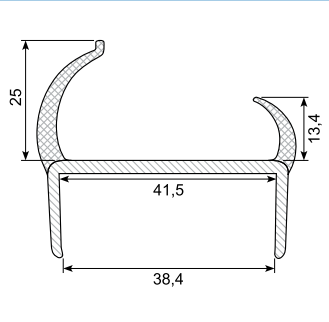
Material: PVC co-ex profile 40 mm
White / black lips
Length: 5 m
With 2 soft lips
Min. order: 250 m

50.083060 *



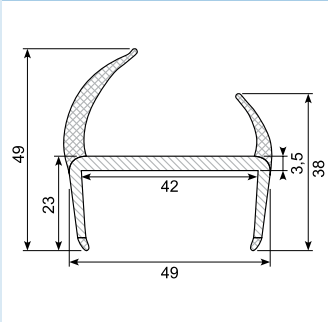
Material: PVC co-ex profile 40 mm
White / black lips
(other colors pos.)
Length: 5 m
With 4 soft lips
Min. order: 500 m

50.083060G



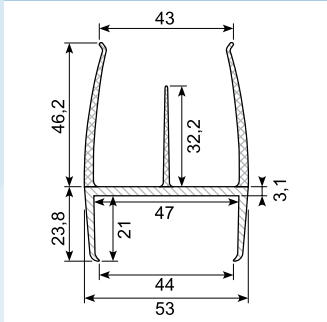
Material: PVC co-ex profile 40 mm.
Light grey / grey lips
Length: 5 m
With 2 soft lips

50.083061 *



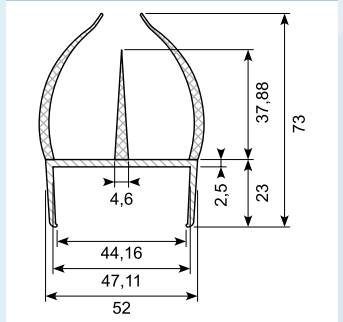
Material: PVC co-ex profile 42 mm
White / black lips
Length: 5 m
With 4 soft lips
Min. order: 250 m (China)

50.083065 *



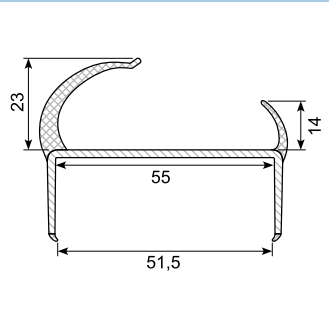
Material: PVC co-ex profile 45 mm
Grey / grey
(other colors possible)
Length: 5 m
With 3 soft lips
Min. order: 250 m

50.083065G *



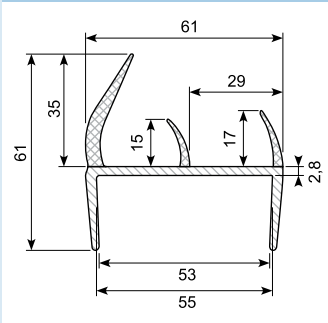
Material: Co-ex profile
Length: 5 m

50.083070G



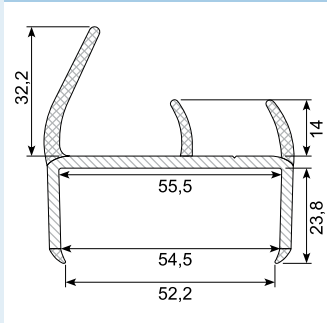
Material: PVC co-ex profile 55 mm
Light grey / grey lips
Length: 5 m
With 4 soft lips

50.083070B *



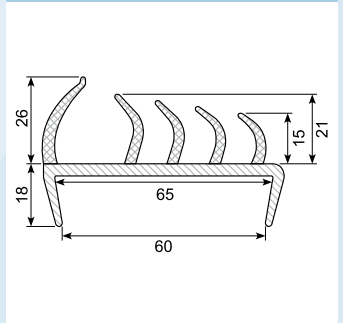
Material: PVC co-ex profile 55 mm.
White / black lips
Length: 5 m
Min. order: 500 m
With 4 soft lips

54.710770 *



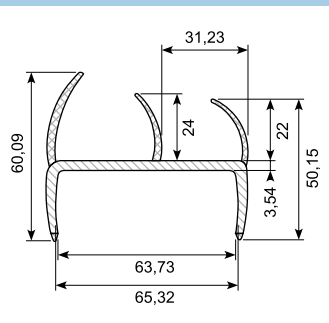
Material: Grey PVC co-ex profile 30 mm
Length: 3 m
Min. order: 50 m
With 4 soft lips

50.083081 *



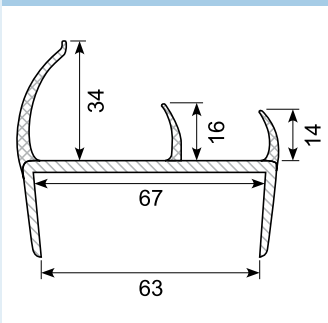
Material: Black PVC co-ex profile 65 mm
With 5 soft lips
Min. order: 250 m

50.083080GG *



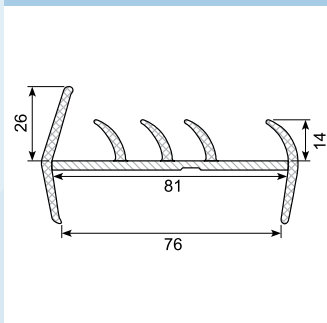
Material: PVC co-ex profile 65 mm
Light grey / light grey lips
Length: 5 m
With 3 soft lips
Min. order: 250 m (China)

50.083080G



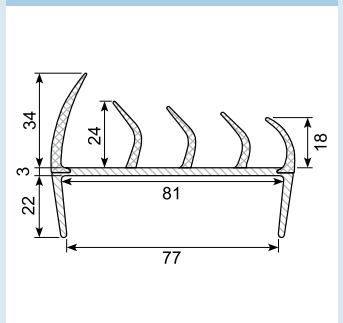
Material: PVC co-ex profile 65 mm.
Grey / grey lips
Length: 5 m
With 2 soft lips

50.083088 *



Material: PVC co-ex profile 81 mm.
Black
With 5 soft lips
Min. order: 250 m

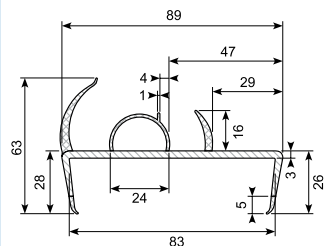
50.083089 *



Material: PVC co-ex profile 81 mm.
Black
With 5 soft lips
Min. order: 250 m

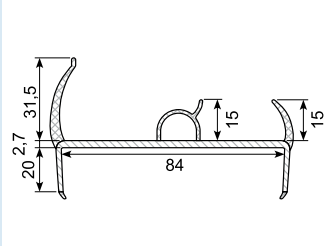
Co-ekstruderede plastprofiler / Co-extruded plastic profiles

50.083090



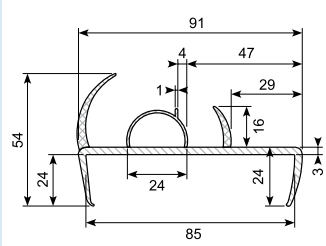
Material: PVC co-ex profile 83 mm. Light grey / light grey
Length: 5 m
With 4 soft lips

50.083095B *



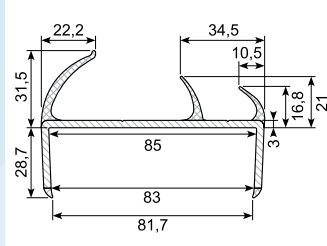
Material: PVC co-ex profile 84 mm. White / black lips.
Length: 5 m
Min. order: 500 m
With 4 soft lips

50.083095 / 50.083095G *



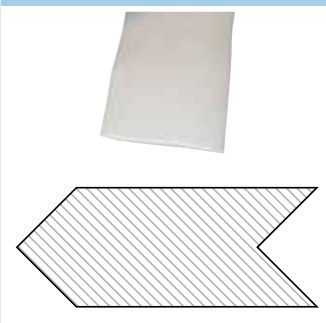
Material: PVC co-ex profile 85 mm. White / black lips.
Length: 5 m
With 4 soft lips
50.083095G: Min order: 250 m.

54.710780 *



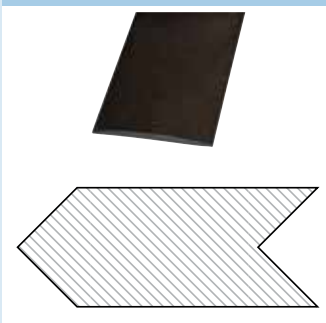
Material: PVC co-ex profile 85 mm. Black / grey
Hardness: Hard / soft
Length: 3 m
With 4 soft lips
Min. order: 50 pcs.

50.083000GG



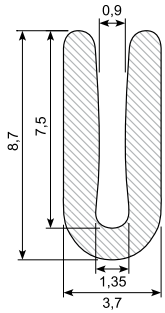
Grå hjørnebånd
Grey connection part. Soft PVC.
In running meters

50.083000SS



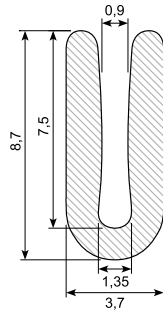
Sort hjørnebånd
Black connection part. Soft PVC.
In running meters

31.018S *



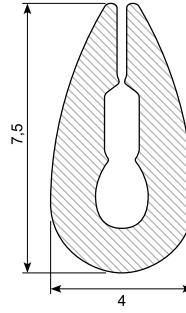
Material: Black EPDM
Hardness: SH 65
Min. order: 4.100 m

31.018X



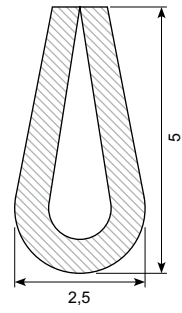
Material: PVC black
Hardness: SH 65

34.018 / 34.018X



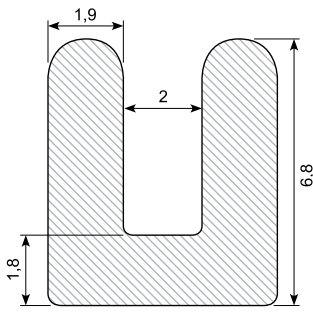
Material: Light grey PVC
Hardness: Soft

34.14334X



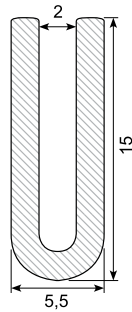
Material: Black PVC
Plade: 1,5 - 2 mm

31.060S



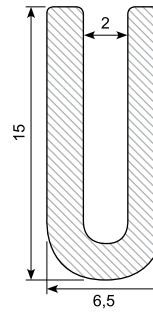
Material: EPDM black
Hardness: SH 65

31.041S



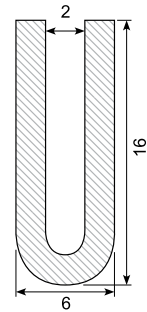
Material: EPDM black
Hardness: SH 65

31.042S



Material: EPDM black
Hardness: SH 65

30.OT3394 *



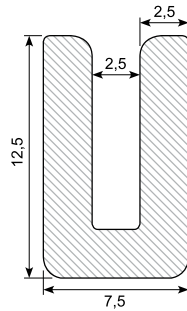
Material: Silicone black
Min. order: 100 m

31.047 *



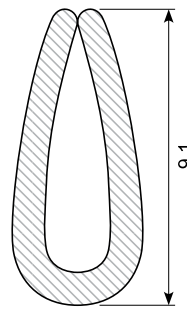
Material: EPDM black
Hardness: SH 65
Min. order: 1.000 m

31.063



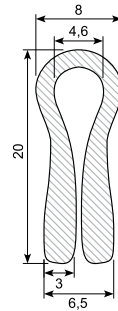
Material: EPDM black
Hardness: SH 65

30.9548



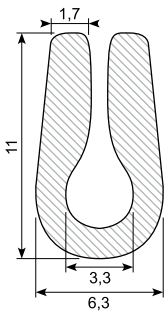
Material: Light grey hard PVC
Length: 3,9 m

31.025S



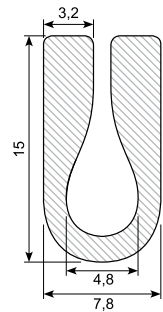
Material: EPDM black
Hardness: SH 65

31.021S



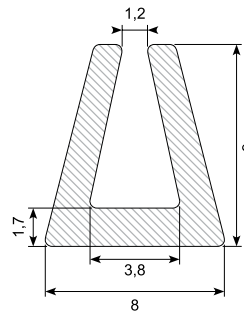
Material: EPDM black
Hardness: SH 65

31.022S



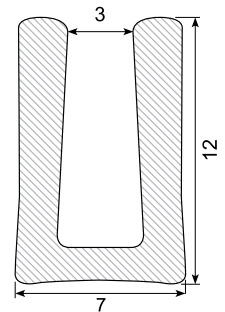
Material: EPDM black
Hardness: SH 65

34.031 / 34.031X



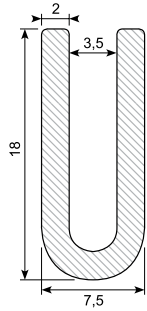
Material: PVC transparent
Hardness: Soft

30.13086



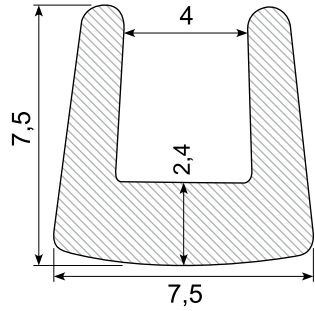
Material: EPDM black
Hardness: SH 80

31.043S



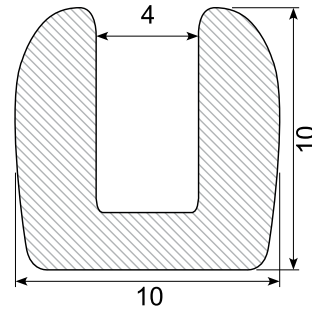
Material: EPDM black
Hardness: SH 65

31.064



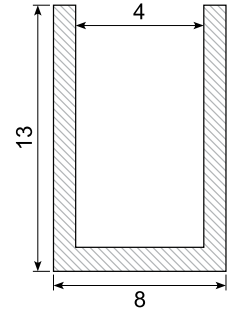
Material: EPDM black
Hardness: Hard

31.065S



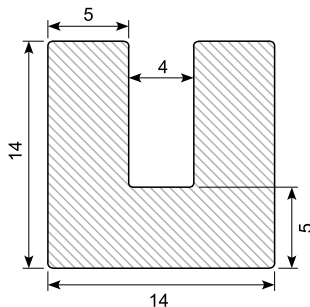
Material: EPDM black
Hardness: SH 65

31.061S



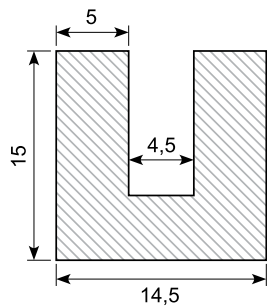
Material: EPDM black
Hardness: SH 65

30.6622N



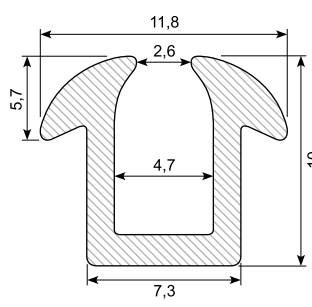
Material: NBR black
Hardness: SH 65
Oil resistant

30.6622 *



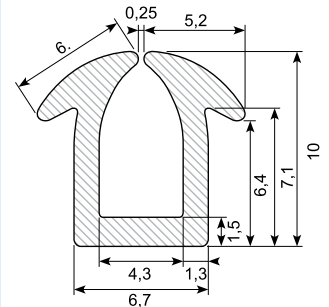
Material: EPDM black
Hardness: SH 65
Min. order: 500 m

31.216ST



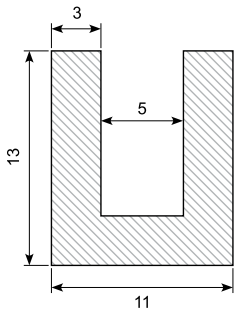
Material: EPDM black
Hardness: SH 65

31.216GS



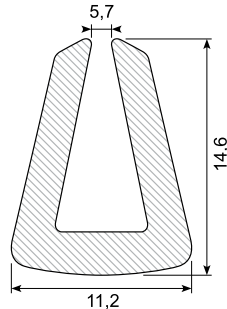
Material: Silicone light grey
Ral 7040
Hardness: SH 70

30.11459 *



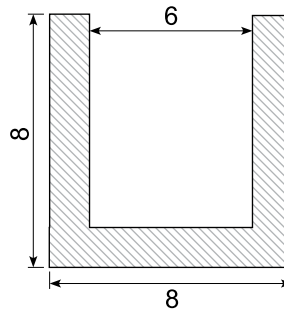
Material: Silicone transparent
Hardness: SH 45
Min. order: 250 m

34.035



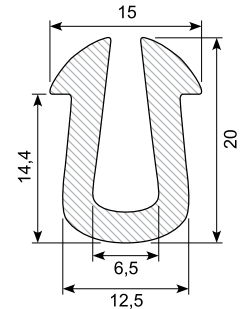
Material: PVC transparent
Hardness: Hard

31.066



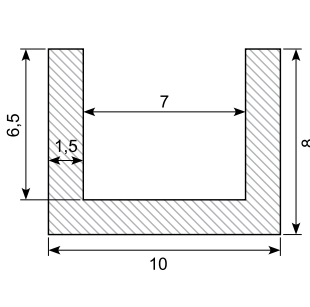
Material: Silicone black
Hardness: SH 70

30.6724



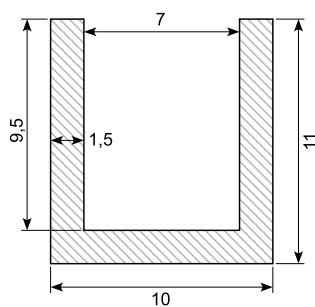
Material: EPDM black
Hardness: SH 65

30.14507-1 *



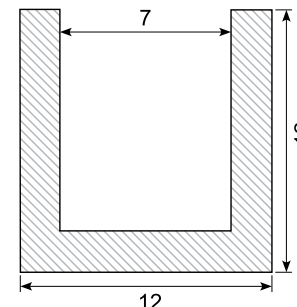
Material: EPDM black
Min. order: 3.000 m

30.14507-2 *



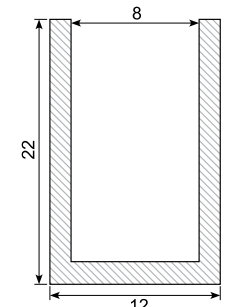
Material: EPDM black
Min. order: 3.000 m

31.068S



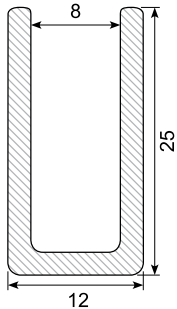
Material: EPDM black
Hardness: SH 65

30.1386



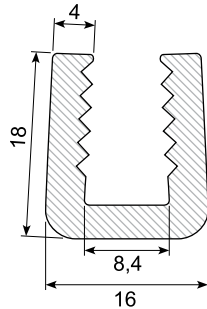
Material: EPDM black
Hardness: SH 65

30.OT3440 *



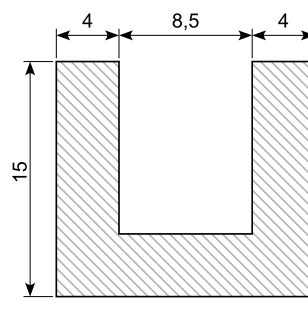
Material: Silicone black
 Hardness: SH 60
 Min. order: 100 m

30.12896



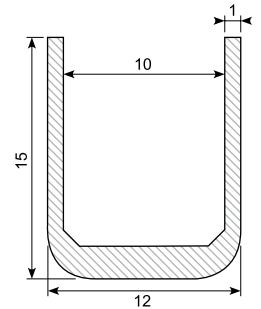
Material: EPDM black
 Hardness: SH 65

31.074S *



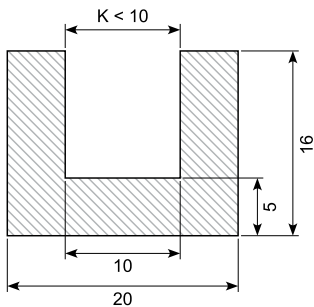
Material: EPDM black
 Min. order: 1.000 m

30.7987



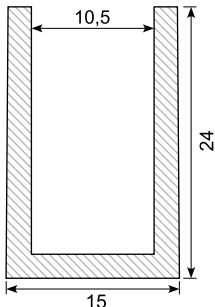
Material: EPDM black
 Hardness: SH 65

30.OT0136 *



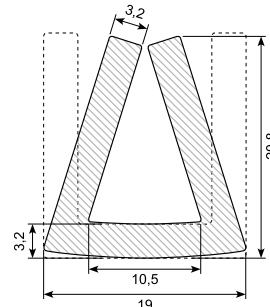
Material: White silicone
 Min. order: 100 m

31.070S



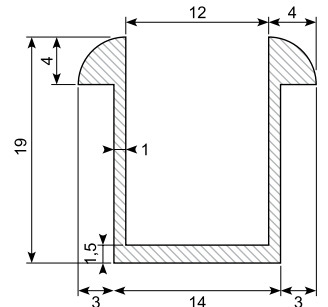
Material: EPDM black
 Hardness: SH 50

31.071S



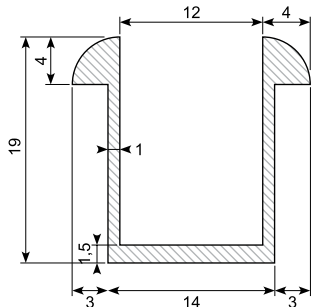
Material: EPDM black
 Hardness: SH 65

30.2449



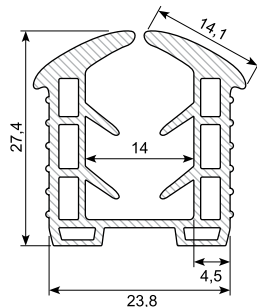
Material: Black PVC
 Length: 1.415 mm

30.2455



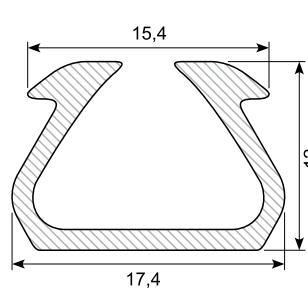
Material: Black PVC
 Length: 3.111 mm

30.11774



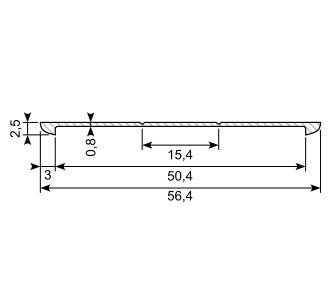
Material: EPDM
 Hardness: SH 65

30.7508 *



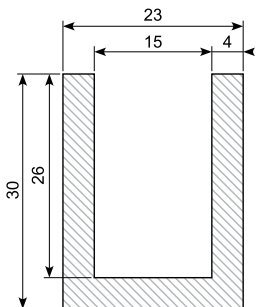
Material: EPDM black
 Hardness: SH 65
 Min. order: 400 m

30.9519



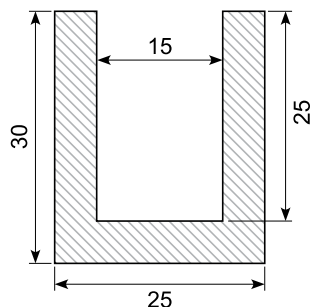
Material: Black soft PVC

30.12932-1 *



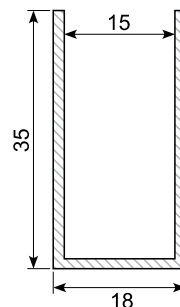
Material: Black EPDM
 Hardness: SH 60A
 Min. order: 500 m

30.13535 *



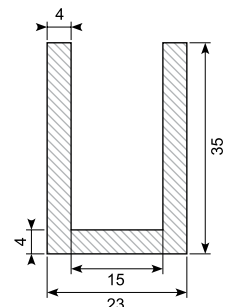
Material: EPDM black
 Hardness: SH 60
 Min. order: 420 m

30.7509



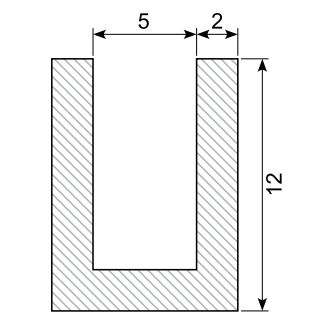
Material: EPDM black
 Hardness: SH 65

30.10777-1 *



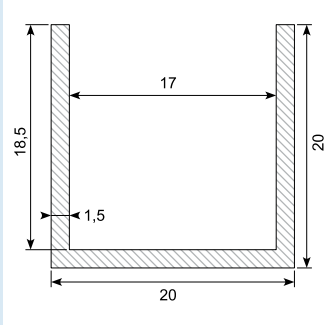
Material: TPE black
 Hardness: SH 60
 Min. order: 100 m

30.21101205



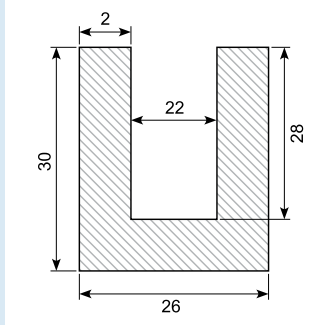
Material: EPDM
Hardness: SH 70

30.14507-3 *



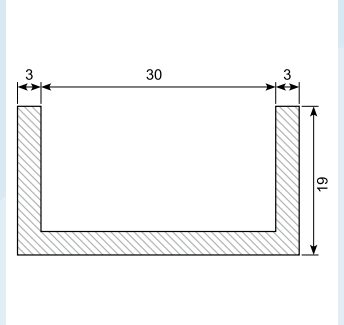
Material: EPDM
Min. order: 2.000 m

31.050



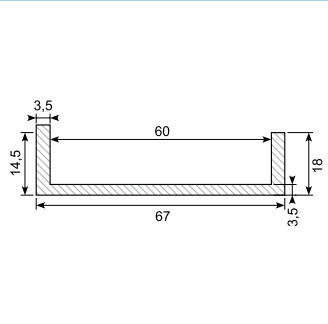
Material: EPDM black
Hardness: SH 65

30.14356



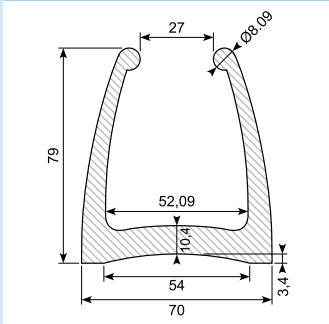
Material: Black TPE
Hardness: SH 60

31.048 *



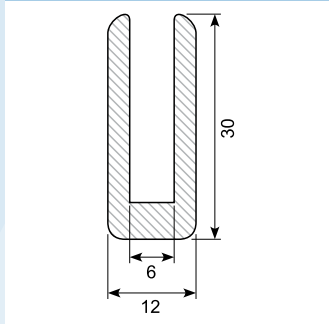
Material: EPDM black
Hardness: SH 65
Min. order: 250 m

30.11911 *



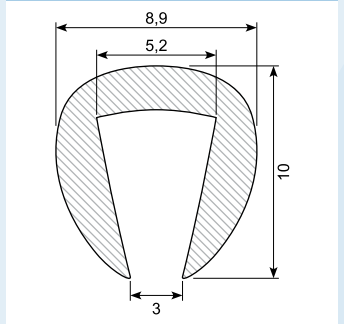
Material: EPDM
Hardness: SH 65
Min. order: 120 m

30.2984-5



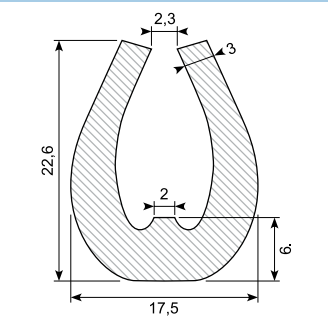
U-profile
Material: EPDM
Hardness: SH 70

34.117/6



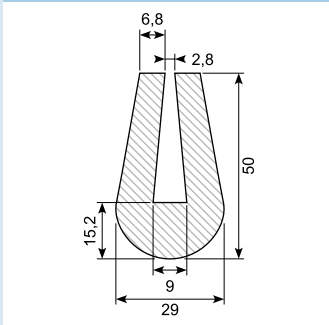
Material: Metal grey plastic

30.2984-6



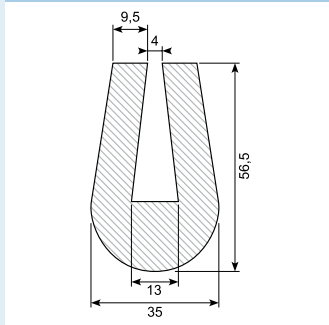
U-profile
Material: EPDM
Hardness: SH 80
Roll of 50 m

30.2984-1



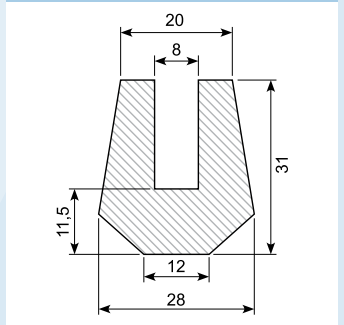
U-profile
Material: EPDM
Hardness: SH 70
Roll of 25 m

30.2984-2



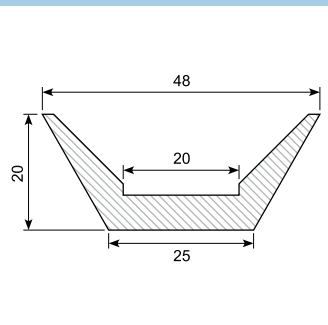
U-profile
Material: EPDM
Hardness: SH 65
Roll of 25 m

30.2984-3



U-profile
Material: EPDM
Hardness: SH 70
Roll of 25 m

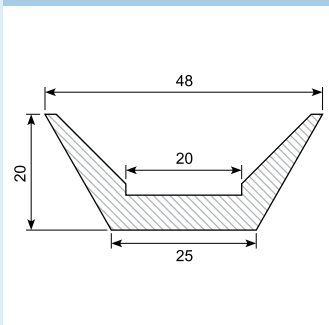
30.7519NBR *



Material: NBR grey
Hardness: SH 65
Length: 3 m
Min. order: 500 m

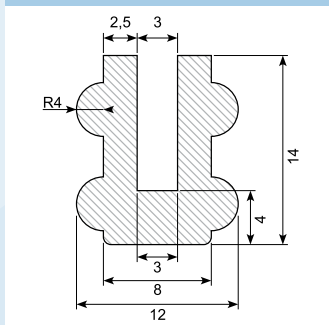
Oil resistant
* Skaffevare / Special order item

30.7519 *



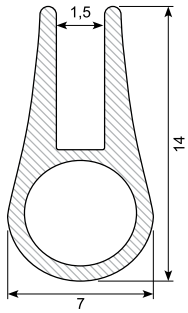
Material: EPDM black
Hardness: SH 65
Length: 50 m coils
Min. order: 50 m

30.14227 *



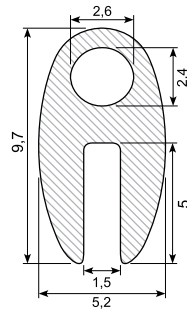
Material: Transperent silicone
Min. order: 100 m

31.037SI



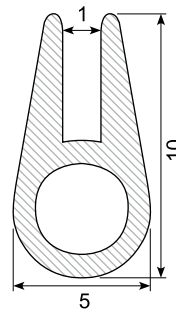
Material: Black silicone

31.035S



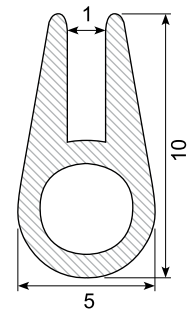
Material: EPDM black
Hardness: SH 65

31.036SI *



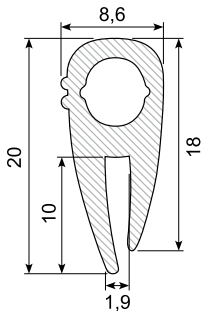
Material: Silicone black
Min. order: 200 m

31.036SI-LTC *



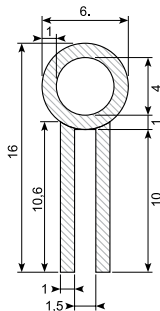
Material: Silicone black
UL94 approved
Min. order: 1.000 m

30.9884X *



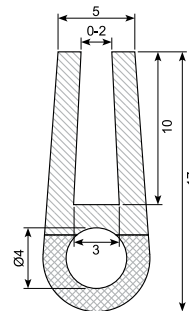
Material: EPDM
Min. order: 3.000 m

31.037 *



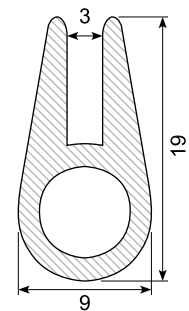
Material: EPDM
Hardness: SH 56 - 60A
Min. order: 2.000 m

30.9885



Material: EPDM
Hardness: SH 60

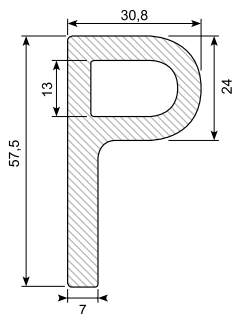
31.038SI



Material: Silicone black
Hardness: SH 60

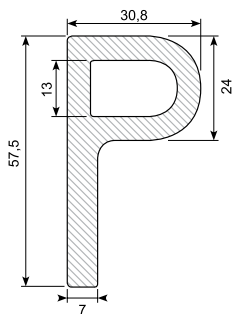
P-profiler / P-profiles

30.136



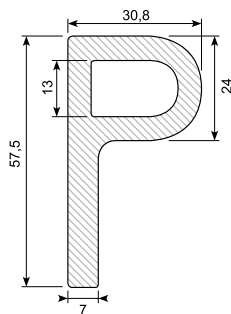
Material: EPDM black
Hardness: SH 65

30.136NBR



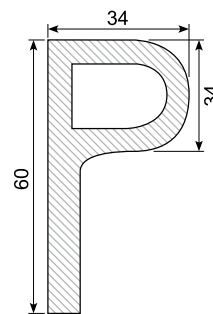
Material: EPDM black
Hardness: SH 65
Oil resistant

30.136/45



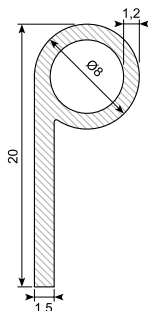
Material: EPDM black
Hardness: SH 45 soft

30.OT1057 *



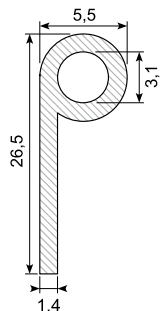
Material: Silicone white
Maks. 270°
Min. order: 50 m

30.182 *



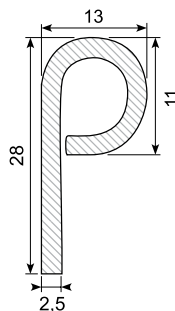
Material: Grey silicone
RAL 7040
Min. order: 100 m

30.22381



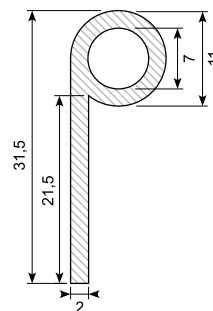
Material: CR black
Hardness: SH 70
Conditional oil resistant

30.148S *



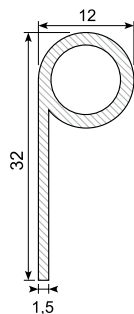
Material: EPDM black
Hardness: SH 65
Min. order: 450 m

30.7408X



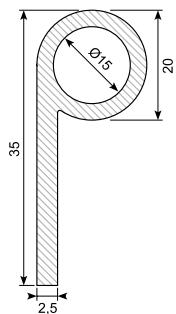
Material: Black EPDM

30.OT2036



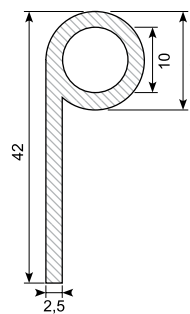
Material: Silicone black
Maks. 270°

30.140



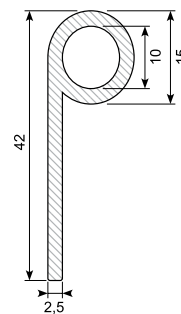
Material: EPDM

30.138S



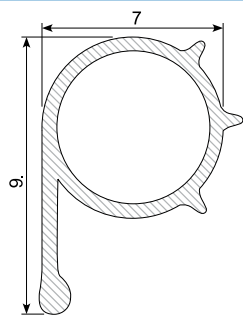
Material: EPDM black
Hardness: SH 65

30.138NBR *



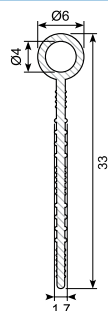
Material: NBR
Oil resistant
Min. order: 500 m

30.OT101 *



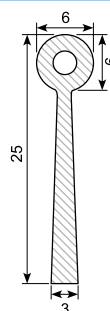
Material: Silicone brown
Min. order: 100 m

52.269 / 52.269X



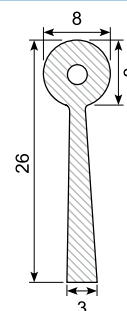
Material: PVC black
Hardness: Medium

30.174S



Material: EPDM black
Hardness: SH 65

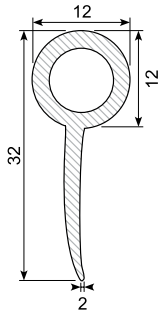
30.176 *



Material: EPDM black
Hardness: SH 65
Min. order: 1.000 m

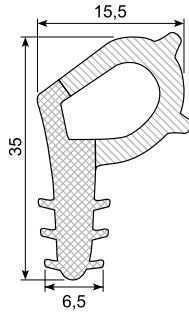
* Skaffevare / Special order item

30.180



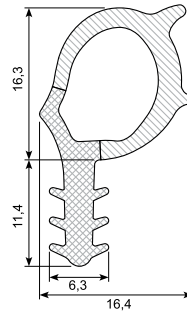
Material: EPDM black
Hardness: SH 65

30.8538



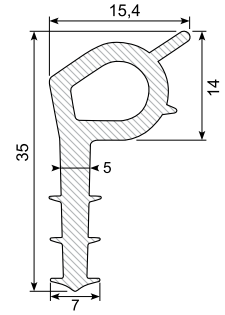
Material: EPDM co-ex
Hardness: SH 65 / density 0,70

30.8538B



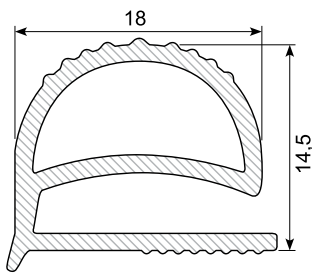
Material: EPDM co-ex
Hardness: SH 65 / density 0,5
Min. order: 2.000 m

30.OT3271 *



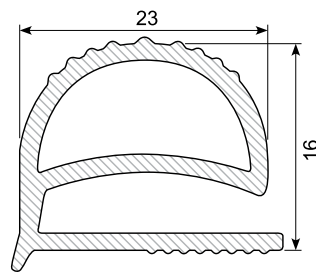
Material: Silicone light grey
Min. order: 500 m

30.6487 *



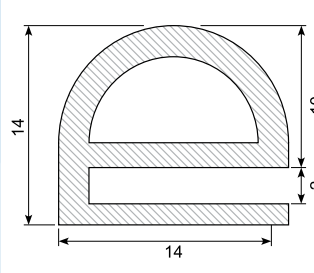
Material: PVC grey
Length: 3 m
Min. order: 1.000 m

30.SM251 *



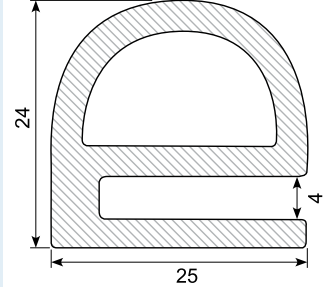
Material: TPE / EPDM grey
Hardness: SH 65
Length: 25 M
Min. order: 200 m

30.OT1081



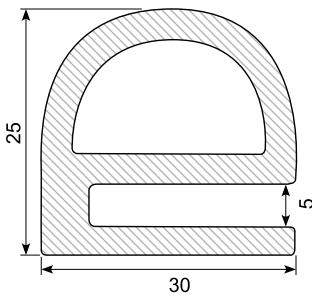
Material: Silicone white

30.OT3334



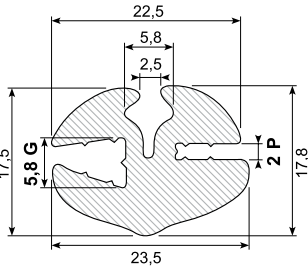
Material: Silicone white

31.OT2179 *



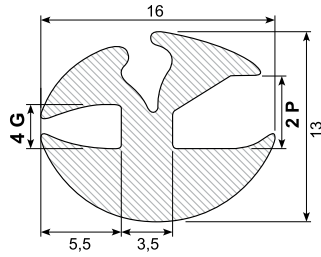
Material: Silicone white
Min. order: 100 m

32.016S



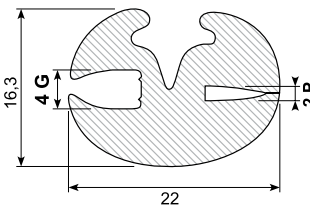
Material: EPDM black
Hardness: SH 65
Min. radius: 90 mm

32.924 **



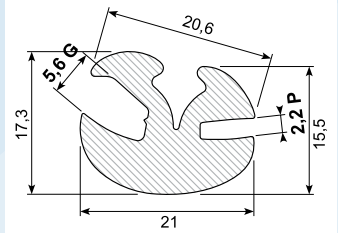
Material: EPDM black
Hardness: SH 60
Min. radius: 30 mm
Incl. wedge

32.2024CR *



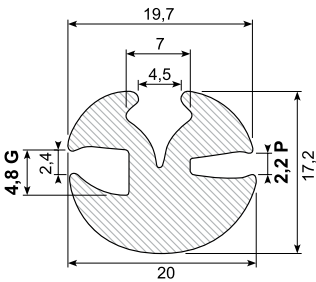
Material: CR black
Hardness: SH 65
Min. radius: 80 mm
Min. order: 200 m
Oil resistant

32.1024S



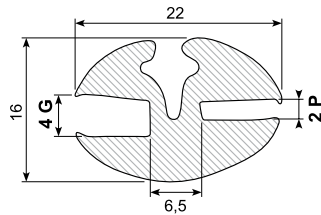
Material: EPDM black
Hardness: SH 65
Min. radius: 80 mm

32.1025S



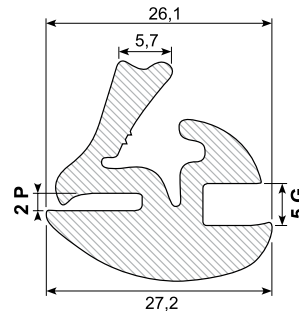
Material: EPDM black
Hardness: SH 65
Min. radius: 80 mm

32.2024M



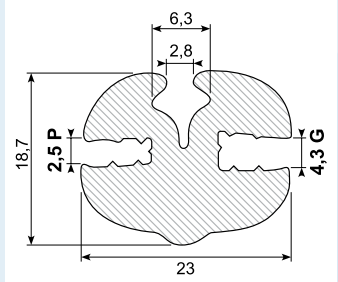
Material: EPDM black
Hardness: SH 65
Min. radius: 80 mm

32.1025SK



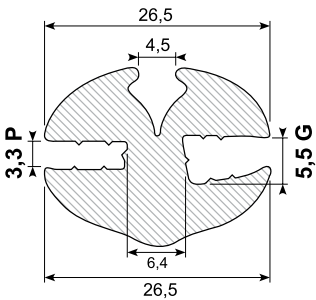
Material: EPDM black
Hardness: SH 65
Min. radius: 80 mm
Incl. wedge

32.034S



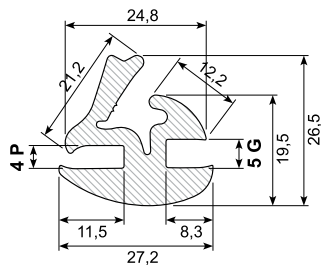
Material: EPDM black
Hardness: SH 65
Min. radius: 90 mm

32.036S



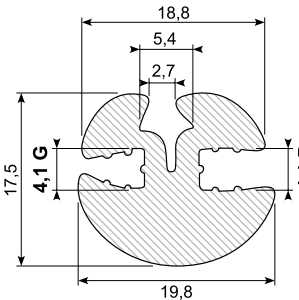
Material: EPDM black
Hardness: SH 65
Min. radius: 75 mm

32.1045SK *



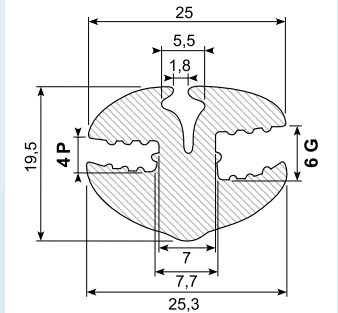
Material: EPDM black
Hardness: SH 65
Min. radius: 80 mm
Incl. wedge
Min. order: 100 m

32.044S



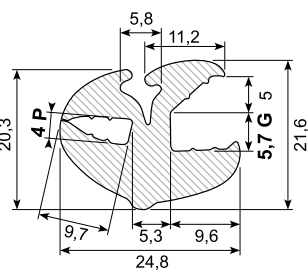
Material: EPDM black
Hardness: SH 65
Min. radius: 75 mm

32.046S



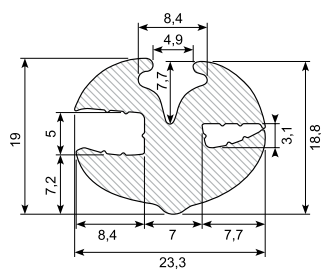
Material: EPDM black
Hardness: SH 65
Min. radius: 90 mm

32.2045M



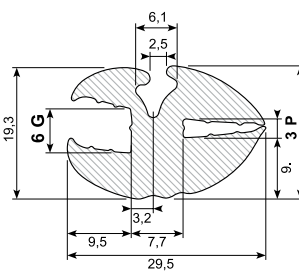
Material: EPDM black
Hardness: SH 65
Min. radius: 90 mm

30.8439



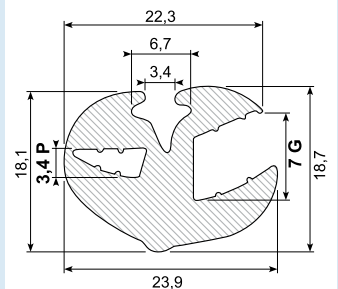
Material: EPDM
Hardness: SH 65

32.036X



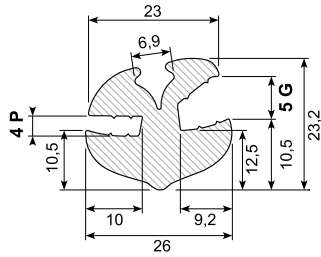
Material: EPDM
Hardness: SH 65

32.047



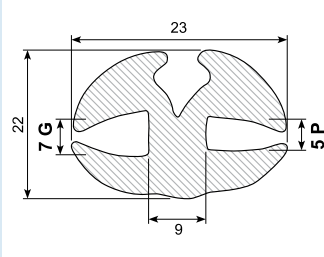
Material: EPDM black
Hardness: SH 65
Min. radius: 90 mm

32.1045S



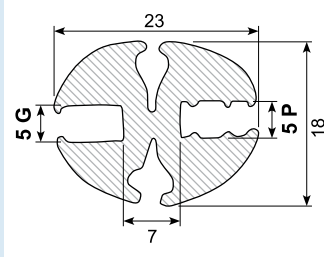
Material: EPDM black
Hardness: SH 65
Min. radius: 90 mm

32.057 *



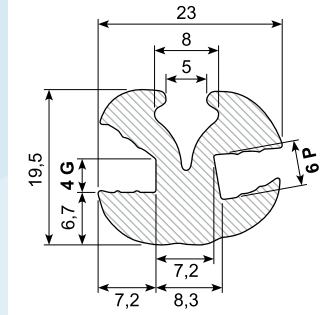
Material: EPDM black
Hardness: SH 65
Min. radius: 100 mm
Min. 300 m

32.255S



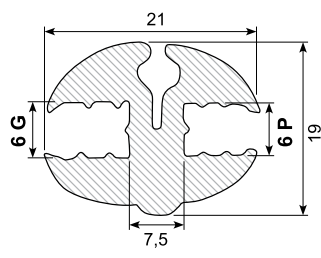
Material: EPDM black
Hardness: SH 65
Min. radius: 100 mm

32.064S



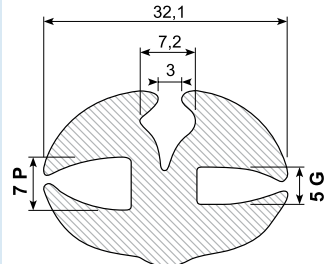
Material: EPDM black
Hardness: SH 70

32.066



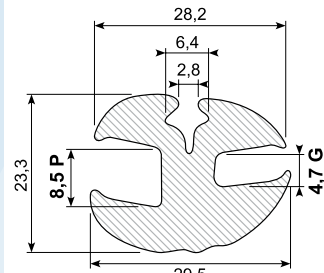
Material: EPDM black
Hardness: SH 65
Min. radius: 80 mm

32.075



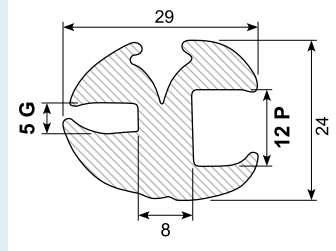
Material: EPDM black
Hardness: SH 65
Min. radius: 100 mm

32.095S



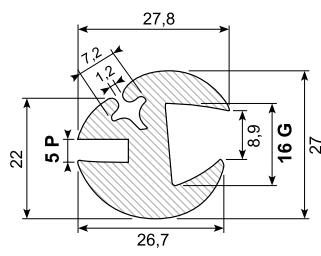
Material: EPDM black
Hardness: SH 65
Min. radius: 115 mm

32.512



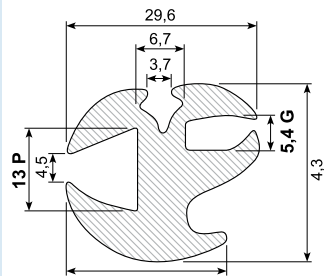
Material: EPDM black
Hardness: SH 65
Min. radius: 115 mm

32.165



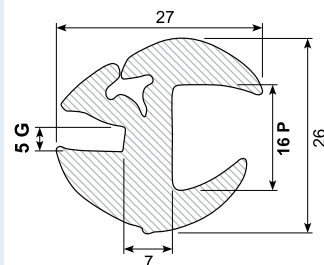
Material: EPDM black
Hardness: SH 65
Min. radius: 120 mm

32.514S



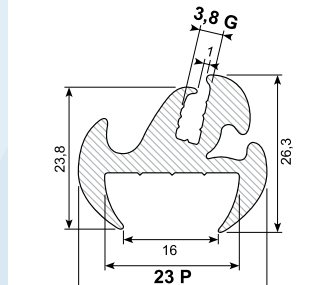
Material: EPDM black
Hardness: SH 65
Min. radius: 110 mm

32.516S



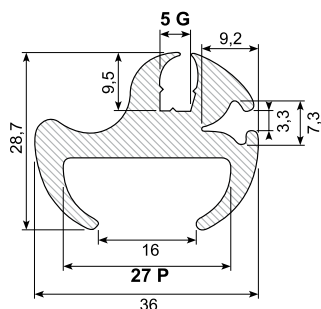
Material: EPDM black
Hardness: SH 65
Min. radius: 120 mm

32.523S



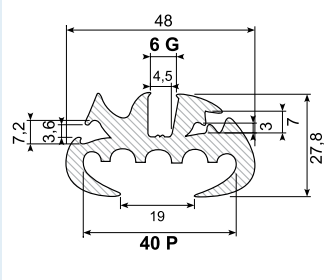
Material: EPDM black
Hardness: SH 65
Min. radius: 110 mm

32.527



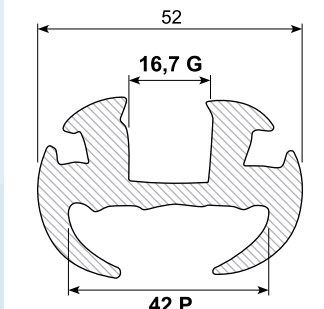
Material: EPDM black
Hardness: SH 65
Min. radius: 120 mm

32.1037S



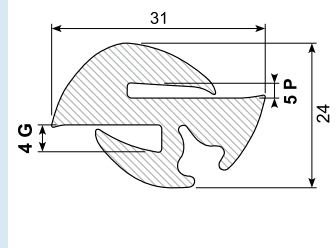
Material: EPDM black
Hardness: SH 65
Min. radius: 120 mm

32.1640



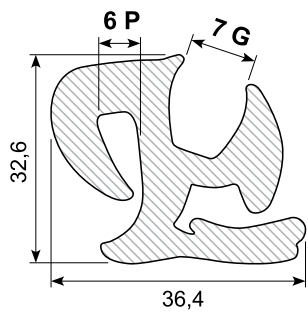
Material: EPDM black
Hardness: SH 65
Min. radius: 120 mm

32.754S



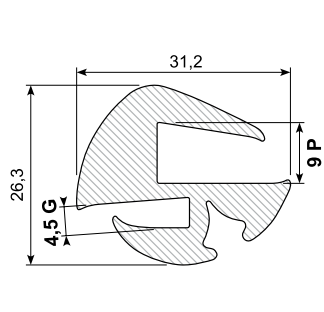
Material: EPDM black
Hardness: SH 65
Min. radius: 100 mm
Safety

32.866 *



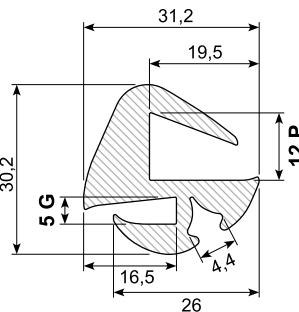
Material: EPDM black
 Hardness: SH 65
 Min. radius: 120 mm
 Safety
 Min. order: 250 m

32.795S



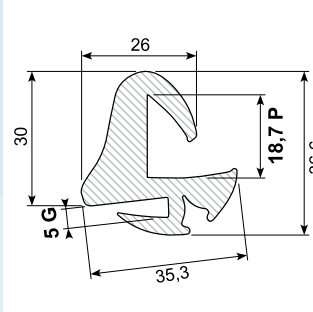
Material: EPDM black
 Hardness: SH 65
 Min. radius: 100 mm
 Safety

32.7125 *



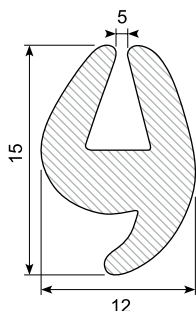
Material: EPDM black
 Hardness: SH 65
 Min. radius: 120 mm
 Safety
 Min. order: 250 m

32.7195S



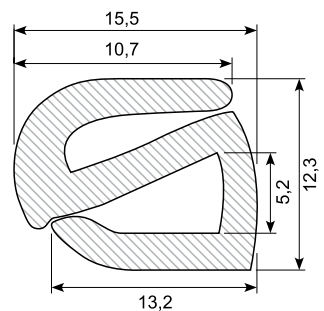
Material: EPDM black
 Hardness: SH 65
 Min. radius: 120 mm
 Safety

31.365



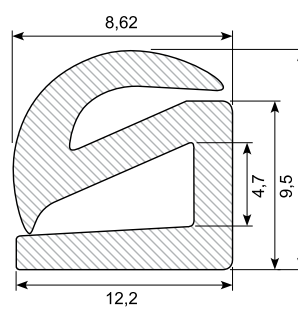
Material: EPDM black
 Hardness: SH 65

31.116S



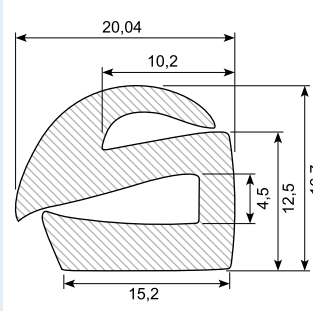
Material: EPDM black
 Hardness: SH 65

31.112S



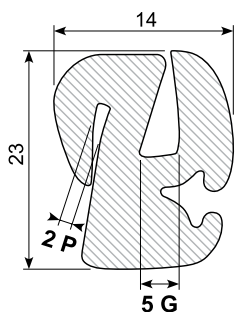
Material: EPDM black
 Hardness: SH 65

31.145S



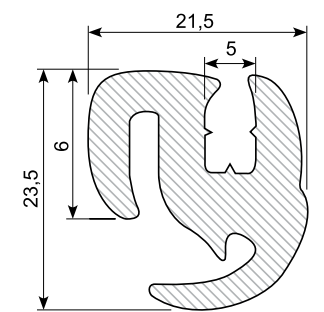
Material: EPDM black
 Hardness: SH 65

31.148



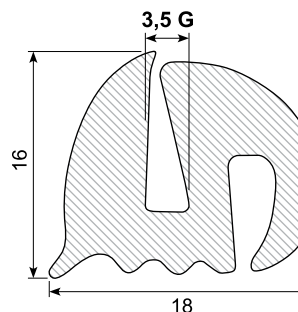
Material: EPDM black
 Hardness: SH 65

31.155



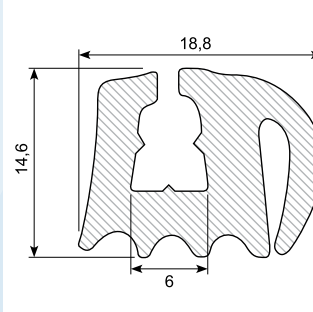
Material: EPDM black
 Hardness: SH 65

31.6701



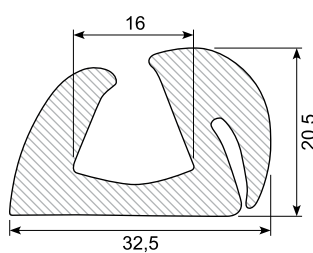
Material: EPDM black
 Hardness: SH 65

31.6703 *



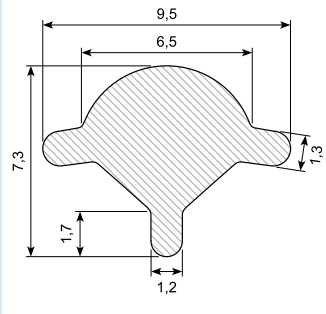
Material: EPDM black
 Hardness: SH 65
 Min. order: 1.000 m

31.6702 *



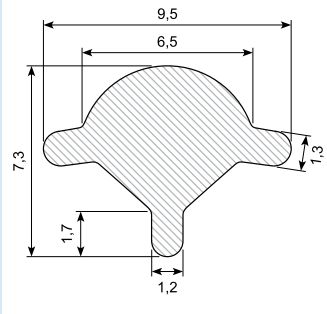
Material: EPDM black
 Hardness: SH 65
 Min. order: 500 m

32.309X



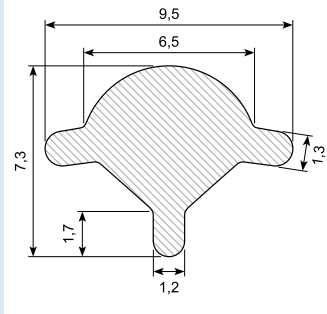
Material: PVC black

32.301 / 32.301X



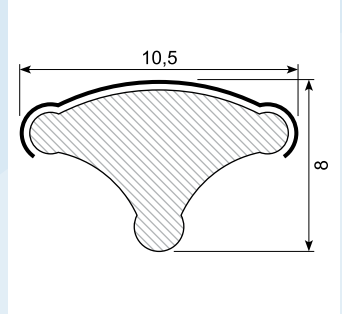
Material: PVC silver

32.300X



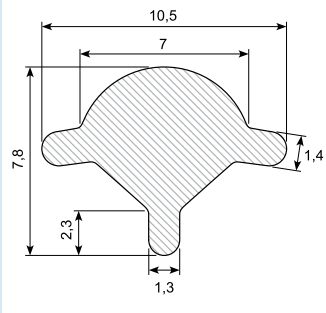
Material: PVC white

32.1301



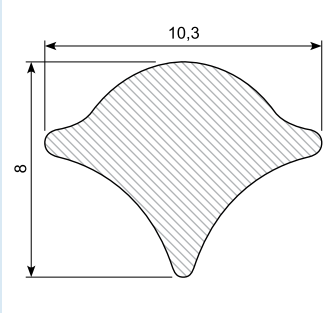
Material: PVC chrome

32.409 / 32.409X



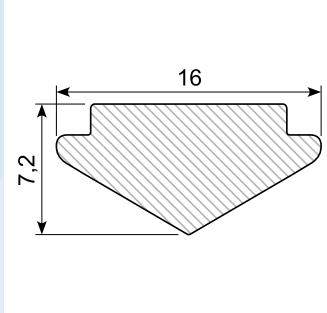
Material: PVC black

32.009S



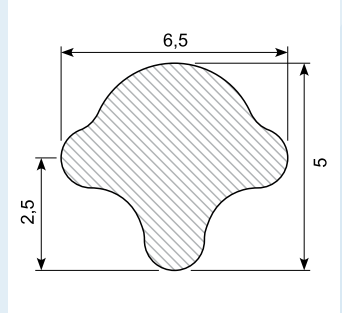
Material: EPDM black
Hardness: SH 65

32.010



Material: EPDM black
Hardness: SH 65

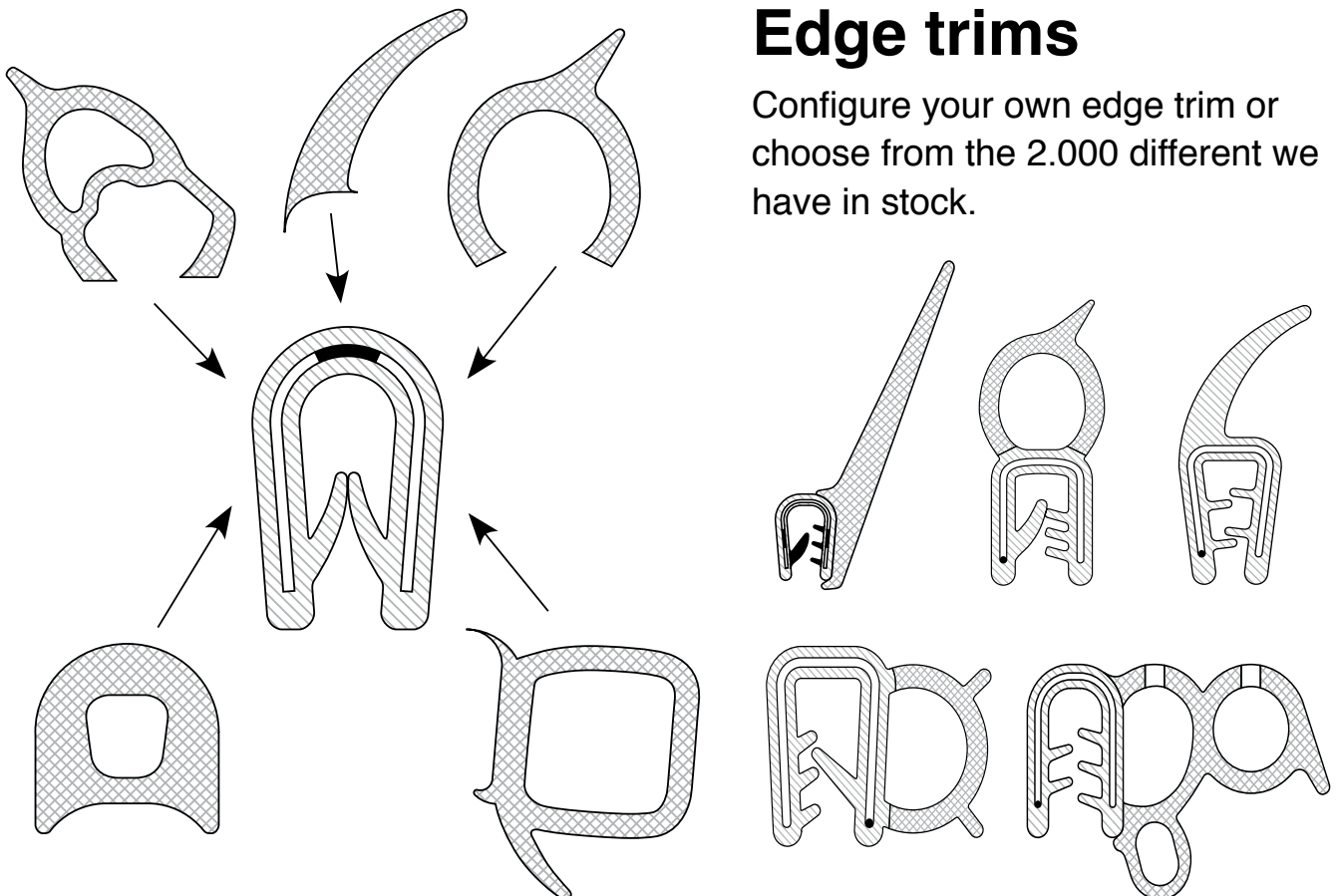
32.924K



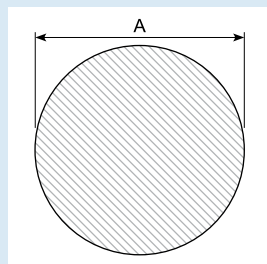
Material: EPDM black
For 32.924

Edge trims

Configure your own edge trim or choose from the 2.000 different we have in stock.



Svampegummi / Sponge rubber



Material: Black EPDM
Hardness: SH 16 - 20
density 0,45 - 0,6

Material: Dark grey CR
Hardness: SH 16 - 22
density 0,4 - 0,6

Material: Dark grey NR
Hardness: SH 16 - 22
density 0,4 - 0,55

Material: Dark grey EPDM
Hardness: SH 16 - 20
density 0,4 - 0,5

Art.	Ø (mm)
36.7003 *	3
36.7004	4
36.7005	5
36.7006 *	6
36.7008	8
36.7009	9
36.7010	10
36.7012	12
36.7015	15
36.7050 *	50

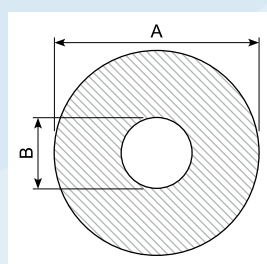
Art.	Ø (mm)
36.103CR	3
36.104CR	4
36.105CR	5
36.106CR	6
36.107CR	7
36.108CR *	8
36.110CR *	10
36.112CR *	12
36.115CR	15 (black)
36.118CR	18 (black)
36.119CR *	19
36.120CR *	20
36.122CR	22

Art.	Ø (mm)
36.102 *	2
36.102.5 *	2,5
36.103 *	3
36.104 *	4
36.106 *	6
36.108	8
36.110 *	10
36.112	12
36.115 *	15
36.120 *	20
36.125 *	25
36.130 *	30

Art.	Ø (mm)
36.102E	2
36.1025E *	2,5
36.103E	3
36.1035E	3,5
36.1045E *	4,5
36.105E *	5
36.106E	6
36.106EG * (Light grey)	6
36.106ESP	6
36.107E	7
36.108E *	8
36.108EG * (Light grey)	8
36.109E *	9
36.110E *	10
36.111E *	11
36.112E	12
36.112EG * (Light grey)	12
36.117E	17
36.120E	20
36.122E *	22
36.125E	25
36.130EX	30
36.135E	35

Material: Black EPDM
Hardness: SH 16 - 20
density 0,45 - 0,6

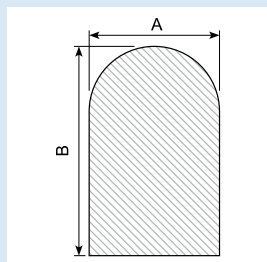
Art.	Ø (mm)	Min. order
36.7004.5X	4,5	3.000
36.7005X	5	3.000
36.7006X	6	3.000
36.7007X	7	3.000
36.7008X	8	3.000
36.7008.5X	8,5	3.000
36.7009X	9	3.000
36.7010X	10	3.000
36.7010.5X	10,5	3.000
36.7011X	11	3.000
36.7011.5X	11,5	3.000
36.7012X	12	3.000
36.7014X	14	3.000
36.7018X	18	
36.7028X	28	
36.7064X	64	



Material: Black EPDM

Art.	A x B (mm)	Min. length (m)
36.3416068 *	16 x 6,8	
36.34155105 *	15,5 x 10,5	
36.344511 *	45 x 11	
36.341840 *	40 x 18	200
36.342026 *	26 x 20	1.000
36.342030	30 x 20	Stock goods
36.342226 *	26 x 22	1.000
36.342232 *	32 x 22	500
36.342433 *	33 x 24	500
36.342529 *	29 x 25	1.000
36.342840 *	40 x 28	250

* Skaffevare / Special order item



Material: NR
Hardness: SH 16 - 20
density 0,45 - 0,6

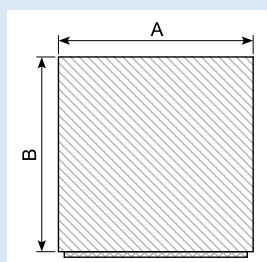
Art.	A x B (mm)	Color
36.197	4 x 6	Blue grey
36.198A *	6 x 8	Blue grey

Material: CR
Hardness: SH 16 - 20
density 0,4

Art.	A x B (mm)	Color
36.198CR *	6 x 8	Dark grey
36.200	8 x 8	Dark grey
36.202	10 x 12	Dark grey

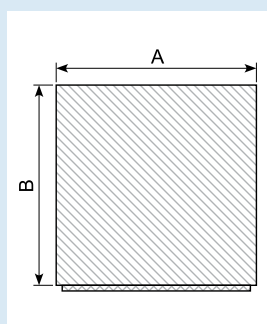
Material: EPDM

Art.	A x B (mm)	Color
36.198	6 x 8	Grey
36.198S	6 x 8	Black
36.199	6 x 10	Light grey
36.208	10 x 20	Light grey
36.3314	12 x 17	Dark grey



Material: Dark grey, EPDM
Hardness: SH 14 - 16
density 0,38 - 0,42

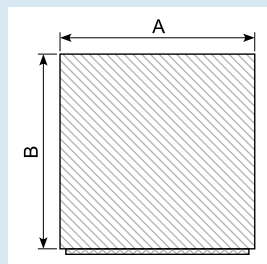
Art.	A x B (mm)	Varenr.	A x B (mm)	Art.	A x B (mm)	Art.	A x B (mm)
35.0806 *	8 x 6	35.1605	16 x 5	35.2515	25 x 15	35.4010	40 x 10
35.1003 *	10 x 3	35.1608 *	16 x 8	35.2520	25 x 20	35.4020	40 x 20
35.1004 *	10 x 4	35.18053	18 x 5,3	35.2525	25 x 25	35.4030 *	40 x 30
35.1005	10 x 5	35.2003	20 x 3	35.3005	30 x 5	35.4035 *	40 x 35
35.1007 *	10 x 7	35.2005	20 x 5	35.3007	30 x 7	35.4040	40 x 40
35.1008	10 x 8	35.20055 *	20 x 5,5	35.3010	30 x 10	35.4505 *	45 x 5
35.1010	10 x 10	35.2010	20 x 10	35.3012 *	30 x 12	35.5005 *	50 x 5
35.1203 *	12 x 3	35.2012 *	20 x 12	35.3015	30 x 15	35.5006 *	50 x 6
35.1209 *	12 x 9	35.2015	20 x 15	35.3020	30 x 20	35.5010 *	50 x 10
35.1212	12 x 12	35.2018 *	20 x 18	35.3025	30 x 25	35.5010E	50 x 10
35.1503 *	15 x 3	35.2020	20 x 20	35.3030	30 x 30	35.6010 *	60 x 10
35.1507	15 x 7	35.2502	25 x 2	35.3505	35 x 5	35.6040 *	60 x 40
35.1510	15 x 10	35.2505	25 x 5	35.3510 *	35 x 10		
35.1512 *	15 x 12	35.2506 *	25 x 6	35.3535	35 x 35		
35.1515	15 x 15	35.2510	25 x 10	35.4005	40 x 5		



Material: Dark grey, EPDM, with adhesive
Hardness: SH 14 - 16
density 0,38 - 0,42

Art.	A x B (mm)	Varenr.	A x B (mm)	Art.	A x B (mm)	Art.	A x B (mm)
35.0806K *	8 x 6	35.1507K *	15 x 7	35.2207K *	22 x 7	35.3505K *	35 x 5
35.0808K *	8 x 8	35.1510K	15 x 10	35.2505K	25 x 5	35.3510K *	35 x 10
35.1003K	10 x 3	35.1512K *	15 x 12	35.2506K *	25 x 6	35.3535K *	35 x 35
35.1004K *	10 x 4	35.1515K	15 x 15	35.2508K *	25 x 8	35.4003K	40 x 3
35.1005K	10 x 5	35.1605K *	16 x 5	35.2510K	25 x 10	35.4005K	40 x 5
35.1007K *	10 x 7	35.1608K *	16 x 8	35.2515K	25 x 15	35.4010K	40 x 10
35.1008K	10 x 8	35.1708K *	17 x 8	35.2520K	25 x 20	35.4012K *	40 x 12
35.1010K	10 x 10	35.1803K *	18 x 3	35.2525K	25 x 25	35.4020K *	40 x 20
35.1203K *	12 x 3	35.18053K *	18 x 5,3	35.2806K	28 x 6	35.4030K	40 x 30
35.1204K *	12 x 4	35.1809K *	18 x 9	35.3003K	30 x 3	35.4035K	40 x 35
35.1204KL	12 x 4	35.1904K *	19 x 4	35.3005K	30 x 5	35.4040K	40 x 40
35.1206K *	12 x 6	35.2003K	20 x 3	35.3006K	30 x 6	35.4505K *	45 x 5
35.1208K *	12 x 8	35.2005K	20 x 5	35.3007K *	30 x 7	35.5006K	50 x 6
35.1209K *	12 x 9	35.20055K *	20 x 5,5	35.3010K	30 x 10	35.5010K	50 x 10
35.1212K	12 x 12	35.2010K *	20 x 10	35.3012K	30 x 12	35.5020K *	50 x 20
35.1503K *	15 x 3	35.2010KL	20 x 10	35.3015K	30 x 15	35.6002K	60 x 2
35.1504K	15 x 4	35.2012K	20 x 12	35.3020K	30 x 20	35.8020K *	80 x 20
35.1505K	15 x 5	35.2015K	20 x 15	35.3025K *	30 x 25	35.10020K *	100 x 20
35.1506K	15 x 6	35.2020K	20 x 20	35.3030K	30 x 30		

Svampegummi / Sponge rubber

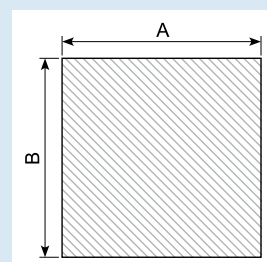


Material: White silicone
Hardness: SH 16 - 20
density 0,4 - 0,5

Material: Black silicone
Hardness: SH 16 - 20
density 0,4 - 0,5

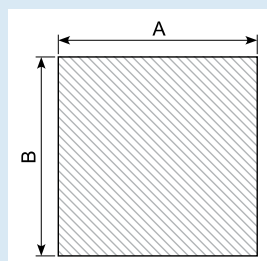
Art.	A x B (mm)	Art.	A x B (mm)	Art.	A x B (mm)
36.1003SIH*	10 x 3	36.1812SIH*	18 x 12	36.2515SIH*	25 x 15
36.1006SIH*	10 x 6	36.2003SIH*	20 x 3	36.2520SIH	25 x 20
36.1010SIH*	10 x 10	36.2005SIH	20 x 5	36.2525SIH	25 x 25
36.1212SIH	12 x 12	36.2010SIH*	20 x 10	36.3010SIH*	30 x 10
36.1505SIH	15 x 5	36.2010SIHK* (with adhesive)	20 x 10	36.3020SIH*	30 x 20
36.1512SIH	15 x 12	36.2015SIH	20 x 15	36.4012SIH*	40 x 12
36.1610SIH*	16 x 10	36.2020SIH*	20 x 20	36.5005SIH*	50 x 5
36.1616SIH	16 x 16	36.2510SIH	25 x 10		

Art.	A x B (mm)
36.2010SIS*	20 x 10
36.2520SIS*	25 x 20



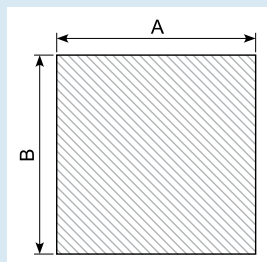
Material: Dark grey, EPDM
Hardness: SH 16 - 20
density 0,4 - 0,5

Art.	A x B (mm)	Art.	A x B (mm)	Art.	A x B (mm)
36.1010E (black)	10 x 10	36.2010E	20 x 10	36.4015E	40 x 15
36.1210E*	12 x 10	36.2510E	25 x 10	36.4020E	40 x 20
36.1503E*	15 x 3	36.2520E*	25 x 20	36.4025E*	40 x 25
36.1505E	15 x 5	36.2525E*	25 x 25	36.4030E	40 x 30
36.1510E	15 x 10	36.3010E	30 x 10	36.5020E*	50 x 20
36.1512E	15 x 12	36.3025E	30 x 25	36.6030E*	60 x 30
36.1612E*	16 x 12	36.3520E	35 x 20		
36.1815EG (light grey)	18 x 15	36.4010E	40 x 10		

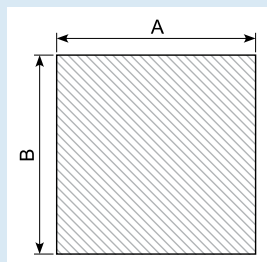


Material: Dark grey, NR
Hardness: SH 16 - 20
density 0,4 - 0,5

Art.	A x B (mm)	Art.	A x B (mm)	Art.	A x B (mm)
36.0505*	5 x 5	36.1605*	16 x 5	36.3005	30 x 5
36.0806*	8 x 6	36.1808G	18 x 8	36.3010	30 x 10
36.1003	10 x 3	36.1816*	18 x 16	36.3015	30 x 15
36.1005	10 x 5	36.2002*	20 x 2	36.3020	30 x 20
36.1005G (light grey)*	10 x 5	36.2003*	20 x 3	36.3030	30 x 30
36.1007*	10 x 7	36.2005	20 x 5	36.3516*	35 x 16
36.1008*	10 x 8	36.2010	20 x 10	36.4010	40 x 10
36.1010 (black)	10 x 10	36.2015	20 x 15	36.4012*	40 x 12
36.1205*	12 x 5	36.2020	20 x 20	36.4015*	40 x 15
36.1206	12 x 6	36.2503*	25 x 3	36.4025	40 x 25
36.1210	12 x 10	36.2505	25 x 5	36.5010*	50 x 10
36.1503	15 x 3	36.2510	25 x 10	36.5020	50 x 20
36.1510	15 x 10	36.2515	25 x 15	36.5025*	50 x 25
36.1512*	15 x 12	36.2520*	25 x 20	36.5030	50 x 30
36.1515	15 x 15	36.2525	25 x 25	36.6030*	60 x 30
36.1604*	16 x 4	36.3003*	30 x 3		

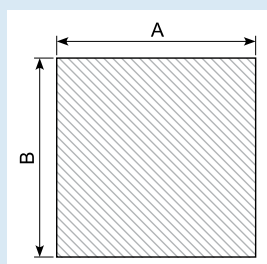


Material: Black, CR
 Hardness: SH 18 - 25
 density 0,5 - 0,75



Economy
 Material: Black
 Hardness: Density 0,45

Art.	A x B (mm)
36.1010CR *	10 x 10
36.2010CR *	20 x 10
36.2020CR *	20 x 20
36.3015CR	30 x 15
36.4020CR *	40 x 20
36.5005CR *	50 x 5



Material: NBR

Art.	A x B (mm)
36.6020NBR	60 x 20

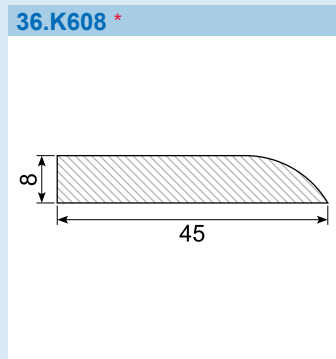


Sponge rubber plates
 Material: EPDM / NR
 Color: Dark grey

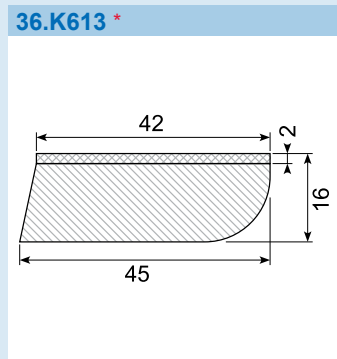
Art.	Length (mm)	Thickness (mm)	Width (mm)	Quality
38.152EPDM	1.000	2	1.000	EPDM
38.153EPDM	1.000	3	1.000	EPDM
38.154EPDM	1.000	4	1.000	EPDM
38.155EPDM	1.000	5	1.000	EPDM
38.156EPDM	1.000	6	1.000	EPDM
38.158EPDM	1.000	8	1.000	EPDM
38.160EPDM	1.000	10	1.000	EPDM
38.162EPDM	1.000	12	1.000	EPDM
38.165EPDM	1.000	15	1.000	EPDM
38.170EPDM	1.000	20	1.000	EPDM
38.175EPDM	1.000	25	1.000	EPDM
38.180NR	1.000	30	1.000	NR

Art.	A x B (mm)	Min. order (m)	
36.1005X	10 x 5		
36.1505X	15 x 5		
36.2005X	20 x 5		
36.2505X	25 x 5		
36.3005X	30 x 5		
36.1406X	14 x 6		
36.1007X	10 x 7		
36.1507X	15 x 7		
36.2507X	25 x 7		
36.2008X *	20 x 8	3.000	
36.2508X *	25 x 8	3.000	
36.1010X	10 x 10		
36.1210X	12 x 10		
36.2010X *	20 x 10	3.000	
36.4010X	40 x 10		
36.5010X	50 x 10		
36.12511X	12,5 x 11		
36.1212X	12 x 12		
36.1612X	16 x 12		
36.2318X	23 x 18		
36.3015X	30 x 15		
36.3515X	35 x 15		
36.4020X *	40 x 20	3.000	
36.3020X	30 x 20		Soft corners
36.3520X	35 x 20		Soft corners
36.7013X	70 x 13		Soft corners
36.2512X	25 x 12		Soft corners

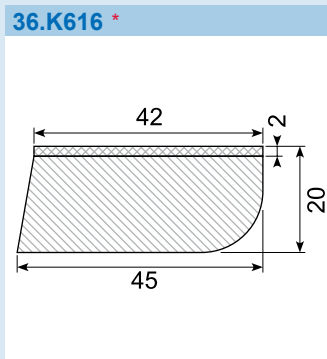
Svampegummi / Sponge rubber



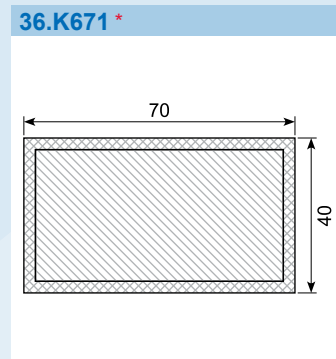
Color: Black



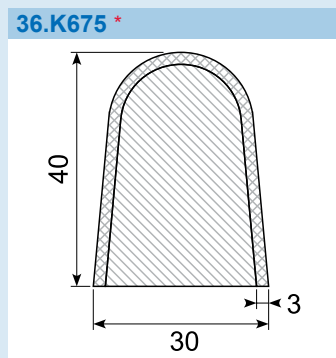
Color: Black



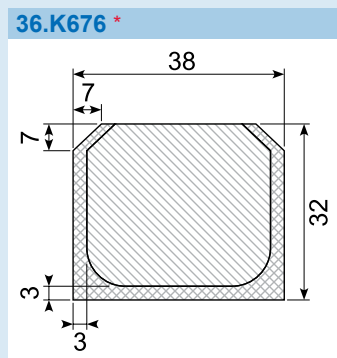
Color: Black



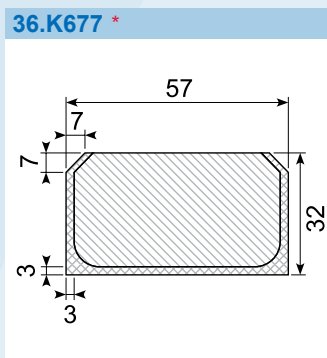
Color: Black



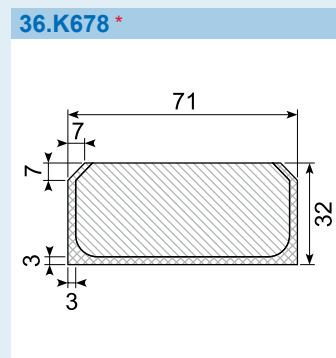
Color: Black



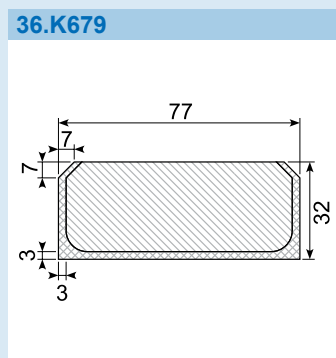
Color: Black



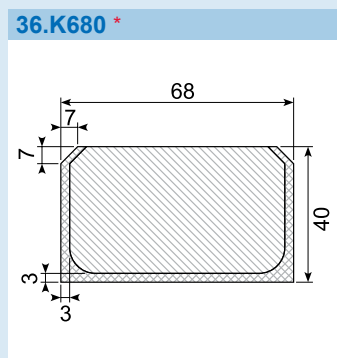
Color: Black



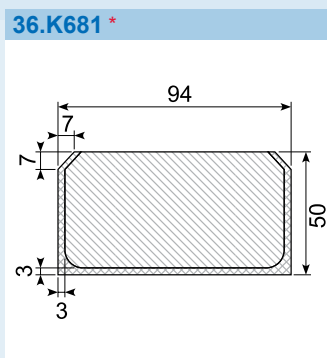
Color: Black



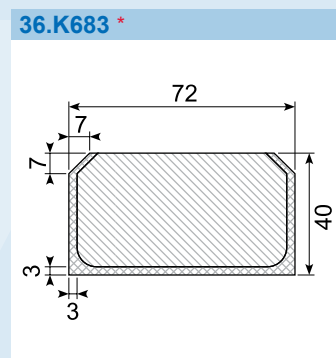
Color: Black



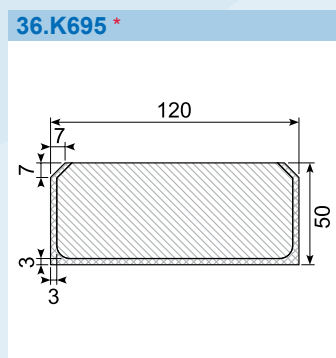
Color: Black



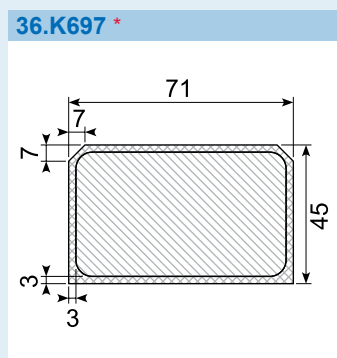
Color: Black



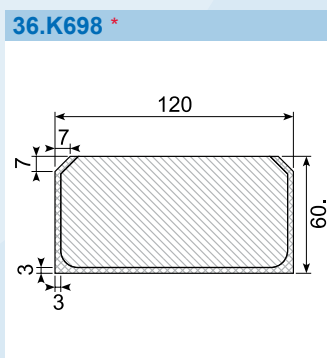
Color: Black



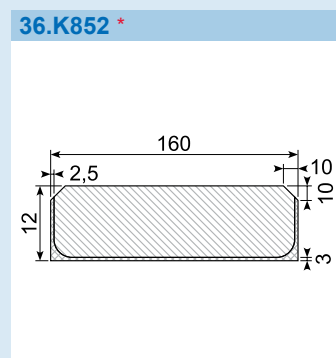
Color: Black



Color: Black

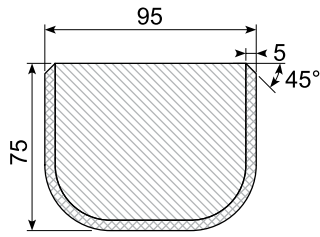


Color: Black



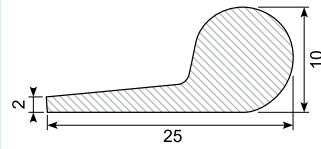
Color: Black

36.K853 *



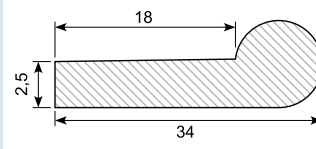
Color: Black

36.3351 *



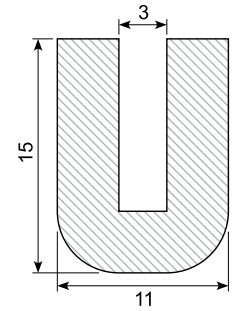
Material: EPDM black
Hardness: SH 14 - 16
density 0,38 - 0,4
Min. order: 500 m

36.3354 *



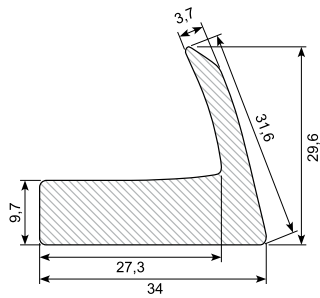
Material: NR dark grey
Hardness: SH 16 - 20
density 0,4
Min. order: 500 m

36.3813



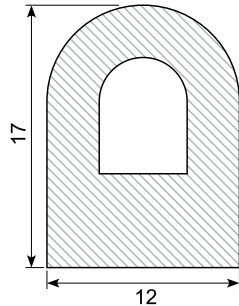
Material: EPDM dark grey
Hardness: SH 16 - 20
density 0,4 - 0,45

36.B380



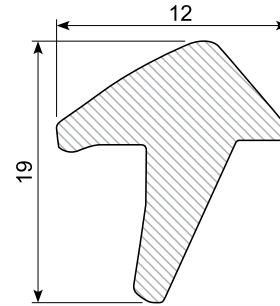
Material: EPDM
Length: 3 m

36.3315



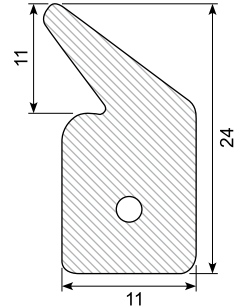
Material: EPDM black
Hardness: SH 18 - 20
density 0,45 - 0,55

36.3504



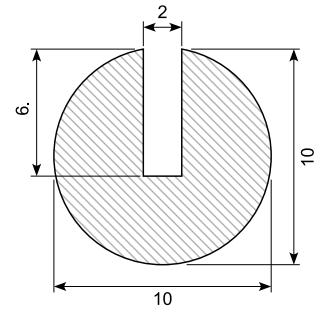
Material: EPDM dark grey
Hardness: SH 14 - 16
density 0,38 - 0,42

36.3881



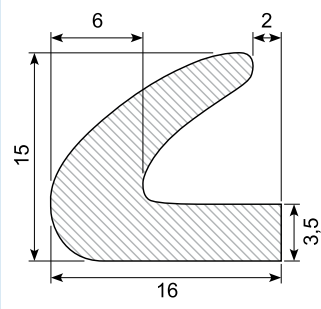
Material: EPDM grey
Hardness: SH 16 - 20
density 0,4 - 0,5

36.14044 *



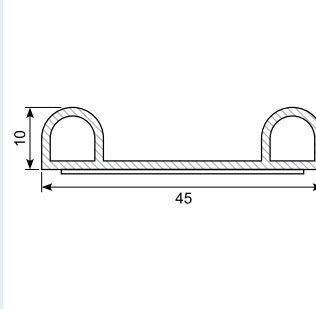
Material: EPDM
Min. order: 500 m

36.3704



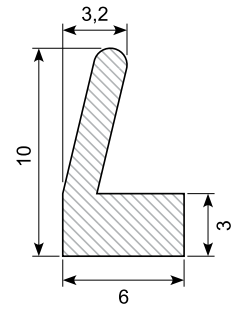
Material: NR dark grey
Hardness: SH 20 - 25
density 0,55 - 0,65

30.13144



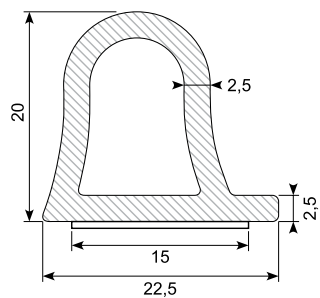
Material: EPDM
with adhesive

36.3897



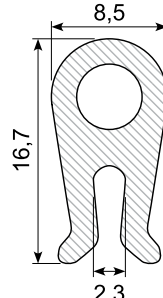
Material: Light grey EPDM

30.13315 *



Hardness: Density 0,7
Min. order: 1.000 m
With adhesive

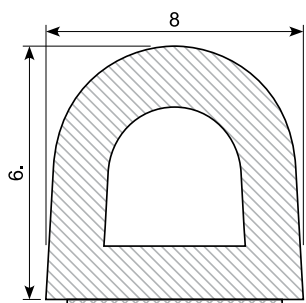
30.9884S *



Material: EPDM
Min. order: 3.000 m

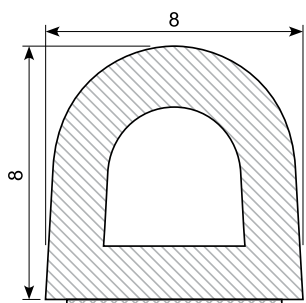
Svampegummi / Sponge rubber

36.9086S



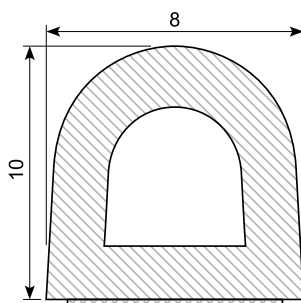
Material: Black EPDM with adhesive

36.9088S



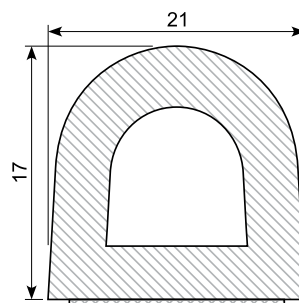
Material: Black EPDM with adhesive

36.90810



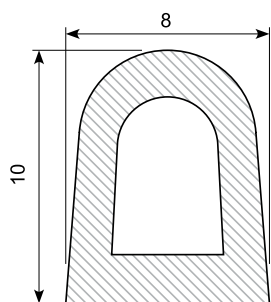
Material: Black EPDM with adhesive

36.92117



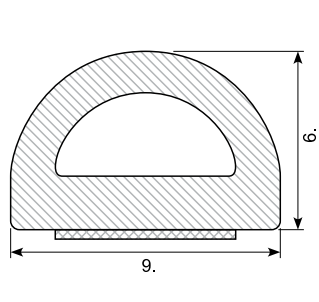
Material: Black EPDM with adhesive

36.730810



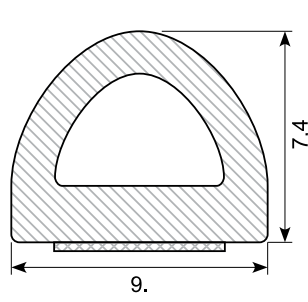
Material: EPDM
Density: 0,35 - 0,45
With adhesive

36.730906 - 36.730906H *



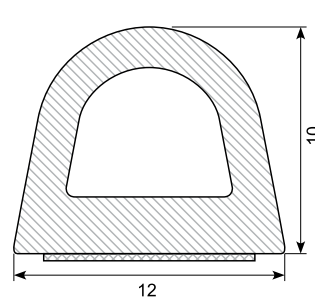
Material: White EPDM with adhesive
Density: 0,25 - 0,35

36.730907 - 36.730907G



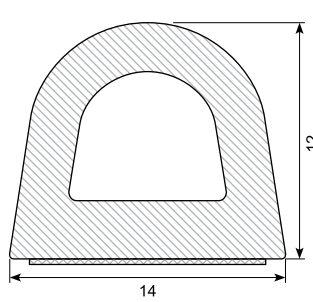
Material: Black/grey EPDM with adhesive
Density: 0,25 - 0,35

36.731210 - 36.731210H



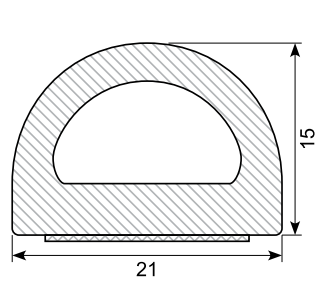
Material: EPDM with adhesive
Density: 0,25 - 0,35

36.731412D



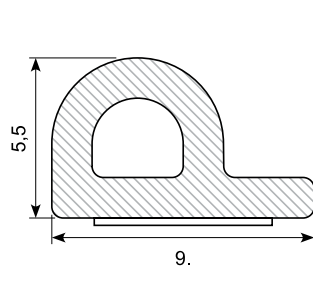
Material: EPDM with adhesive
Density: 0,25 - 0,35

36.732115



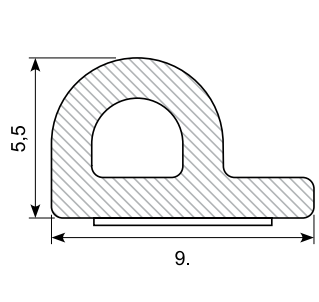
Material: EPDM with adhesive
Density: 0,45 - 0,55

36.80955S



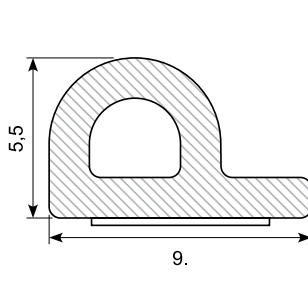
Material: Black EPDM with adhesive

36.730955



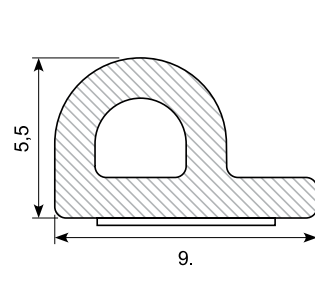
Material: Black EPDM with adhesive
Density: 0,25 - 0,35

36.730955G



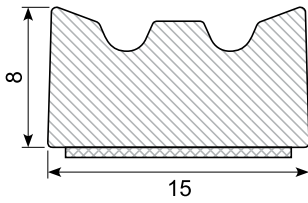
Material: Light grey with adhesive
Density: 0,25 - 0,35

36.730955H



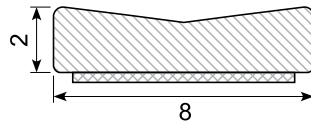
Material: White with adhesive
Density: 0,25 - 0,35

36.721508



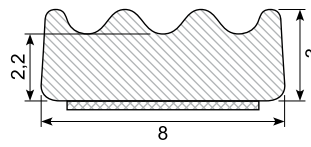
Material: Black EPDM
Density: 0,35 - 0,45
With adhesive

36.720802



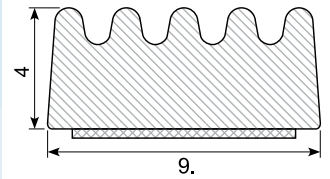
Material: Black EPDM
Density: 0,35 - 0,45
With adhesive

36.720803



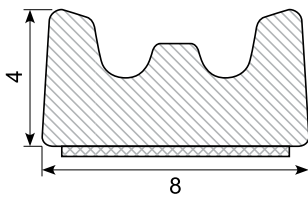
Material: Black EPDM
Density: 0,35 - 0,45
With adhesive

36.720904



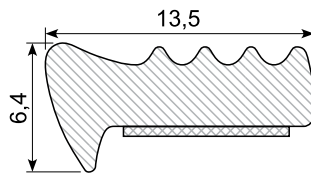
Material: Black EPDM
Density: 0,35 - 0,45
With adhesive

36.720804



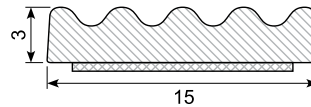
Material: Black EPDM
Density: 0,35 - 0,45
With adhesive

36.7213564



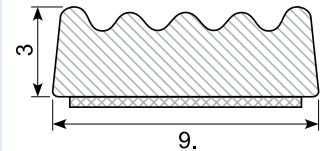
Material: Black EPDM
Density: 0,35 - 0,45
With adhesive

36.721503



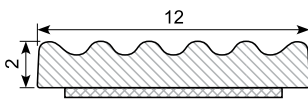
Material: Black EPDM
Density: 0,35 - 0,45
With adhesive

36.720903



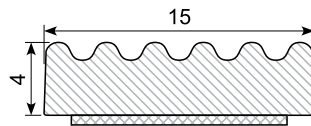
Material: Black EPDM
Density: 0,35 - 0,45
With adhesive

36.721202



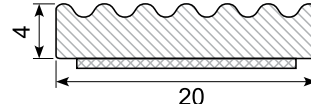
Material: Black EPDM
Density: 0,35 - 0,45
With adhesive

36.721504



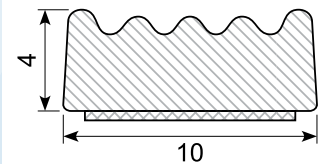
Material: Black EPDM
Density: 0,35 - 0,45
With adhesive

36.722004



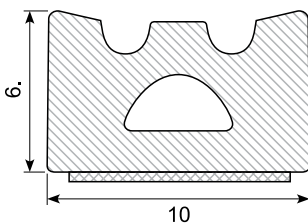
Material: Black EPDM
Density: 0,35 - 0,45
With adhesive

36.721004



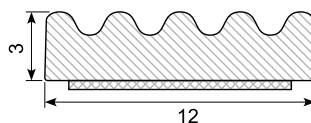
Material: Black EPDM
Density: 0,35 - 0,45
With adhesive

36.721006



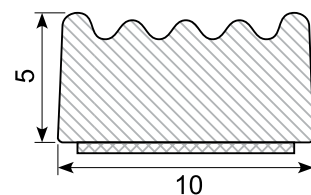
Material: Black EPDM
Density: 0,35 - 0,45
With adhesive

36.721203



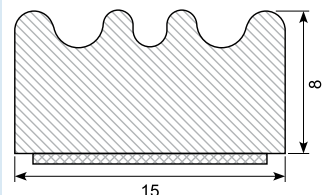
Material: Black EPDM
Density: 0,35 - 0,45
With adhesive

36.721005



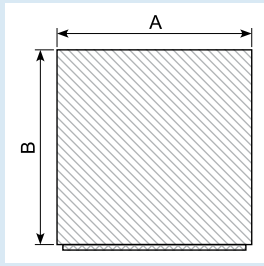
Material: Black EPDM
Density: 0,35 - 0,45
With adhesive

36.721508B



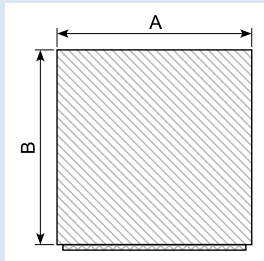
Material: Black EPDM
Density: 0,25 - 0,35
With adhesive

Cellegummi / Cellular rubber



Material: Black EPDM,
with adhesive
Hardness: SH 25
density 0,14

Art.	A x B (mm)	Art.	A x B (mm)	Art.	A x B (mm)	Art.	A x B (mm)
36.60403 *	4 x 3	36.61005	10 x 5	36.61530 *	15 x 30	36.63005	30 x 5
36.60404 *	4 x 4	36.61008	10 x 8	36.61603	16 x 3	36.63010	30 x 10
36.60405	4 x 5	36.61010	10 x 10	36.61710 *	17 x 10	36.63012	30 x 12
36.60503	5 x 3	36.61203	12 x 3	36.61808	18 x 8	36.64003	40 x 3
36.60505	5 x 5	36.61204 *	12 x 4	36.62002	20 x 2	36.64005 *	40 x 5
36.60605 *	6 x 5	36.61205	12 x 5	36.62003	20 x 3	36.64010	40 x 10
36.60802	8 x 2	36.61310 *	13 x 10	36.62004	20 x 4	36.64015	40 x 15
36.60803	8 x 3	36.61502 *	15 x 2	36.62005	20 x 5	36.65003	50 x 3
36.60804	8 x 4	36.61503	15 x 3	36.62008	20 x 8	36.65010	50 x 10
36.60805 *	8 x 5	36.61505	15 x 5	36.62010	20 x 10	36.66004 *	60 x 4
36.60808	8 x 8	36.61506	15 x 6	36.62305 *	23 x 5	36.66004X	60 x 4
36.61001	10 x 1	36.61508	15 x 8	36.62502	25 x 2	36.67502 *	75 x 2
36.61002	10 x 2	36.61510	15 x 10	36.62506	25 x 6		
36.61003	10 x 3	36.61512	15 x 12	36.62510	25 x 10		
36.61004	10 x 4	36.61518 *	15 x 18	36.62525 *	25 x 25		



Material: CR, with
standard
adhesive.
CR-5952 tape
without glass-
fiber
Hardness: SH 25
density 0,14

Art.	A x B (mm)	Art.	A x B (mm)	Art.	A x B (mm)
36.60802CR	8 x 2	36.62004CR *	20 x 4	36.65005CR-5952 *	50 x 5
36.60804CR	8 x 4	36.63005CR-5952 *	30 x 5	36.65007CR *	50 x 7
36.60808CR *	8 x 8	36.63030CR	30 x 30	36.68005CR *	80 x 5
36.61003CR *	10 x 3	36.63204CR *	32 x 4	36.68005CR-5952 *	80 x 5
36.61010CR *	10 x 10	36.64005CR *	40 x 5		
36.61609CR *	16 x 9	36.65005CR *	50 x 5		

Cellular rubber plates no adhesive

Material: EPDM
Color: Black

Art.	Length (mm)	Thickness (mm)	Width (mm)	Quality
38.188 *	1.000	40	2.000	EPDM
38.189 *	1.000	50	2.000	EPDM

Cellular rubber plates with adhesive

Material: EPDM
Color: Black

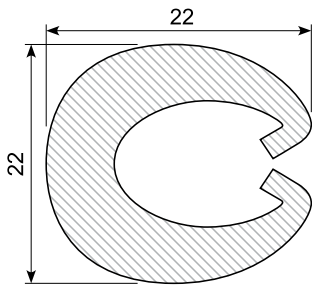
Art.	Length (mm)	Thickness (mm)	Width (mm)	Quality
38.160E/K	1.000	10	2.000	EPDM
38.170E/K *	1.000	20	2.000	EPDM
38.175E/K *	1.000	25	2.000	EPDM

Cellular rubber plates

Material: CR
Color: Black

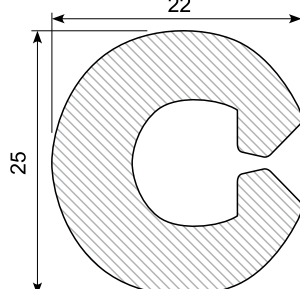
Art.	Length (mm)	Thickness (mm)	Width (mm)	Quality
38.190 *	1.000	10	1.400	CR
38.191 *	1.000	15	1.400	CR

34.601* / 34.601G*



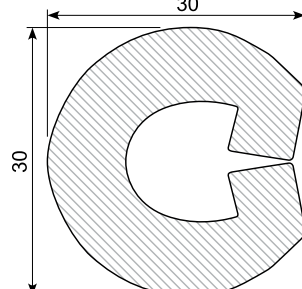
Material: PVC black
Min. order: 5 m
34.601G* PVC grey
Min. order: 50-500m

34.602* / 34.602G*



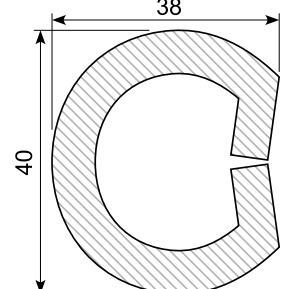
Material: PVC black
Min. order: 5 m
34.602G* PVC grey
Min. order: 50 m

34.603 / 34.603G



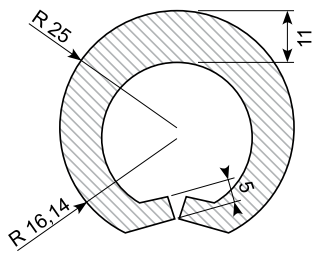
Material: PVC black
34.603G Grey

34.604*



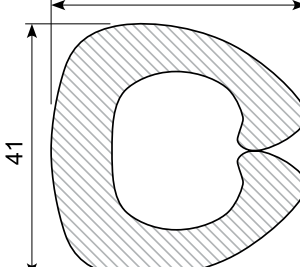
Material: PVC black
Min. order: 50 m

34.7102-50*



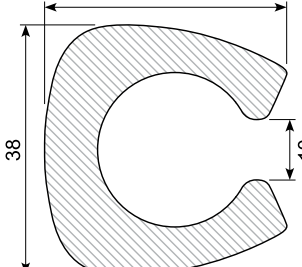
Material: PVC black
Min. order: 5 m

34.614*



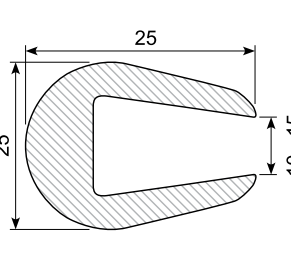
Material: PVC black
Min. order: 50 m

34.62105*



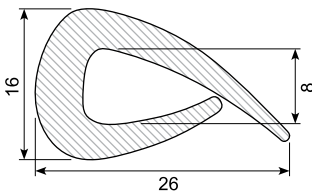
Material: EPDM black
Min. order: 5 m

34.3032*



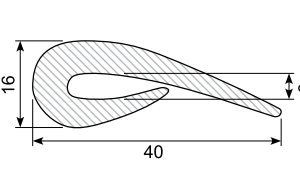
Material: PVC black
Min. order: 51 m

34.641*



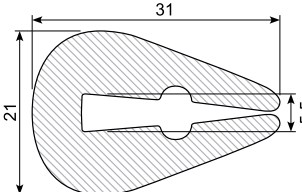
Material: PVC black
Min. order: 5 m

34.643*



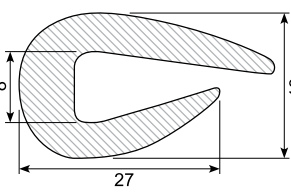
Material: PVC black
Min. order: 50 m

34.644*



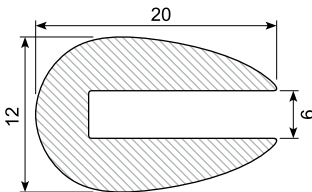
Material: PVC black
Min. order: 50 m

34.620010*



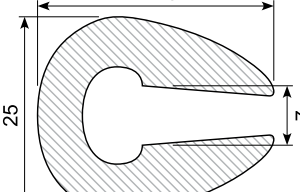
Material: PVC black
Min. order: 5 m

34.620040



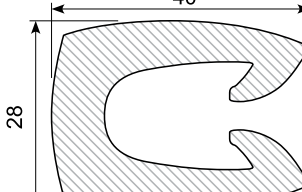
Material: PVC black
Min. order: 5 m

34.620210



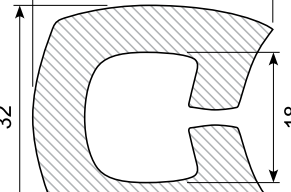
Material: PVC black
Min. order: 5 m

34.613



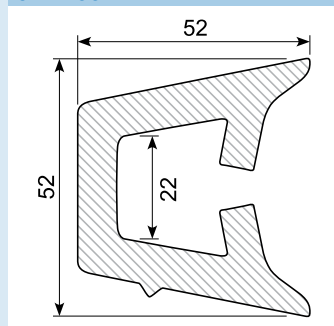
Material: PVC black

34.7196*



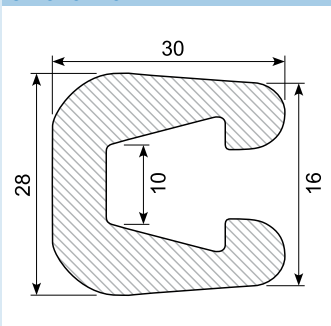
Material: PVC black
Min. order: 20 m

34.7199 *



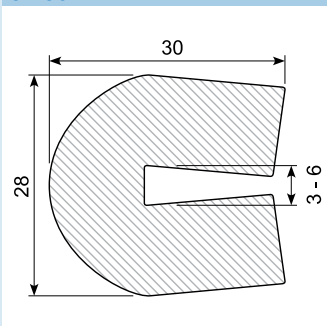
Material: PVC black
Min. order: 25 m

34.620140 *



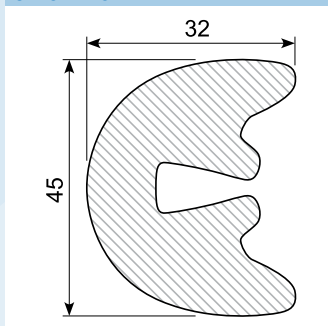
Material: PVC black
Min. order: 5 m

34.3011



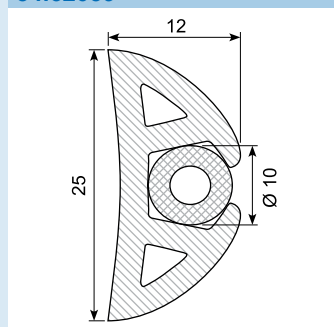
Material: PVC black

34.62110 *



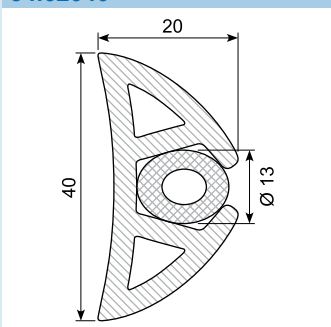
Material: PVC black
Min. order: 5 m

34.62039 *



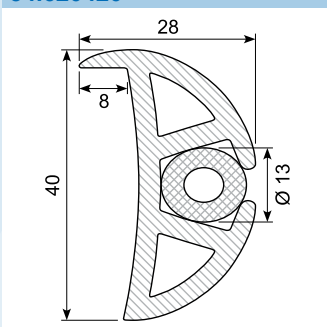
Material: PVC black
Min. order: 5 m

34.62040



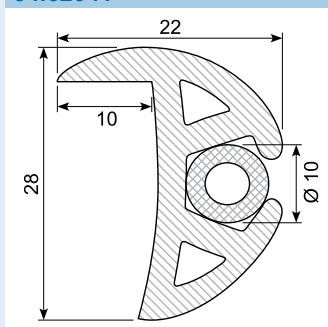
Material: PVC black

34.620420 *



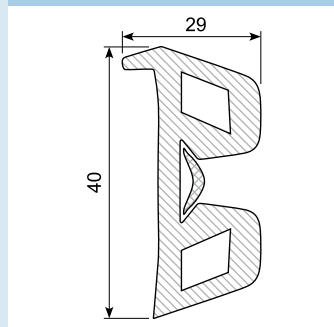
Material: PVC black
Min. order: 5 m

34.62041



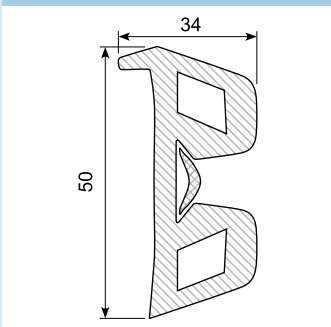
Material: PVC black

34.624 *



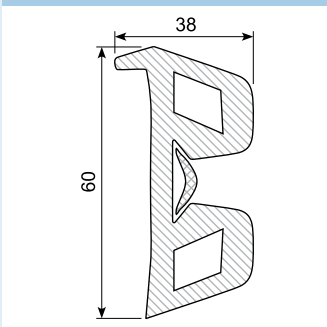
Material: PVC black
Min. order: 50 m

34.625 *



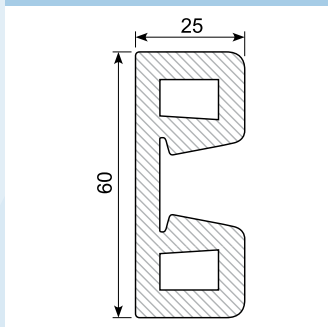
Material: PVC black
Min. order: 5 m

34.626 *



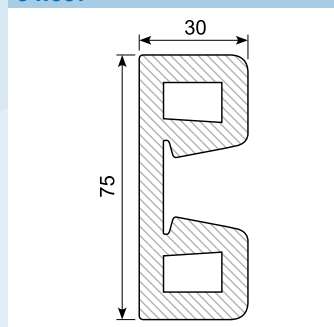
Material: PVC black
Min. order: 5 m

34.636



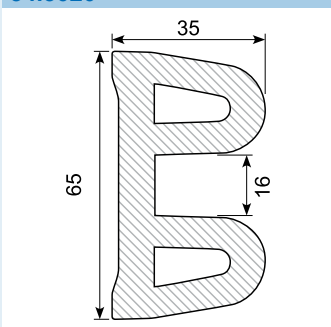
Material: PVC black

34.637 *



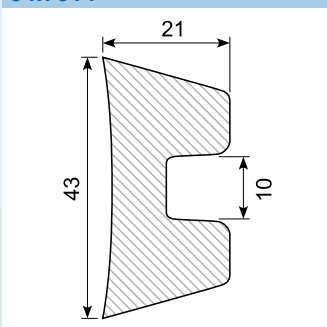
Material: PVC black
Min. order: 20 m

34.3020



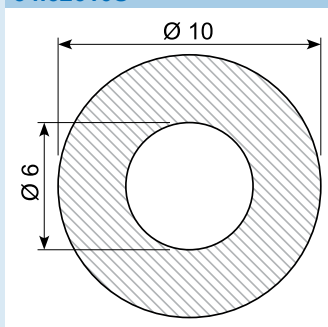
Material: PVC black

34.7514 *



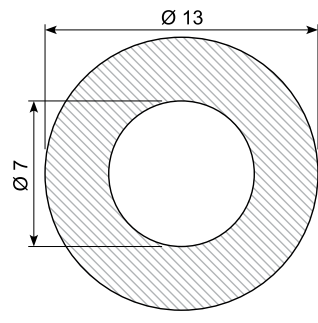
Material: PVC black
Min. order: 5 m

34.62610S *



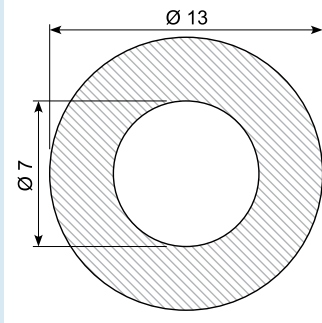
Material: PVC black
Min. order: 5 m

34.62713H *



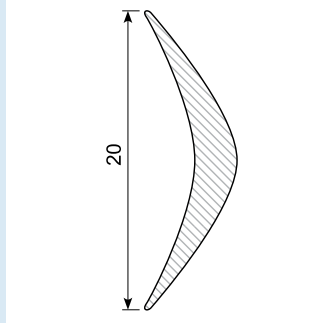
Material: PVC white
Min. order: 5 m

34.62713S *



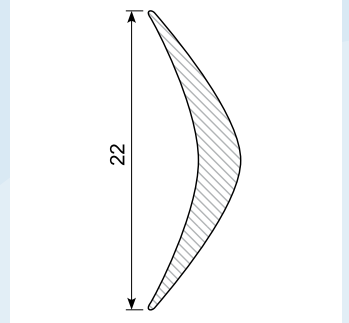
Material: PVC black
Min. order: 5 m

34.677



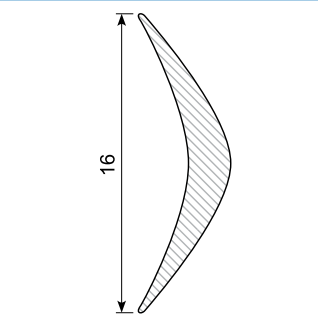
Material: PVC white

34.678 *



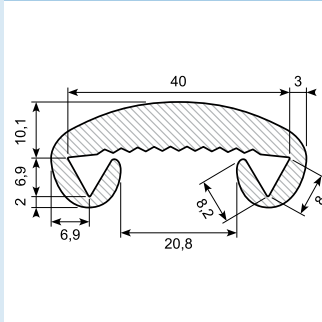
Material: PVC white
Min. order: 5 m

34.676S *



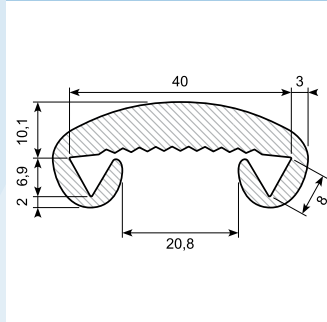
Material: PVC black for 34.624
and 34.7106
Min. order: 300 m

34.608



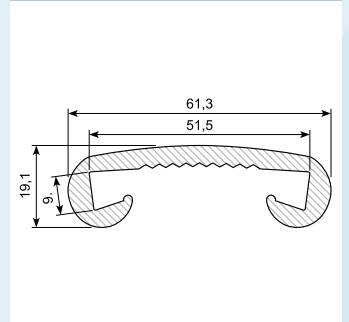
Material: PVC black
Current stock available

34.608X



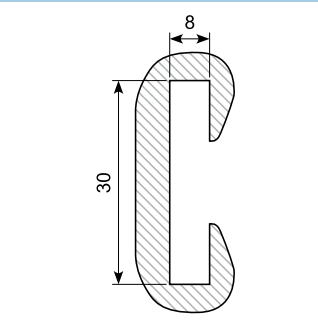
Material: PVC black

34.609X



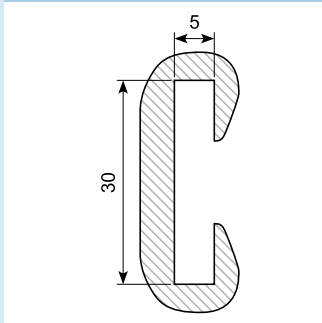
Material: PVC black

34.606 *



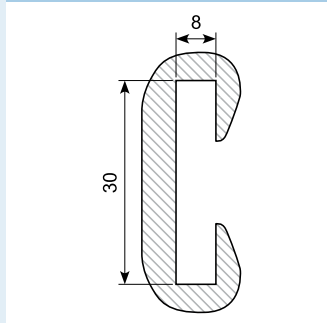
Material: PVC black
Min. order: 500 m

34.607 *



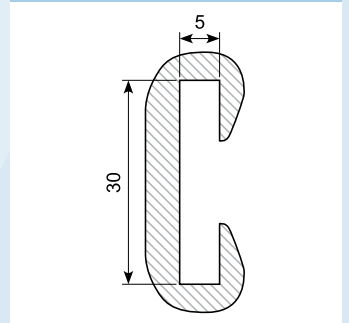
Material: PVC black
Min. order: 100 m

34.606X *



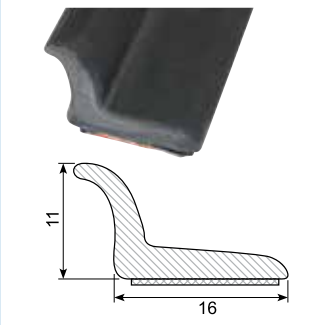
Material: PVC black
Min. order: 500 m

34.607X *



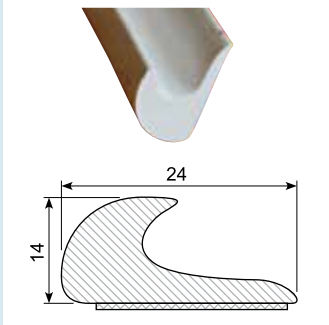
Material: PVC black
Min. order: 500 m

45.206AL



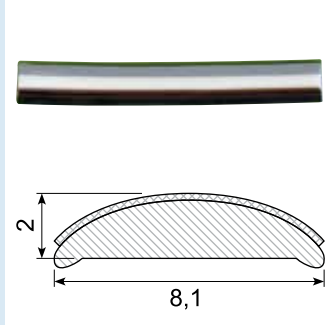
Material: PVC gutter with adhesive
Length: 2 m

45.224



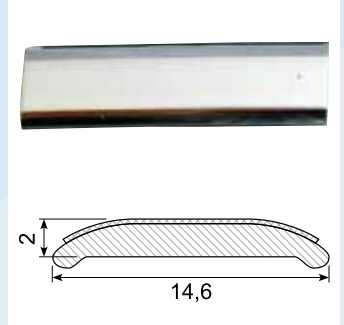
Material: White PVC gutter with adhesive
Length: 25 m

45.217C *



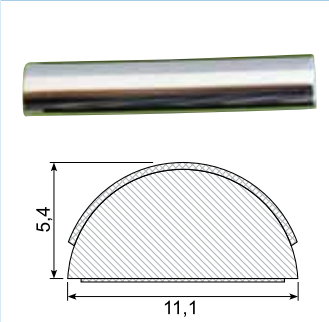
Material: Chrome PVC with adhesive
Length: 5 m

45.221C *



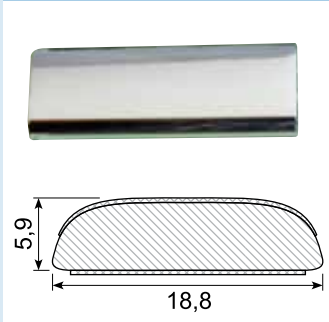
Material: Chrome PVC with adhesive
Length: 5 m

45.347C *



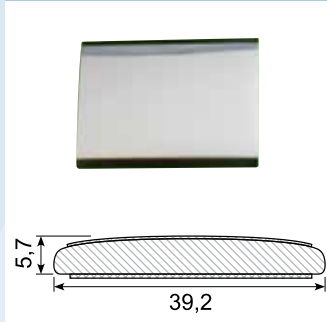
Material: Chrome PVC with adhesive
Length: 5 m

45.884C *



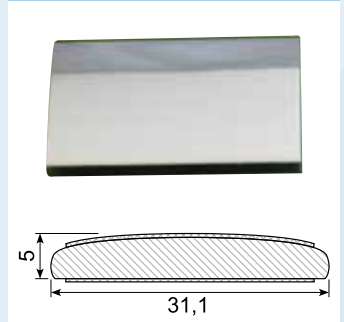
Material: Chrome PVC with adhesive
Length: 5 m

45.383C *



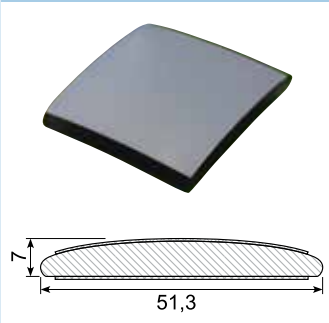
Material: Chrome PVC with adhesive
Length: 5 m

45.388C *



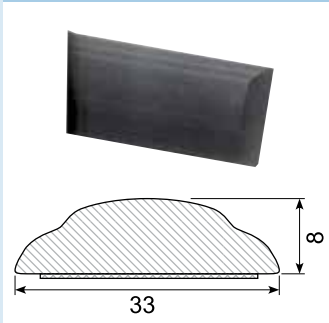
Material: Chrome PVC with adhesive
Length: 5 m

45.705C *



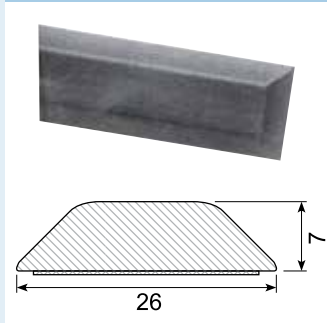
Material: Chrome PVC with adhesive
Length: 5 m

45.832



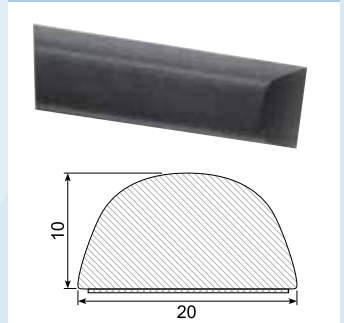
Material: PVC with adhesive
Length: 25 m

45.836



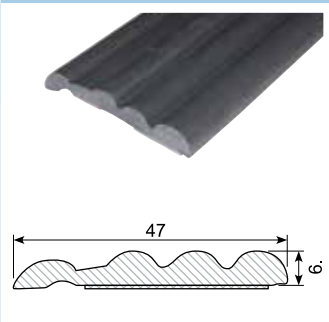
Material: PVC with adhesive
Length: 25 m

45.837



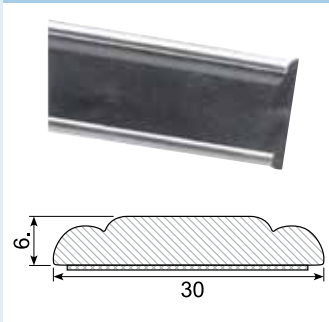
Material: PVC with adhesive
Length: 25 m
Hardness: SH 74 - 76
Density: 1,32

45.839 *



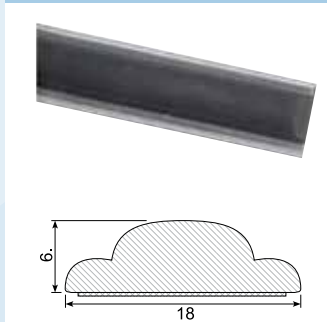
Material: PVC with adhesive
Length: 25 m
Min. order: 300 m

45.872



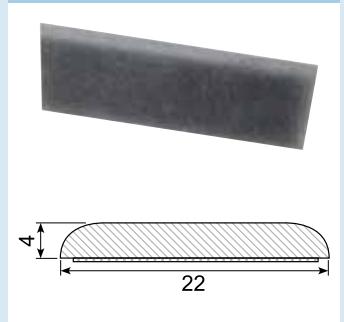
Material: PVC with adhesive
Length: 25 m

45.874



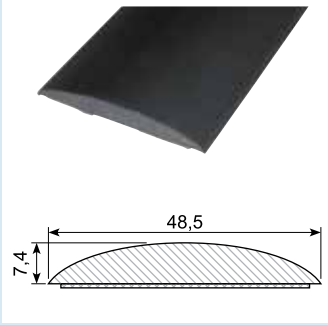
Material: PVC with adhesive
Length: 25 m

45.882



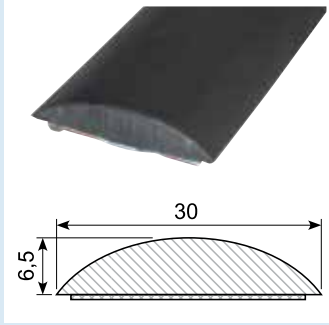
Material: PVC with adhesive
Length: 50 m

45.886 / 45.886G



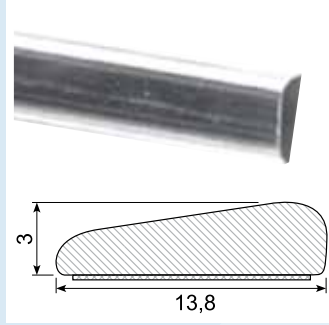
Material: Black PVC with adhesive
 Length: 25 m
 45.886G: Grey

45.894 *



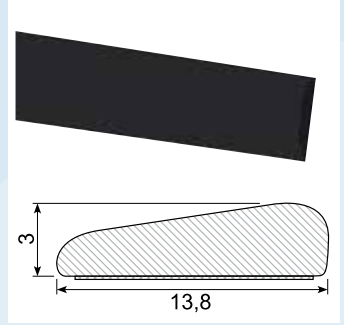
Material: PVC with adhesive
 Length: 25 m
 Min. order: 300 m

45.980A *



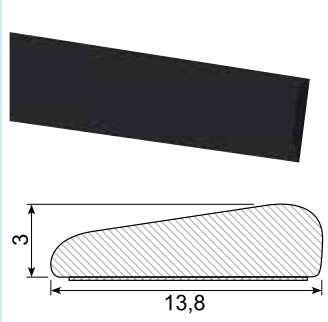
Material: Chrome PVC with adhesive
 Length: 25 m
 Min. order: 500 m

45.980K *



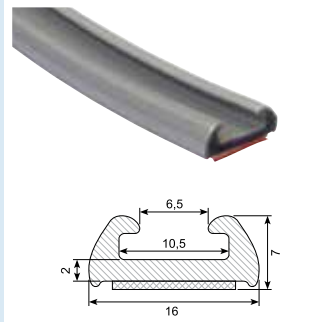
Material: PVC with adhesive
 Length: 340 mm
 Min. order: 1.400 pcs.
 Example fix lengths

45.980S *



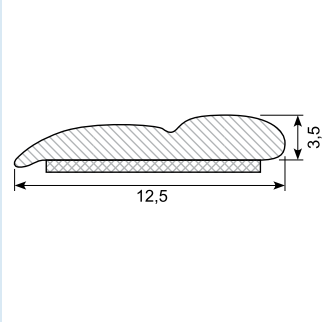
Length: 25 m
 Min. order: 500 m

45.102G



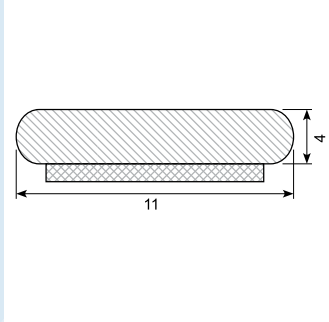
Length: 25 m

45.308C / 45.308C-50 *



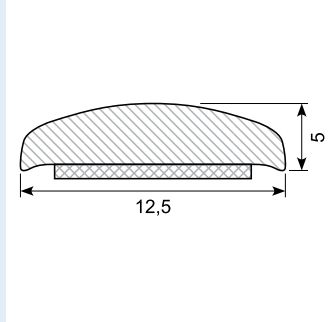
Material: Chrome PVC
 Length: 5 m
 45.308C-50 (50 m)
 Min. order: 300 m

45.309C / 45.309C-50 *

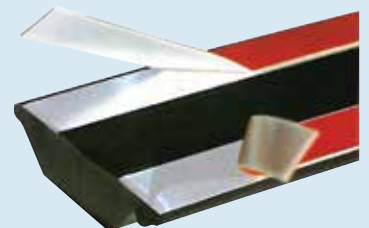
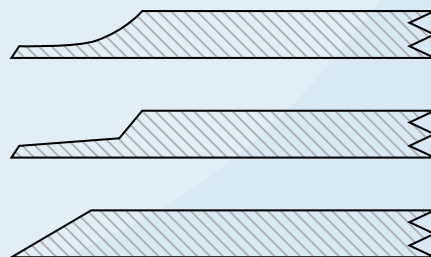


Material: Chrome PVC
 Length: 5 m
 45.309C-50 (50 m)
 Min. order: 300 m

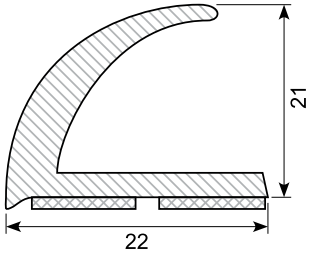
45.216C-50 *



Material: Chrome PVC
 Length: 50 m
 Min. order: 300 m

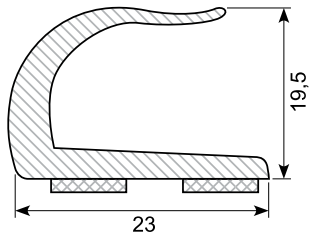


45.123 *



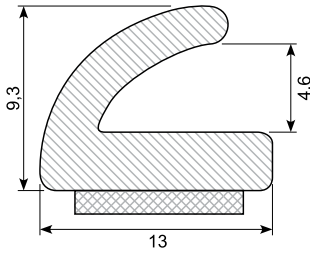
Material: PVC gutter with adhesive
 Length: 25 m
 Min. order: 300 m

45.393 *



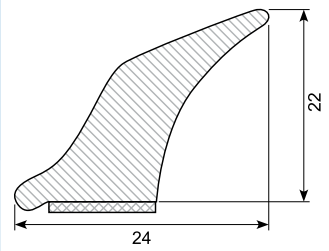
Material: PVC gutter with adhesive
 Length: 25 m
 Min. order: 300 m

45.394 *



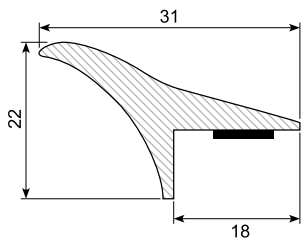
Material: PVC gutter with adhesive
 Length: 25 m
 Min. order: 300 m

45.901 *



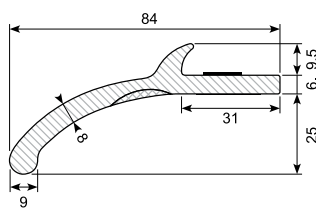
Material: PVC gutter with adhesive
 Length: 25 m
 Min. order: 300 m

45.2031024 *



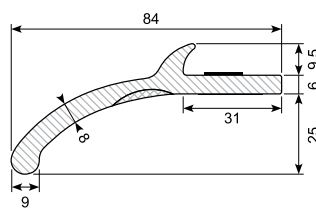
PVC universal wheel arch panel with adhesive. Set of 4 pcs.
 Length: 1,5 m

45.20511046 *



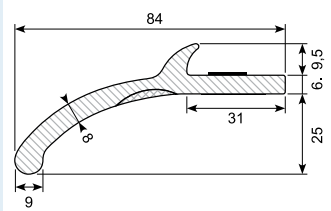
PVC universal wheel arch panel with adhesive. Coil.
 Color: Black
 Length: 6 m

45.20511091 *



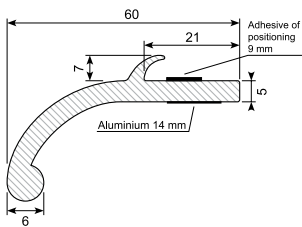
PVC universal wheel arch panel with adhesive. Set of 2 pcs.
 Length: 1,5 m

45.2051445 *



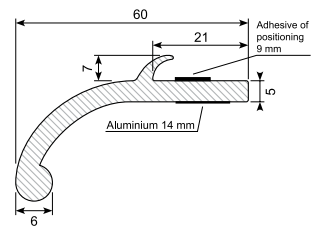
PVC universal wheel arch panel with adhesive. Coil.
 Length: 12,5 m

45.235N1057 *



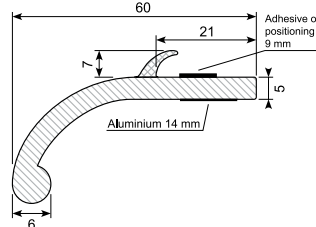
PVC universal wheel arch panel with adhesive. Coil.
 Color: Black
 Length: 6 m

45.235N429 *



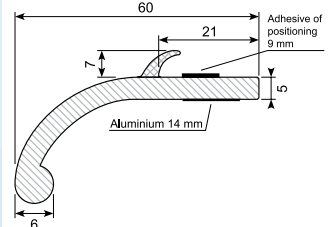
PVC universal wheel arch panel with adhesive. Coil.
 Color: Black
 Length: 12,5 m

45.235NG1057 *



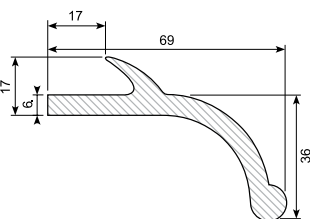
PVC universal wheel arch panel with adhesive. Coil.
 Color: Grey / black
 Length: 6 m

45.235NG429 *



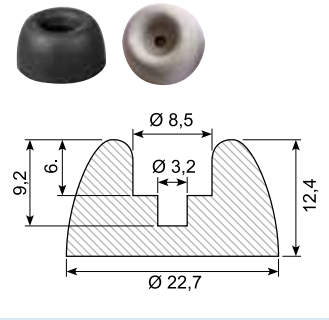
PVC universal wheel arch panel with adhesive. Coil.
 Color: Grey / black
 Length: 12,5 m

31.4281



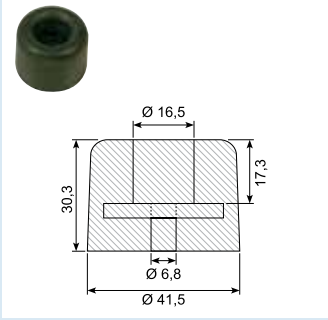
Material: EPDM black
 Hardness: SH 85
 Length: 2,7 m

39.171J / 39.171G



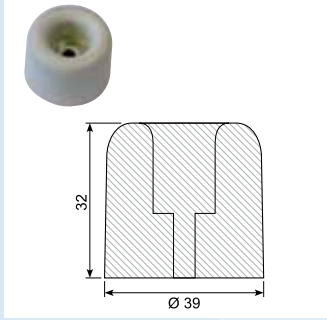
Material: Black
39.171G: Light grey

39.175J



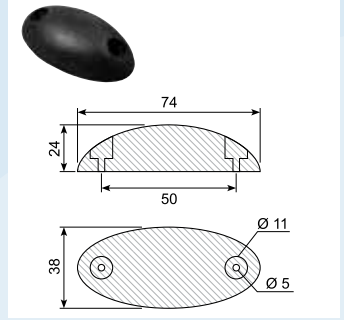
Material: Black NR
Hardness: 78

39.175H *



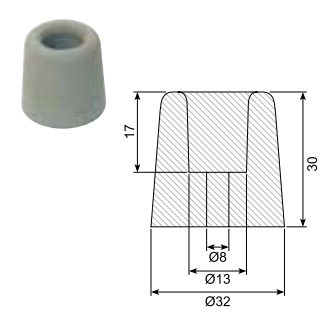
Min. order: 2.000 pcs.

39.632J



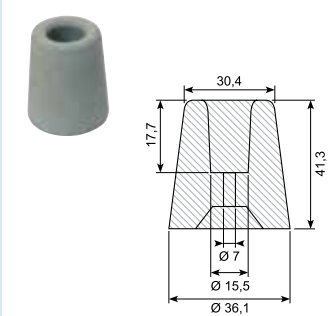
Material: Black

39.167G



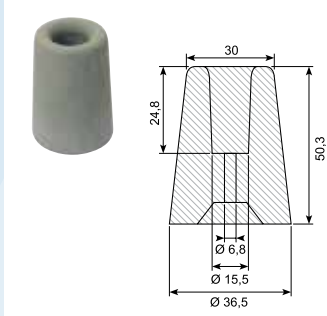
Grey rubber buffer

39.168G



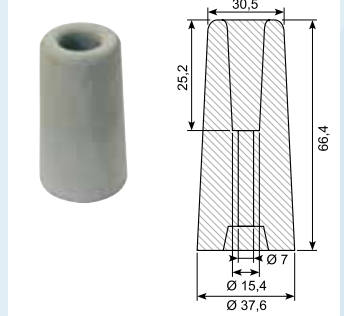
Grey rubber buffer

39.169G



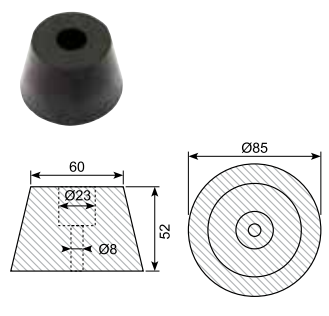
Grey rubber buffer

39.170G



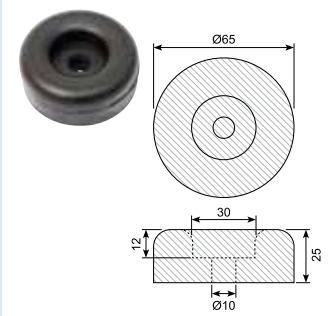
Grey rubber buffer

39.174



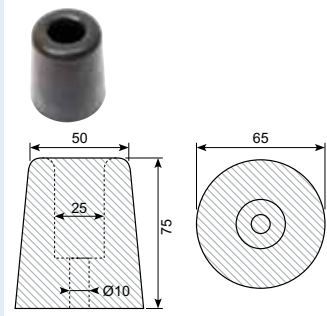
Material: Black NR / SBR

39.177



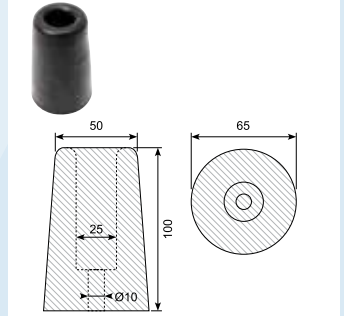
Material: Black NR / SBR

39.178



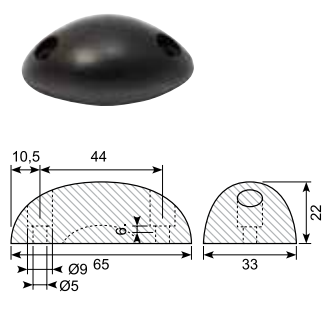
Material: Black NR / SBR

39.179



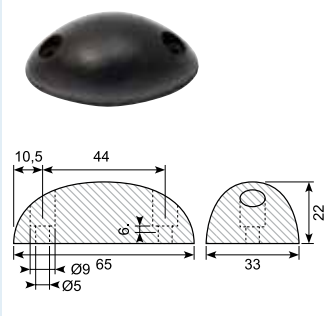
Material: Black NR / SBR

39.632A



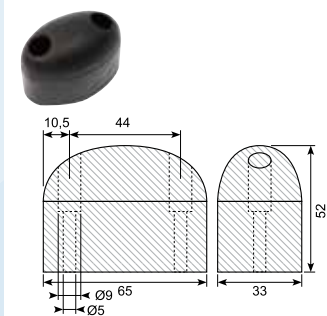
Material: Black NR / SBR

39.632B



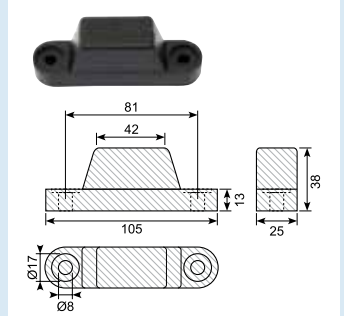
Material: Black NR / SBR

39.632C



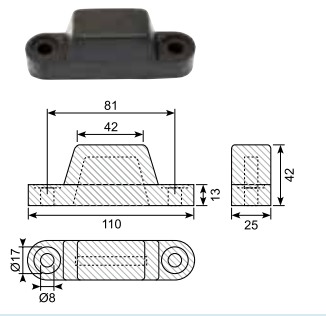
Material: Black NR / SBR

39.172



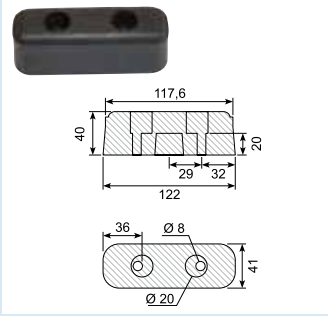
Material: Black NR / SBR

39.173



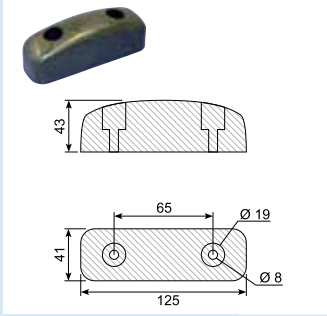
Material: Black NR / SBR

39.626J



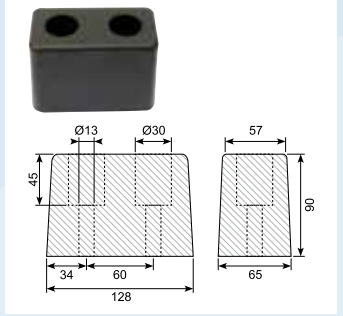
Material: Black NR
Hardness: SH 85

39.637



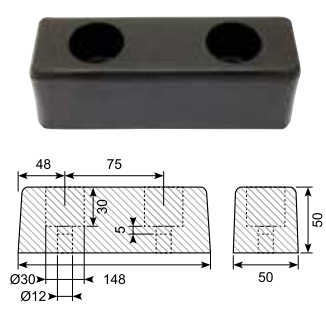
Vehicle bumper
Material: Black NR / SBR

39.625



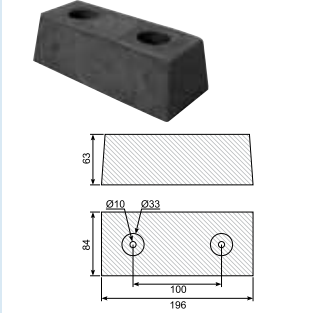
Material: NR / SBR

39.624



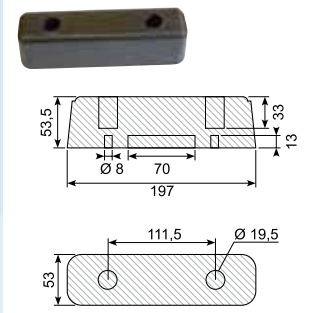
Material: Black NR / SBR

39.623J



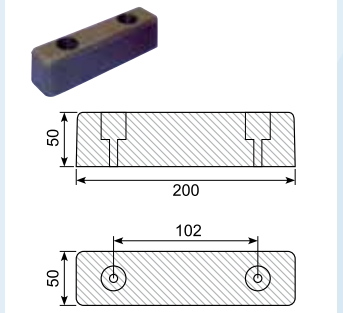
Rubber buffer, slightly conical
Material: NR

39.620J



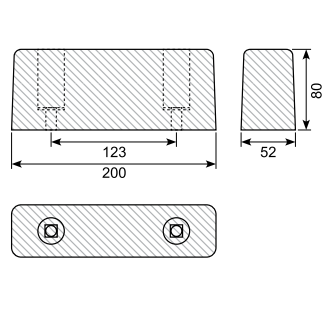
Rubber buffer with washers
Material: Black NR
Hardness: SH 85

39.638



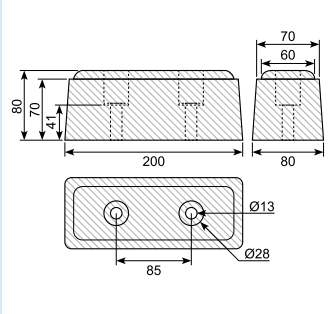
Vehicle bumper
Material: Black NR / SBR

39.181061



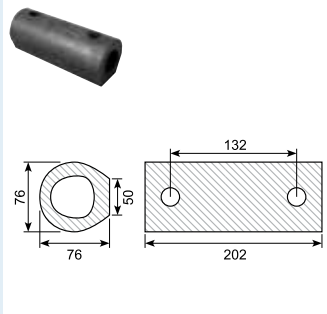
Material: NR/SBR

39.181052



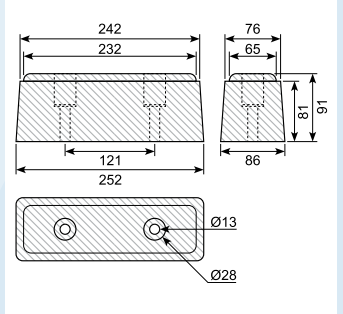
Material: NR/SBR

39.627



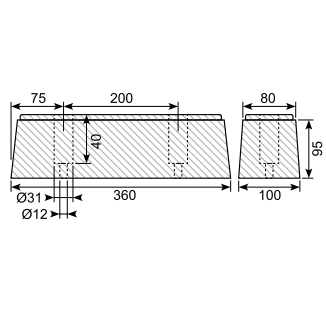
Material: SBR black

39.181060



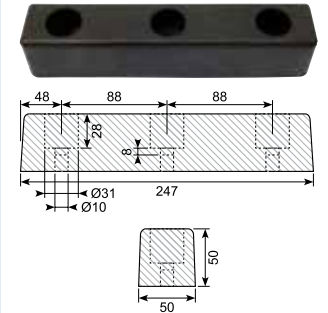
Material: NR/SBR

39.360



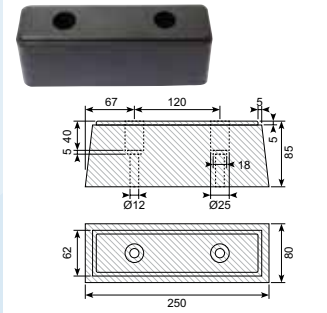
Material: Black NR / SBR

39.628



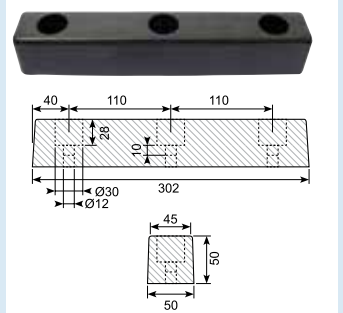
Material: NR/SBR

39.646



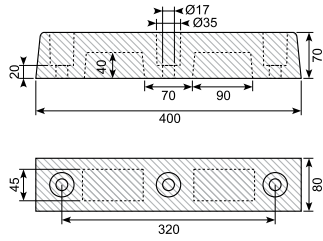
Material: Black NR / SBR
Weight: 1.800 g

39.629



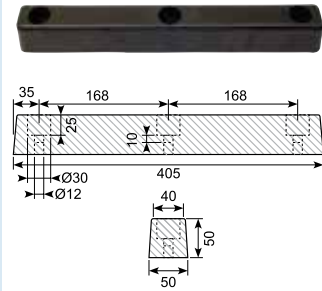
Material: Black NR / SBR

39.634



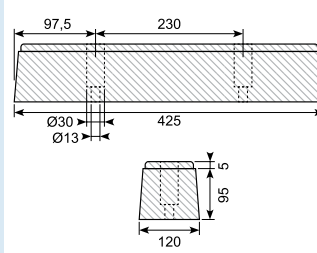
Buffer with steel washers and steel casing, 3 holes for 16 mm bolt.
Material: EPDM black

39.630



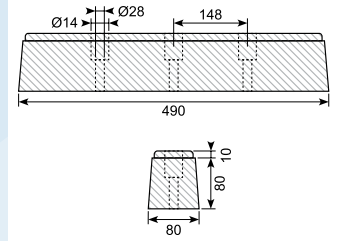
Material: Black NR / SBR

39.634P



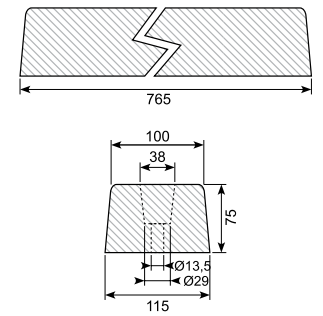
Material: Black NR / SBR

39.647 *



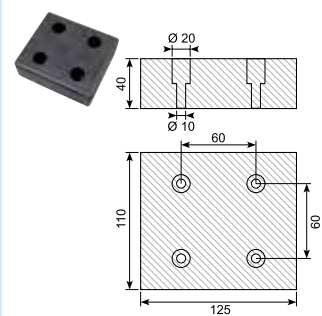
Material: Black NR / SBR

39.650 *



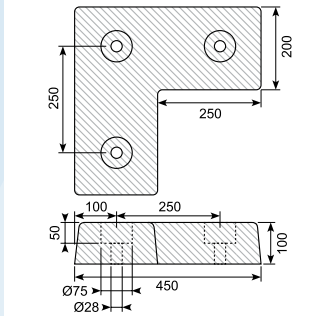
Material: Black NR / SBR

39.631X



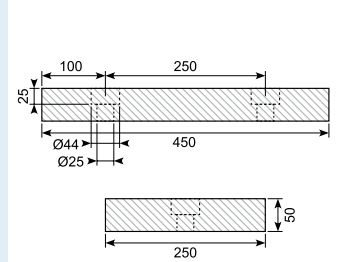
Material: SBR black
Hardness: SH 75

39.651A



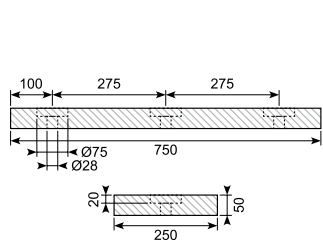
Material: NR / SBR
39.651: SBR + rayon

39.652



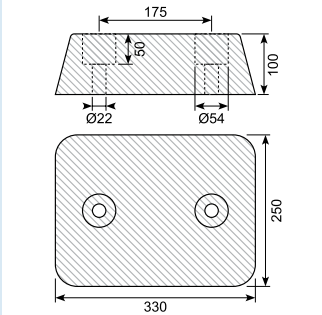
Material: Black NR / SBR

39.653



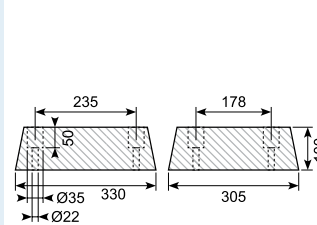
Material: Black NR / SBR

39.644



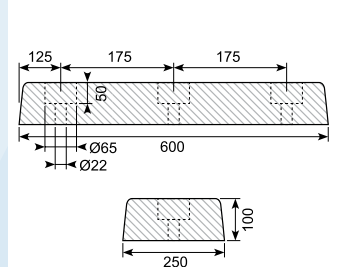
Material: SBR + rayon
39.644A: NR/SBR *

39.631A



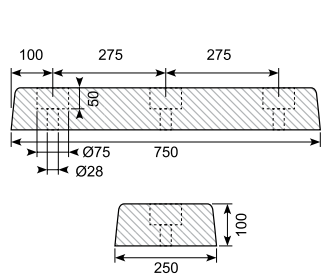
Material: NR / SBR

39.648



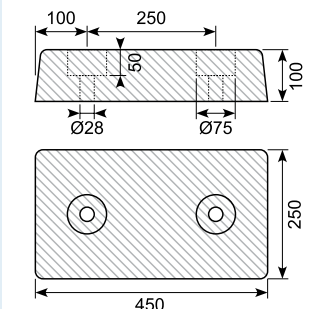
Material: Black NR / SBR

39.649



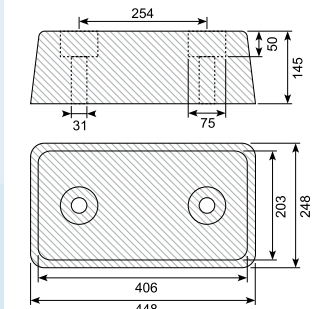
Material: Black NR / SBR

39.642X



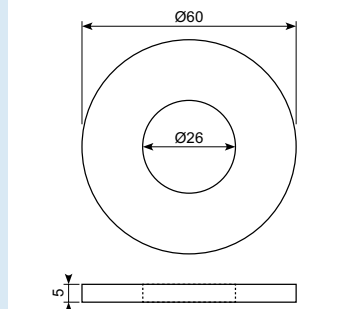
Material: NR / SBR (Economy)
39.642 SBR + rayon *

39.643X



Material: NR / SBR (Economy)

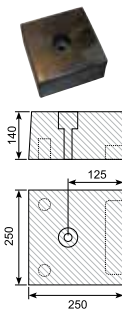
39.M24



M24 washer for rubber buffer

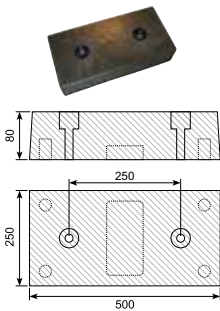
Gummibuffer / Rubber buffer

39.636H



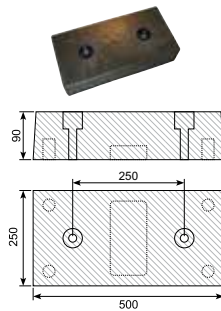
Buffer, vulcanized new rubber with vulcanized steel washer.

39.635X



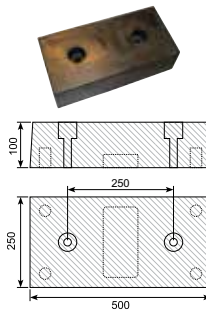
Buffer, vulcanized new rubber with vulcanized steel washers.

39.635



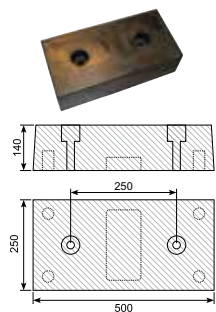
Buffer, vulcanized new rubber with vulcanized steel washers.

39.636X



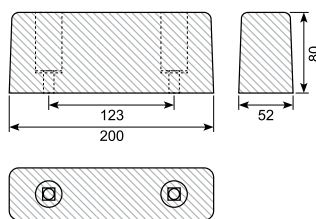
Buffer, vulcanized new rubber with vulcanized steel washers.

39.636



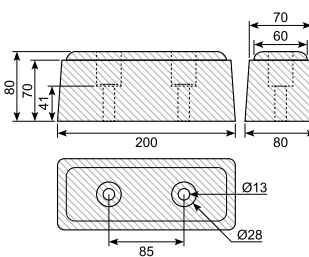
Buffer, vulcanized new rubber with vulcanized steel washers.

39.181061



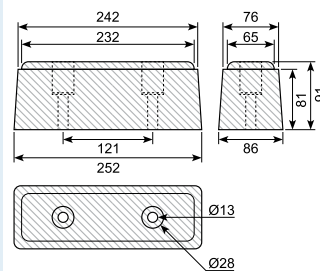
Weight: 1.050 g

39.181052



Weight: 1.370 g

39.181060



Weight: 1.370 g



Anslagsbuffere / tipper pads *
Material: Steel / rubber

Art.	Size steel element (mm)	Size rubber element (mm)	Weight (kg)
39.658	150 x 40 x 5	100 x 40 x 25	0,34
39.656	152 x 88 x 6	100 x 86 x 22	0,75
39.657	355 x 75 x 3	290 x 74 x 27	1,35



Anslagsbuffere / tipper pads *
Material: Aluminium / rubber

Art.	Size aluminium element (mm)	Size rubber element (mm)	Weight (kg)
39.659	152 x 88 x 5	100 x 86 x 23	0,41
39.661	180 x 75 x 5	115 x 75 x 29	0,41
39.660	152 x 88 x 5	100 x 88 x 38	0,6
39.662	180 x 75 x 5	150 x 75 x 40	0,6
39.663	180 x 75 x 4	115 x 75 x 46	0,6
39.664	190 x 115 x 6	120 x 112 x 14 - 20	0,6
39.665	355 x 75 x 5	290 x 75 x 39	1,4

39.180



Material: SBR black
Hardness: SH 80
Rubber pad Ø120 for lift stabilizers. Internal Ø108 mm. Height 26 mm.

39.181 *



Material: SBR black
Hardness: SH 75
Rubber pad Ø120 for lift stabilizers. Internal Ø108 mm. Height 26 mm.

39.182 *



Material: SBR black
Hardness: SH 75
Rubber pad Ø145 for lift stabilizers. Internal Ø120 mm. Height 24 mm.

39.183



Material: TPE black
Hardness: SH 80
Rubber pad Ø145 for lift stabilizers. Internal height 26 mm.

39.188 *



Rubber pad for lift stabilizers
Material: Black SBR
Hardness: SH 75
Size: Ø 160 x H 28 mm
Internal Ø 135 mm

39.183A *



Rubber pad for lift stabilizers
Material: Black SBR
Hardness: SH 80
Size: Ø 100 x H 21 mm
Internal Ø 80 mm

39.183B *



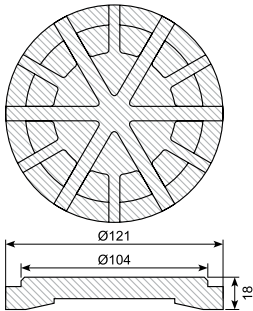
Rubber pad for lift stabilizers
Material: Black SBR
Hardness: SH 80
Size: Ø 140 x H 25 mm
Internal Ø 103 mm

39.183C *



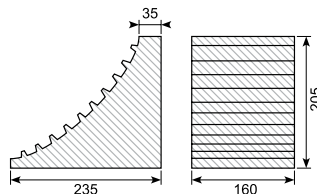
Rubber pad for lift stabilizers
Material: Black
Hardness: SH 80
Size: Ø 140 x H 25 mm
Internal Ø 74 / 60 mm

30.9906



Hardness: SH 80

52.CWC8



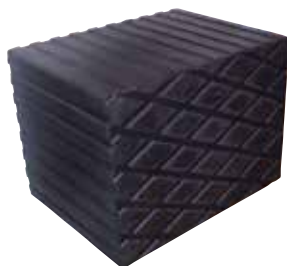
Chocks

39.184



Rubber pad for lift stabilizers
Material: SBR black
Hardness: SH 75
160 x 120 x 20 mm

39.186



Rubber pad for lift stabilizers
Material: SBR black
Hardness: SH 75
160 x 120 x 120 mm

39.187



Rubber pad for lift stabilizers
Material: SBR black
Hardness: SH 75
180 x 60 x 100 mm

39.185



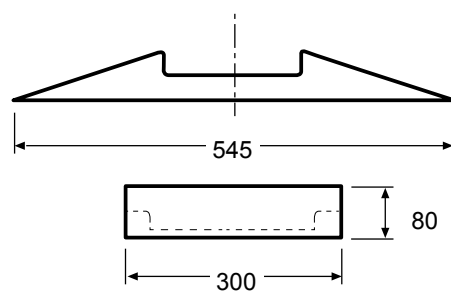
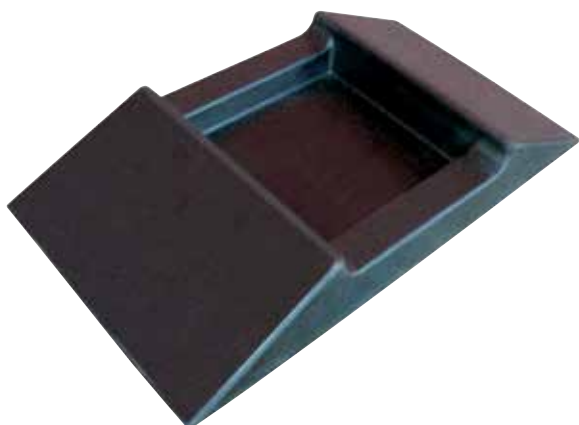
Rubber pad for lift stabilizers
Material: SBR black
Hardness: SH 75
160 x 120 x 35 mm

Gummibuffer / Rubber buffer

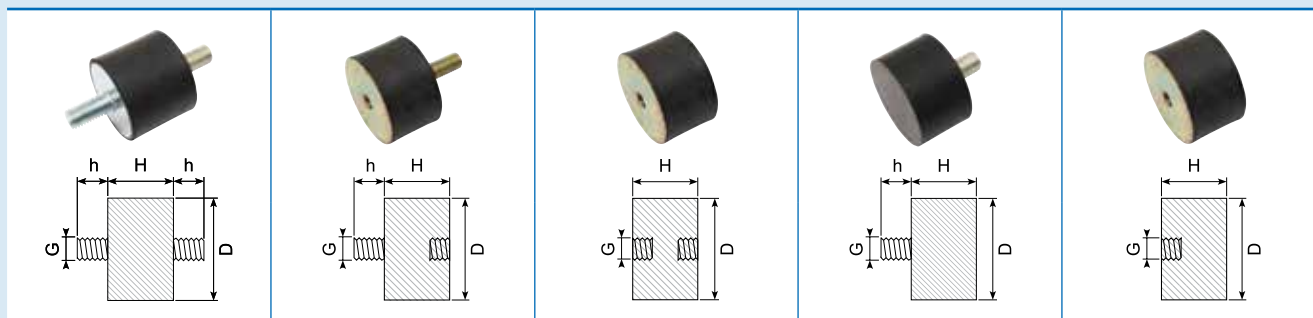
Art.	Image	Measure
30.13186-1		6,7
30.13186-2		8
30.13186-3		10,5
30.13186-4		10,8
30.13186-5 *		16
30.13186-6 *		21
30.13186-7 *		24,5
30.13186-8 *		31,3

Material: Grey PVC

39.645



* Skaffevare / Special order item



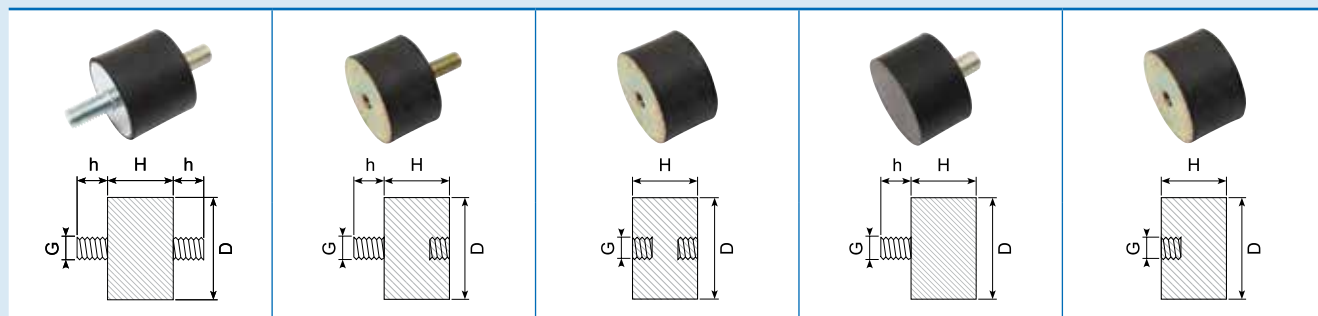
D	H	Type M (1)	Type B (2)	Type C (3)	Type D (4)	Type E (5)
6	7					
8	5					
8	8					
8	10					
9	12					
10	8					
10	10				39.D10/10	
10	15					
10	17					
10	18					
10	30					
11	11					
12	10					
13	26					
15	4					
15	5					
15	6					
15	7					
15	8					
15	9					
15	10				39.D15/10 (M5x15) 39.D15/10-M6 (M6x18)	
15	12					
15	13					
15	15				39.D15/15 (M5x15) 39.D15/15-M6 (M6x15)	
15	20					
15	25					
15	30					
16	18		39.B16/18			
18	10	39.M1810				
20	5					
20	8					
20	10	39.M20/10-M6 (M6x18) 39.M20/10 (M8x18)	39.B20/10-M6 (M6x18) 39.B20/10 (M8x18)	39.C20/10 (M4)		39.E20/10-M6 (M6) 39.E20/10 (M8)
20	11					
20	12					
20	13					
20	15	39.M2015	39.B20/15 (M8x18)		39.D20/15E	
20	17					
20	20	39.M2020 39.M2020-M8	39.B2020	39.C20/20	39.D20/20 (M5x15) 39.D20/20-M6 (M6x18)	
20	23					
20	25					
20	30					
25	8					
25	10			39.C25/10 (M4)		39.E25/10-M6 (M6) 39.E25/10 (M8)
25	12					
25	13		39.B2513			
25	14					

G	h
M6	6, 8, 10, 12, 15, 18, 20, 23, 28
M8	8, 10, 12, 15, 18, 20, 23, 25, 28, 33

G	h
M10	10, 12, 15, 18, 20, 23, 25, 28, 33, 38, 43
M12	10, 12, 18, 20, 23, 25, 27, 33, 37, 42

Fåes i tre hårdheder: Shore 43, 55 og 68.
Også mulighed for rustfri gevind.
Available in three hardnesses: SH 43, 55 and 68.
Also option for stainless threads.

Vibrationsdæmpere / Vibration muffler

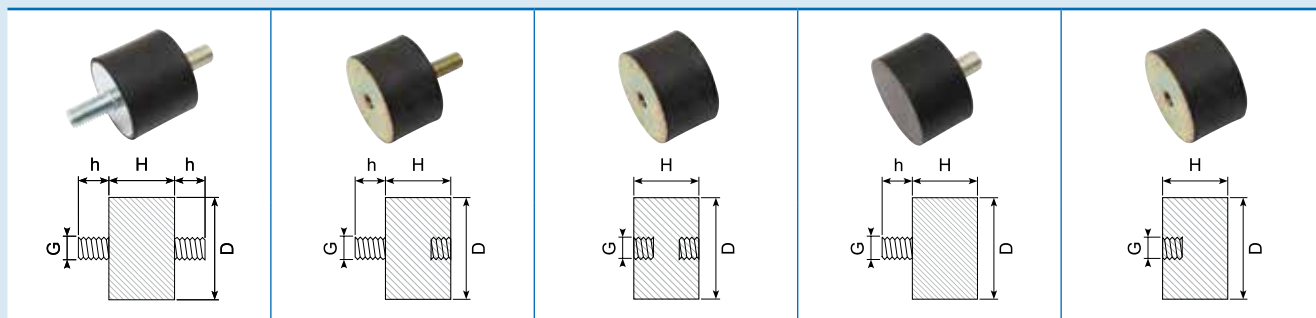


D	H	Type M (1)	Type B (2)	Type C (3)	Type D (4)	Type E (5)
25	15	39.M2515		39.C25/15		
25	17					
25	18					
25	19					
25	20	39.M2520 39.M2520-M6				
25	22					
25	25		39.B25/25 (M8x18) 39.B25/25-M6 (M6x18)	39.C25/25-M6		
25	27					
25	28					
25	30					
26	22					
30	8					
30	10	39.M30/10 (M8x23)			39.D30/10 39.D30/10-M6 (M6x18)	
30	12					
30	13					
30	15	39.M3015-M8x12 39.M3015-M8x15			39.D30/15 39.D30/15-M6 (M6x18)	39.E30/15-M6 (M6) 39.E30/15 (M8)
30	17					
30	18					
30	20	39.M3020 39.M3020-55	39.B30/20 39.B30/20X	39.C30/20 (M8)	39.D30/20 39.D30/20-M6	39.E30/20-M6 (M6) 39.E30/20 (M8)
30	22					
30	25					
30	30	39.M3030 39.M3030-SS	39.B30/30 39.B30/30-M6	39.C30/30	39.D30/30 39.D30/30-M6 (M6x18)	39.E30/30-M6 (M6) 39.E30/30 (M8)
30	35					39.E30/35
30	40					
30	45					
40	10					
40	15				39.D40/15 39.D40/15-M6 (M6x18)	39.E40/15-SH43
40	20	39.M40/20 (M8x23)	39.B40/20 (M8x23)		39.D40/20 (M8x18) 39.D40/20-M6 (M6x18) 39.D40/20-M10 (M10x20) 39.D40/20-A2	39.E40/20-M6 (M6) 39.E40/20 (M8)
40	25	39.4025		39.C40/25 (M8)	39.D40/25-A2	
40	27					
40	28					
40	30	39.M4030	39.B40/30 (M8x23)	39.C40/30	39.D40/30-A2 39.D40/30 39.D40/30-M8 (M8x18)	39.E40/30 (M8)
40	35		39.B40/35 (M8x23)		39.D40/35-A2 39.D40/35 (M10x20)	
40	38	39.M4038		39.C40/40 (M8)		
40	40	39.M40/40 (M10x28)		39.C40/40-M10 (M10)	39.D40/40-A2 39.D40/40 (M10x20)	
40	45				39.D40/45-A2	
40	60					

G	h
M6	6, 8, 10, 12, 15, 18, 20, 23, 28
M8	8, 10, 12, 15, 18, 20, 23, 25, 28, 33

G	h
M10	10, 12, 15, 18, 20, 23, 25, 28, 33, 38, 43
M12	10, 12, 18, 20, 23, 25, 27, 33, 37, 42

Fåes i tre hårdheder: Shore 43, 55 og 68.
Også mulighed for rustfri gevind.
Available in three hardnesses: SH 43, 55 and 68.
Also option for stainless threads.



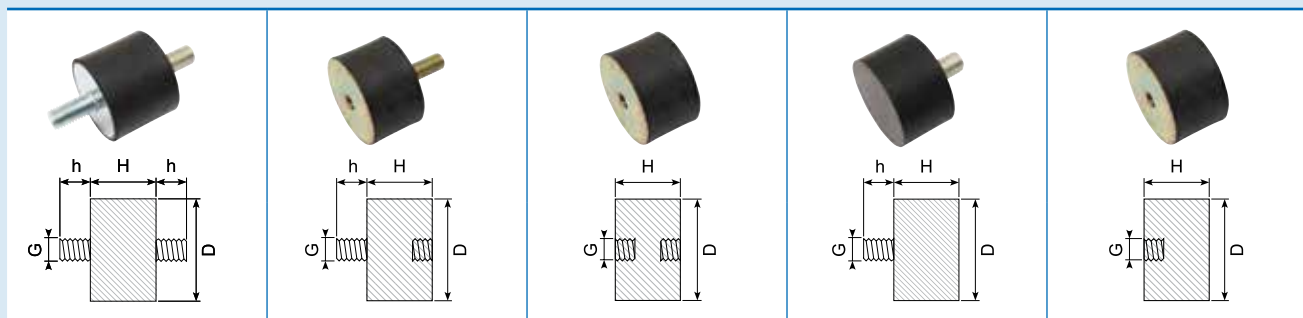
D	H	Type M (1)	Type B (2)	Type C (3)	Type D (4)	Type E (5)
50	7					
50	9					
50	12					
50	15					
50	17					
50	20			39.C50/20 (M10)	39.D50/20 39.D50/20-M12 (M12x23)	39.E50/20 (M8) 39.E50/20-M10 (M10) 39.E50/20-M12 (M12)
50	21		39.B50/21			
50	25	39.M5025		39.C50/25 (M10)	39.D50/25 (M10x20) 39.D50/25-M12 (M12x23)	39.E50/25 (M10) 39.E50/25-M12 (M12)
50	27					
50	28					
50	30	39.M5030	39.B50/30	39.C50/30 39.C50/30-M8 39.C50/30-68 39.C50/35	39.D50/30 39.D50/30-M10 (M10x20)	
50	35					
50	37					
50	40	39.M5040		39.C50/40-M12 39.C50/40		39.E50/40 (M10) 39.E50/40-M12 (M12)
50	42					
50	45	39.M5045		39.C50/45		
50	50	39.M5050	39.B50/50			
50	80		39.B50/50-M10 (M10x28)			
60	15					
60	16					
60	20					
60	25					
60	30		39.B60/30 (M12x25)	39.C60/30-M8 (M8) 39.C60/30 (M10)	39.D60/30 (M10x28) 39.D60/30-M12 (M12x23)	39.E60/30 (M10)
60	35	39.M6035				39.E60/30-M12 (M12)
60	40		39.B60/40	39.C60/40 39.C60/40-M10 SH 43 39.C60/40-M12 SH 43	39.D60/40 (M10x28) 39.D60/40.M12 (M12x23)	39.E60/40 (M10) 39.E60/40-M12 (M12)
60	45					
60	50	39.M6050			39.D6050	
60	60					
65	35			39.C65/35 39.C65/35.M10 (M10)	39.D65/35	
70	20					
70	25					
70	30					
70	35					39.E70/35 (M12)
70	40				39.D70/40 (M10x28) 39.D70/40-M12 (M12x27)	
70	45					
70	50					39.E70/50 (M12)
70	53					
70	55					
70	60					
70	70				39.D70/70	

G	h
M6	6, 8, 10, 12, 15, 18, 20, 23, 28
M8	8, 10, 12, 15, 18, 20, 23, 25, 28, 33

G	h
M10	10, 12, 15, 18, 20, 23, 25, 28, 33, 38, 43
M12	10, 12, 18, 20, 23, 25, 27, 33, 37, 42

Fåes i tre hårdheder: Shore 43, 55 og 68.
Også mulighed for rustfri gevind.
Available in three hardnesses: SH 43, 55 and 68.
Also option for stainless threads.

Vibrationsdæmpere / Vibration muffler



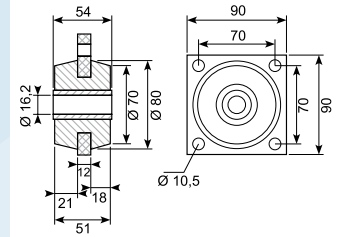
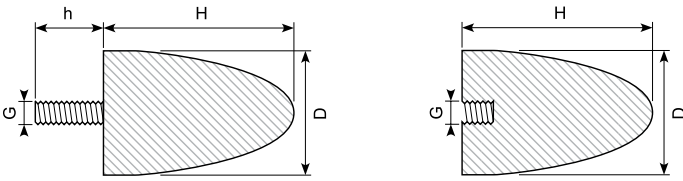
D	H	Type M (1)	Type B (2)	Type C (3)	Type D (4)	Type E (5)
75	20					
75	25					
75	30		39.B75/30 (M12x25)	39.C75/30 (M12) 39.C75/30-M10 (M10)	39.D75/30	39.E75/30 (M10) 39.E75/30-M12 (M12)
75	35					
75	40	39.M7540	39.B75/40 (M12x25)			
75	45			39.C70/45-M10		
75	50	39.M7550	39.B75/50 (M12x25)		39.D75/50-M10 (M10x28)	39.E75/50 (M10) 39.E75/50-M12 (M12)
75	55			39.C75/55 39.C75/55-43 39.C75/55-M10 (M10)		
75	60	39.M7560				
75	70					
75	100			39.C75/100 39.C75/100-M16		
80	17					
80	18					
80	30					
80	40					
80	50	39.M8050				39.E80/50 (M12) 39.E80/50-M16 (M16)
80	55					
80	60					
80	65					
80	70					
80	75					
80	80					
90	60					
100	25					39.E100/25 (M16)
100	30		39.B100/30 (M16x46)		39.D100/30 (M16x41)	39.E100/30 (M16)
100	35					
100	40		39.B100/40 (M16x46)	39.C100/40		39.E100/40 (M16)
100	45					
100	50		39.B100/50 (M16x46)	39.C100/50 (M16)	39.D100/50 (M16x41)	39.E100/50 (M16)
100	55					
100	60					
100	65					
100	70					
100	75		39.B100/75 SH 43	39.C100/75 (M16)	39.D100/75 (M16x41)	39.E100/75 (M16)
100	80					
100	100					
150	40			39.C150/40		
150	50			39.C150/50	39.D150/50 (M16x41)	39.E150/50 (M16) 39.E150/50-M20 (M20)
150	55					
150	60					
150	75			39.C150/75 (M16)		39.E150/75 (M16) 39.E150/75-M20 (M20)
200	100			39.C200/100 (M20)	39.D200/100 (M20x41)	39.E200/100 (M20)

G	h
M6	6, 8, 10, 12, 15, 18, 20, 23, 28
M8	8, 10, 12, 15, 18, 20, 23, 25, 28, 33

G	h
M10	10, 12, 15, 18, 20, 23, 25, 28, 33, 38, 43
M12	10, 12, 18, 20, 23, 25, 27, 33, 37, 42

Fåes i tre hårdheder: Shore 43, 55 og 68.
Også mulighed for rustfri gevind.
Available in three hardnesses: SH 43, 55 and 68.
Also option for stainless threads.

39.103195



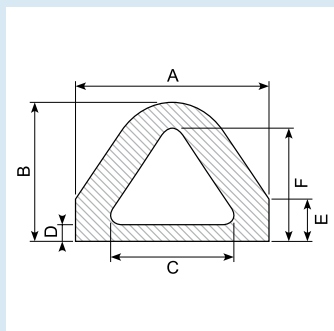
Material: NBR
Hardness: SH 55

KP-D-no.	KP-E-no.	D/H	D	H	G	h
39.KP-D10/10	39.KP-E10/10	10/10	10	10	M5	12
39.KP-D15/22	39.KP-E15/22	15/22	15	22	M6	18
39.KP-D20/15	39.KP-E20/15	20/15	20	15	M6	10
39.AV2024	39.KP-E20/24	20/24	20	24	M6	18
39.KP-D25/16	39.KP-E25/16	25/16	25	16	M6	18
39.KD25/17		25/17	25	17	M6	8
39.KP-D25/20	39.KP-E25/20	25/20	25	20	M6	18
39.KP-D30/30	39.KP-E30/30	30/30	30	30	M8	20
39.KP-D30/36	39.KP-E30/36	30/36	30	36	M8	20
39.AV30		30/40	30	40	M8	23
	39.KP-E35/40	35/40	35	40	M8	23
39.KD50/18		50/18	50	18	M10	18
39.KD50/50	39.KP-E50/50	50/50	50	50	M10	28
39.AV50		50/55	50	55	M10	27
39.KP-D50/58		50/58	50	58	M10	28
39.KP-D50/61	39.KP-E50/61	50/61	50	61	M8	28
39.KP-D50/67	39.KP-E50/67	50/67	50	67	M8	33
39.AV5068	39.KP-E50/68	50/68	50	68	M10	38
39.KP-D60/40	39.KP-E60/40	60/40	60	40	M10	28
39.KP-D70/58	39.KP-E70/58	70/58	70	58	M12	32
39.KP-D70/60	39.KP-E70/60	70/60	70	60	M12	37
39.KP-D75/89	39.KP-E75/89	75/89	75	89	M12	37
39.AV9580	39.KP-E95/80	95/80	95	80	M16	41
39.KP-D115/136	39.KP-E115/136	115/136	115	136	M16	41
39.KP-D118/77	39.KP-E118/77	118/77	118	77	M16	41

Skaffevarer / Special order item

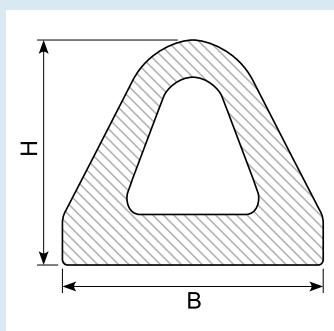


Fendere / Fenders



Material: Black EPDM
 Hardness: SH 70
 Fenders for harbours, loading ramps w. m.

Art.	A	B	C	D	E	F	Kg/m
39.3872	40	25	28	5	10	20	0,57
39.3873 *	55	40	38	8	15	32	1,39
39.3875 *	60	50	40	10	20	42	1,75
39.4087 *	60	52	30	11	11	43	2
39.3876	80	65	50	12	25	39	3,2
39.3887 *	80	70	40	15	0	68	3,5
39.4333 *	80	70	54	15	16	59	4
39.2486 *	82	67	42	15	15	57	3,5
39.4156 *	109	117	50	42	50	95	10,5
39.3846 *	110	95	50	22	18	76	6,1
39.3874 *	110	95	70	15	30	80	5,79
39.4399 *	110	130	70	20	45	110	7,8
39.3010 *	120	110	70	14	35	95	7,39
39.3868 *	150	130	100	20	40	110	10,82
39.4178 *	150	160	105	50	60	130	16,3
39.3722 *	160	138	92	33	0	105	15,83
39.3240 *	170	130	110	15	45	110	10,5



Material: Black EPDM
 Hardness: SH 70
 Fenders for vans harbours, loading ramps etc.

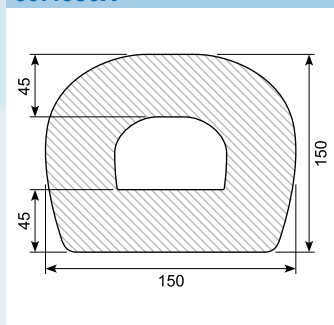
Art.	B	H	L	Kg/m
39.674	40	22	20 m	0,715
39.678	60	50	10 m	2,1
39.678X *	50	60	20 m	2,1
39.680X	84	70	20 m	3,7
39.684X	110	95	10 m	7,076
39.684XS *				
39.685 *	120	120	3 m	11,204

Soft. SH 45. Min. order: 40 m

Material: White

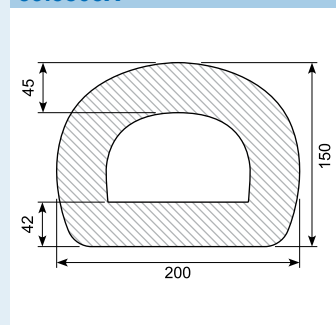
Art.	B	H	L	Min. order
39.680H *				100 m
39.680H-1180	84	70	1.180 mm	

39.4380X



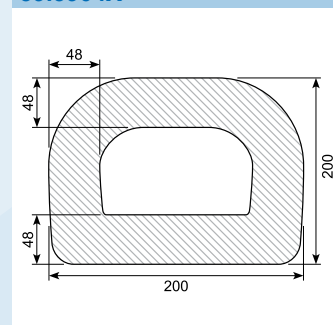
Material: NR / SBR
 Length: 2 m

39.3803X

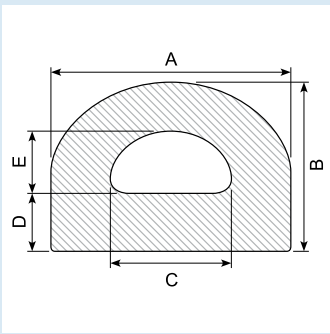


Material: NR / SBR
 Length: 2 m

39.3904X



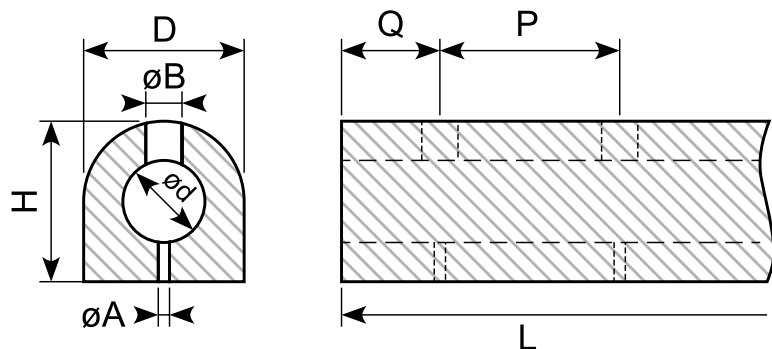
Material: NR / SBR
 Length: 2 m



Material: Black EPDM
 Hardness: SH 70
 Fenders for harbours, loading ramps w. m.

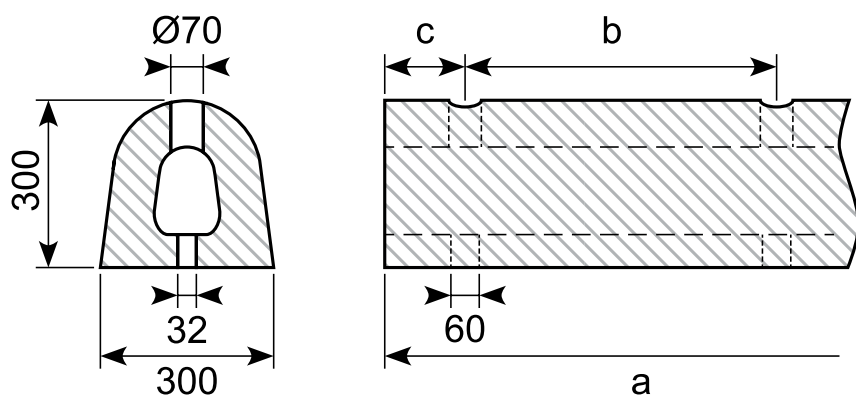
Art.	A	B	C	D	E	Kg/m
39.3581	30	25	11	7,5	11	0,67
39.36412 *	40	75	23	32	23	3,76
39.2776 *	51	45	20	10	20	2,08
39.3428 *	65	70	35	18	28	2,99
39.3029 *	80	80	40	25	35	5,54
39.3700 *	80	78	56	12	54	3,55
39.3925 *	80	80	40	23	40	5,59
39.4229 *	80	70	46	25	20	4,57
39.4110 *	95	100	38	30	45	5,4
39.3051 *	100	80	50	25	30	7,05
39.3802	100	80	80	12	56	3,68
39.3923 *	100	95	44	29	40	8,1
39.3952 *	100	95	60	20	50	6,99
39.4251 *	100	60	50	20	20	5,81
39.4403 *	100	95	60	28	42	6,27
39.4310 *	107	67	40	22	20	6,4
39.3726 *	110	110	50	30	25	12,14
39.3878 *	120	70	30	20	30	6,41
39.93 *	120	120	70	44	51	11,84
39.4381 *	125	100	65	33	37	10,87
39.69 *	130	150	50	50	50	21,05
39.4257 *	130	145	40	55	40	17,24
39.3813 *	140	125	85	35	55	14,75
39.3815 *	140	80	60	20	36	10,27
39.3381 *	150	150	85	30	85	18,81
39.4129 *	150	130	50	55	50	20
39.4224 *	150	150	92	29	92	14,7
39.4244 *	150	180	45	87	40	27,8
39.4380	150	150	80	40	75	18,22
39.3366 *	160	125	90	25	65	15,82
39.4311 *	160	175	68	79	68	17,1
39.57 *	200	165	40,5	80	40,5	31,44
39.3023 *	190	195	21	89	21	40,57
39.4012 *	190	195	55	89	55	37,7
39.3803 *	200	150	148	14	113	11,81
39.4249 *	200	220	75	82	75	42,39
39.4250 *	200	220	100	38	80	39,38
39.4269 *	200	220	75	82	75	36,85
39.3849 *	240	260	110	90	110	54,54
39.3879 *	250	290	120	60	110	48,96
39.56 *	250	200	136	50	100	39,84
39.4054 *	280	190	180	50	90	38,5
39.79 *	300	254	150	75	104	68,25
39.55 *	350	350	220	80	165	97,68

D-fender



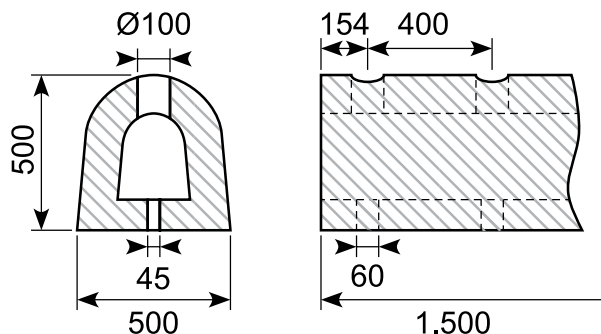
Art.	H	D	A	B	d	Q	P	L
39.200200 *	200	200	25	60	100	150	300	1.500
39.300300 *	300	300	29	65	150	150	300	1.500

D-fender

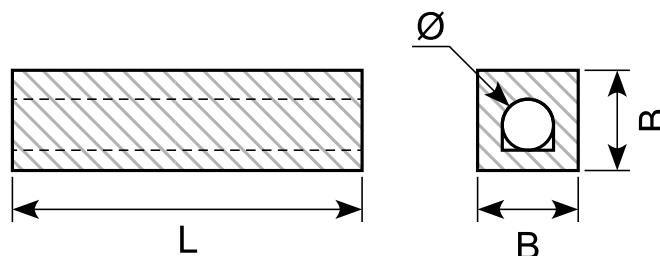


Art.	Size	a (mm)	b (mm)	c (mm)	Mounting holes	Weight
*	D300HX900L-2h	900	600	150	2	62
*	D300HX1000L-2h	1.000	600	250	2	69
*	D300HX1500L-3h	1.500	600	150	3	103
39.300300A *	D300HX1500L-5h	1.500	320	110	5	103
*	D300HX1500-5h-S	1.500	320	110	5	98
*	D300HX2000-4h	2.000	500	250	4	210

39.500500A *



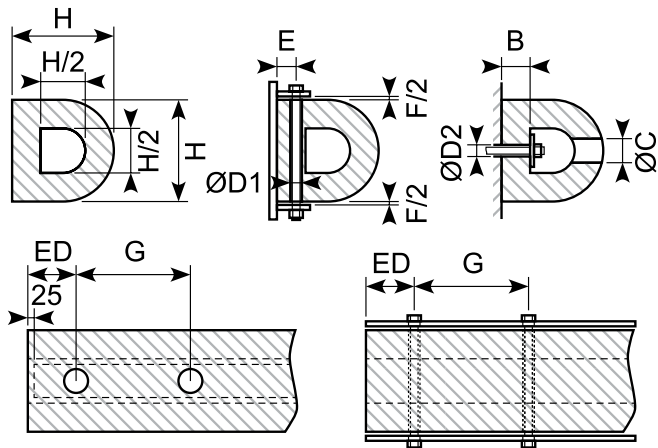
D-fender



Art.	B (mm)	Ø (mm)
*	150	75
*	200	100
*	250	125
39.300300FK *	300	150
*	400	200
*	500	250

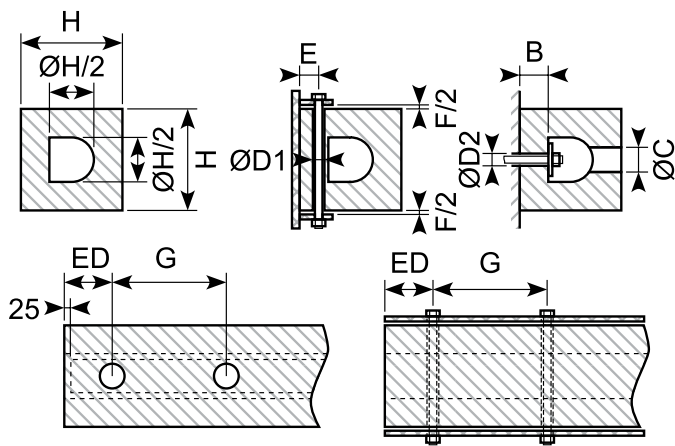
Længder fra 500 - 3.000 mm /
Lengths from 500 - 3.000 mm

DD-fender



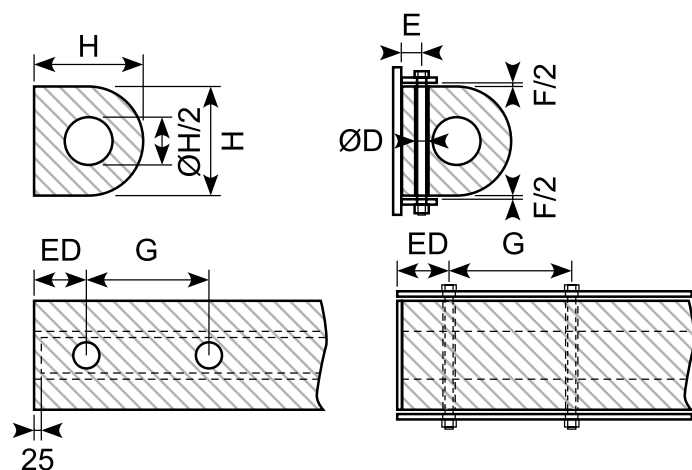
Art.	H (mm)	B (mm)	C (mm)	D1 (mm)	D2 (mm)	F (mm)	G (mm)	ED (mm)	Flat bar (mm)	Anchors	Weight (kg/m)
*	100 x 100	25	30	18	24	10	200-300	90-130	40 x 5	M12	8,3
*	150 x 150	37,5	40	24	32	12	250-350	110-150	60 x 8	M16	18
*	200 x 200	50	50	30	40	15	300-400	130-180	80 x 10	M20	32
*	250 x 250	62,5	60	36	48	20	350-450	140-200	90 x 12	M24	50
39.DD300300 *	300 x 300	75	60	36	48	25	350-450	140-200	110 x 12	M24	72
*	350 x 350	87,5	75	45	60	25	350-450	140-200	130 x 15	M30	103,6
*	380 x 380	95	75	45	60	30	350-450	140-200	140 x 15	M30	122,1
*	400 x 400	100	75	45	60	30	350-450	140-200	150 x 15	M30	128
*	500 x 500	125	90	54	72	40	400-500	160-230	180 x 20	M36	200

SD-fender



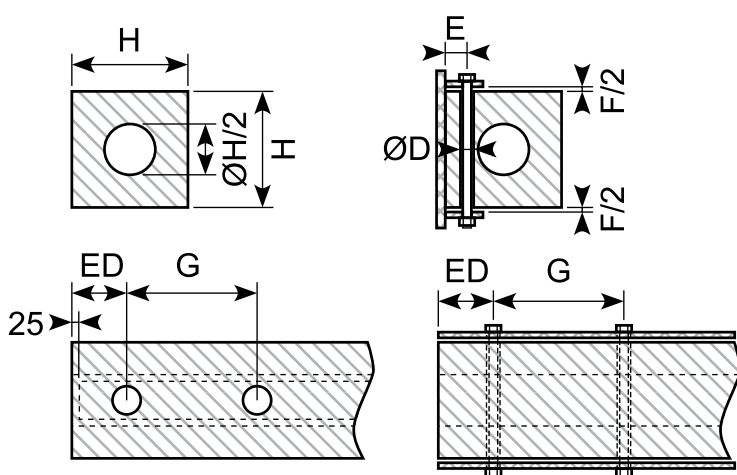
Art.	H (mm)	B (mm)	C (mm)	D1 (mm)	D2 (mm)	E (mm)	F (mm)	G (mm)	ED (mm)	Flat bar (mm)	Anchors	Weight (kg/m)
*	100 x 100	25	30	18	24	25	10	200-300	90-130	40 x 5	M12	9,5
*	150 x 150	37,5	40	24	32	30	12	250-350	110-150	50 x 8	M16	22,1
*	200 x 200	50	50	30	40	45	15	300-400	130-180	70 x 10	M20	38,7
39.SD300250 *	250 x 250	62,5	60	36	48	50	20	350-450	140-200	90 x 12	M24	59,3
39.SD300300 *	300 x 300	62,5	60	36	48	50	25	350-450	140-200	100 x 12	M24	73
*	350 x 350	75	75	45	60	60	25	350-450	140-200	100 x 15	M30	89,3
*	400 x 400	100	75	45	60	80	30	350-450	140-200	150 x 15	M30	148,5
*	500 x 500	125	90	54	72	90	40	400-500	160-230	180 x 20	M36	232,1

DC-fender



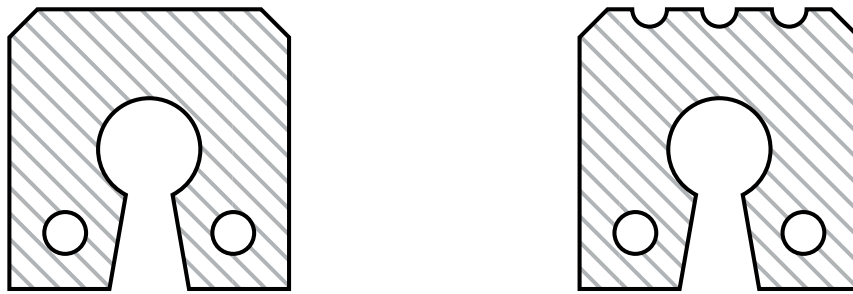
Art.	H (mm)	D (mm)	E (mm)	F (mm)	G (mm)	ED (mm)	Anchors	Weight (kg/m)
*	100 x 100	18	25	10	200-300	90-130	M12	9,9
*	150 x 150	24	30	12	250-350	110-150	M16	20
*	200 x 200	30	45	15	300-400	130-180	M20	37,4
*	250 x 250	36	50	20	350-450	140-200	M24	57,2
39.DC300300 *	300 x 300	36	60	25	350-450	140-200	M24	81,3
*	350 x 350	45	70	25	350-450	140-200	M30	109,5
*	400 x 400	45	80	30	350-450	140-200	M30	142
*	500 x 500	54	90	40	400-500	150-230	M36	208

SC-fender

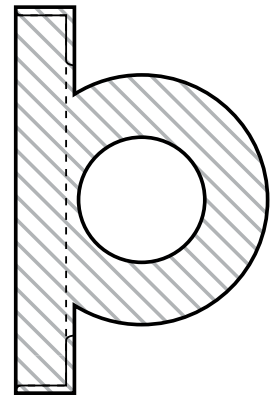


Art.	H (mm)	D (mm)	E (mm)	F (mm)	G (mm)	ED (mm)	Anchors	Weight (kg/m)
*	100 x 100	18	25	10	200-300	90-130	M12	11,1
*	150 x 150	24	30	12	250-350	110-150	M16	22,9
*	200 x 200	30	45	15	300-400	130-180	M20	42,6
*	250 x 250	36	50	20	350-450	140-200	M24	65,3
39.SC300300 *	300 x 300	36	60	25	350-450	140-200	M24	92,9
*	350 x 350	45	70	25	350-450	140-200	M30	117,6
*	400 x 400	45	80	30	350-450	140-200	M30	153,6
*	500 x 500	54	90	40	400-500	150-230	M36	240,1

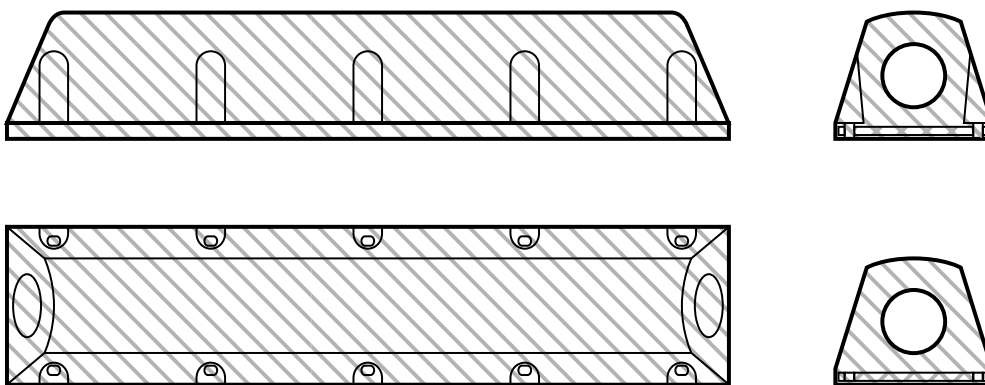
Keyhole fender *



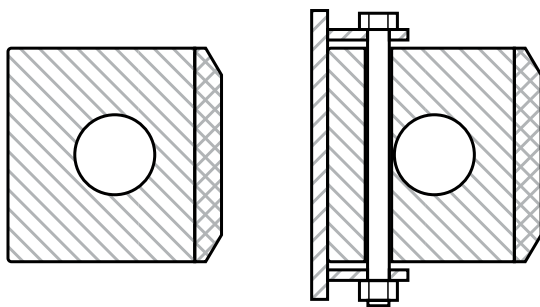
Wing-type-fender *



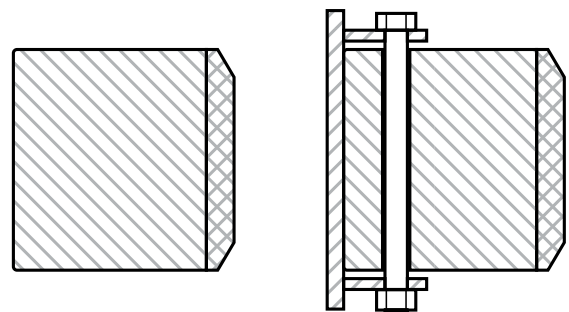
MC-fender *



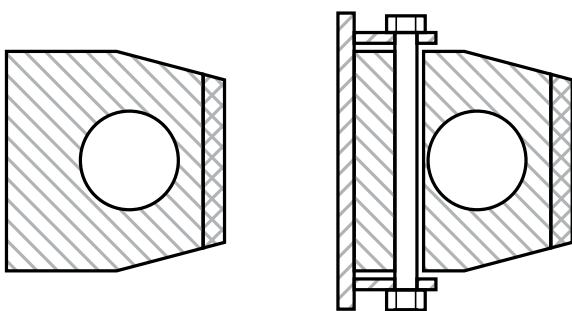
KF-A-fender



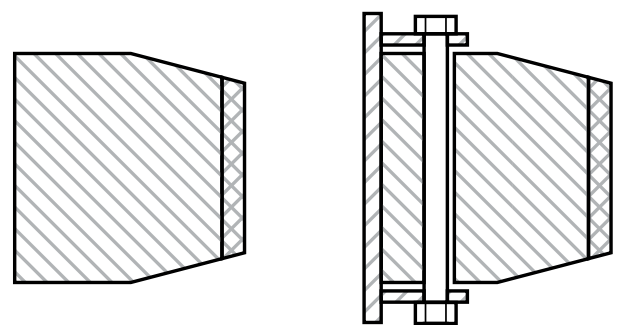
KF-B-fender *



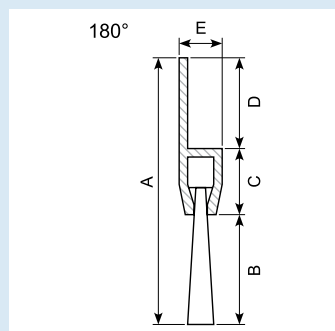
KF-C-fender *



KF-D-fender *

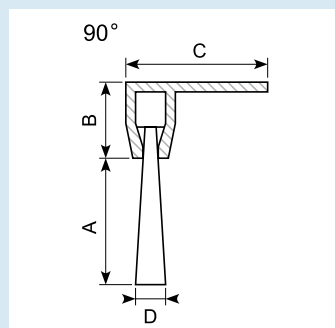


Børste- og flock-lister / Brush sections



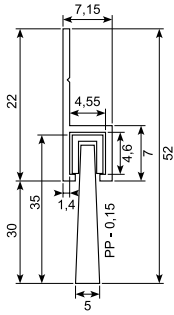
Art.	Type	A mm	B mm	C mm	D mm	E mm	L m
57.400/1 *	A	27	10,3	5,3	11,4	5,2	1
57.400/2	A	27	10,3	5,3	11,4	5,2	2
57.400/3 *	A	27	10,3	5,3	11,4	5,2	3
57.401/1	B	31	13,5	6,7	10,8	6,5	1
57.401/2 *	B	31	13,5	6,7	10,8	6,5	2
57.401/3 *	B	31	13,5	6,7	10,8	6,5	3
57.402/1 *	C	34	15	8,4	10,6	7,7	1
57.402/2	C	34	15	8,4	10,6	7,7	2
57.402/3 *	C	34	15	8,4	10,6	7,7	3
57.403/1 *	D	51,8	23,8	10,8	17,2	10	1
57.403/2 *	D	51,8	23,8	10,8	17,2	10	2
57.403/3 *	D	51,8	23,8	10,8	17,2	10	3
57.404/1 *	E	71	41	11,5	18,5	10,3	1
57.404/2	E	71	41	11,5	18,5	10,3	2
57.404/3	E	71	41	11,5	18,5	10,3	3
57.405/1 *	GS	78,5	44,5	14,5	19,5	13,5	1
57.405/2 *	GS	78,5	44,5	14,5	19,5	13,5	2
57.405/3 *	GS	78,5	44,5	14,5	19,5	13,5	3
57.406/1 *	GM	98,3	64,3	14,5	19,5	13,5	1
57.406/2 *	GM	98,3	64,3	14,5	19,5	13,5	2
57.406/3	GM	98,3	64,3	14,5	19,5	13,5	3
57.407/1 *	GL	135,6	101,6	14,5	19,5	13,5	1
57.407/2 *	GL	135,6	101,6	14,5	19,5	13,5	2
57.407/3 *	GL	135,6	101,6	14,5	19,5	13,5	3

57.401/3BX Brushes for 57.401. 3 m lengths.



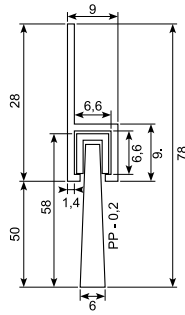
Art.	Type	A mm	B mm	C mm	D mm	L m
57.440/1 *	A	10,3	5,3	14	5,2	1
57.440/2 *	A	10,3	5,3	14	5,2	2
57.440/3 *	A	10,3	5,3	14	5,2	3
57.441/1 *	B	13,5	6,7	17,5	6,5	1
57.441/2 *	B	13,5	6,7	17,5	6,5	2
57.441/3 *	B	13,5	6,7	17,5	6,5	3
57.442/1 *	C	15	8,4	22	8,1	1
57.442/2	C	15	8,4	22	8,1	2
57.442/3 *	C	15	8,4	22	8,1	3
57.443/1 *	D	23,8	10,8	27	10	1
57.443/2 *	D	23,8	10,8	27	10	2
57.443/3 *	D	23,8	10,8	27	10	3
57.444/1 *	E	41	11,5	29	10,3	1
57.444/2 *	E	41	11,5	29	10,3	2
57.444/3 *	E	41	11,5	29	10,3	3
57.445/1 *	GS	44,5	14,5	35	13,5	1
57.445/2 *	GS	44,5	14,5	35	13,5	2
57.445/3 *	GS	44,5	14,5	35	13,5	3
57.446/1 *	GM	64,3	14,5	35	13,5	1
57.446/2	GM	64,3	14,5	35	13,5	2
57.446/3 *	GM	64,3	14,5	35	13,5	3
57.447/1 *	GL	101,6	14,5	35	13,5	1
57.447/2	GL	101,6	14,5	35	13,5	2
57.447/3 *	GL	101,6	14,5	35	13,5	3

57.403/2.5J



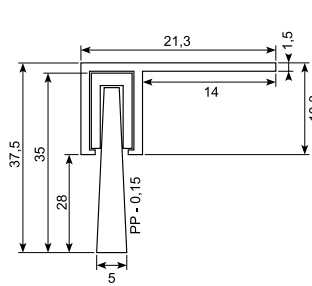
Material: Aluminium with polypropylene brush
Length: 2,5 m

57.405/2J



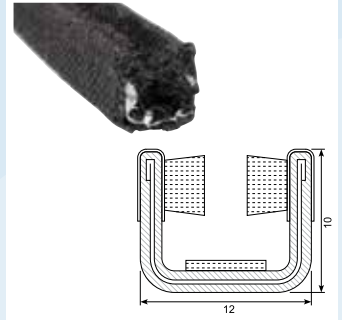
Material: Aluminium with polypropylene brush
Length: 2 m

57.443/2JP



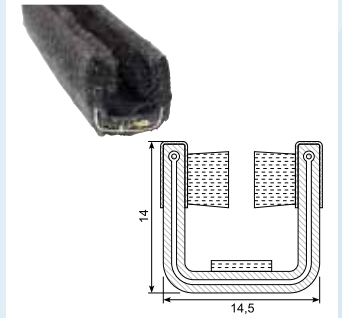
Material: Plastic with polypropylene brush
Length: 2 m

33.621



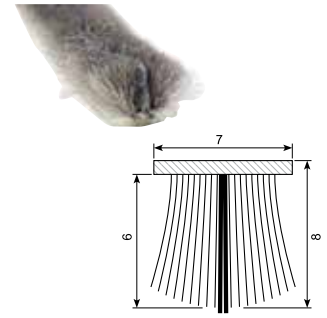
Rubber / fabric / brush
4 - 5 mm glass
Steel

33.623



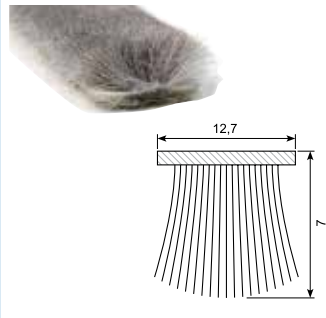
Rubber / fabric / brush
4 - 6 mm glass
Steel

33.611



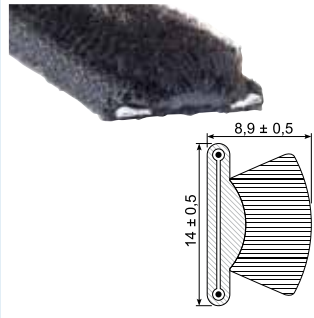
Self-adhesive list with brushes and waterproof center film

33.615

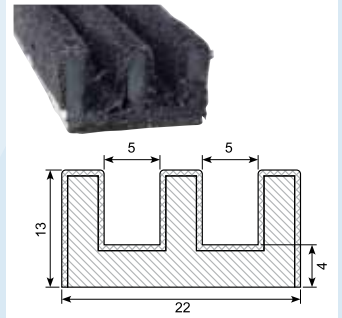


Self-adhesive list with brushes.

33.613

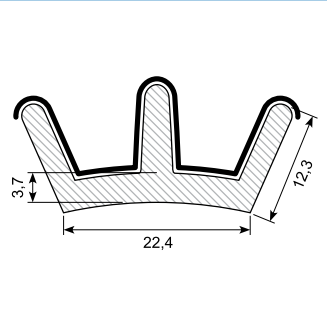


33.670



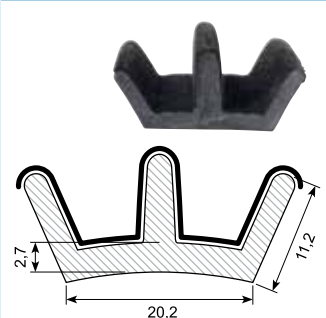
Flocked channel molding

33.671*



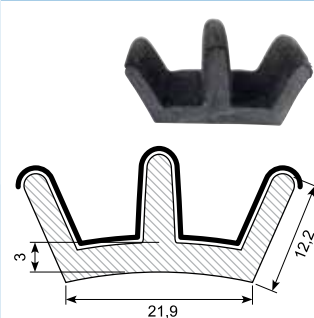
Material: EPDM
Density: 1,28
Hardness: SH 70
Min. order: 2.000 m
Flock: 3,3 dtex

33.672*



Material: EPDM
Density: 1,28
Hardness: SH 70
Min. order: 2.000 m
Flock: 3,3 dtex

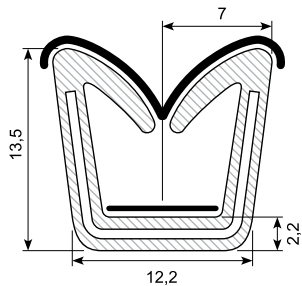
33.673*



Material: EPDM
Density: 1,28
Hardness: SH 70
Min. order: 2.000 m
Flock: 3,3 dtex

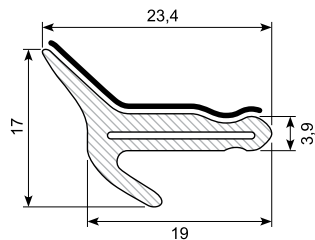
Børste- og flock-lister / Brush sections

33.674 *



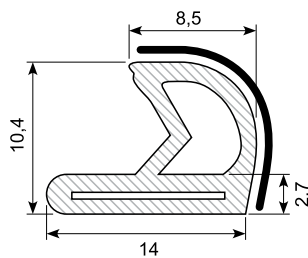
Material: EPDM
Density: 1,28
Hardness: SH 70
Min. order: 3.000 m
Flock: 3,3 dtex

33.675 *



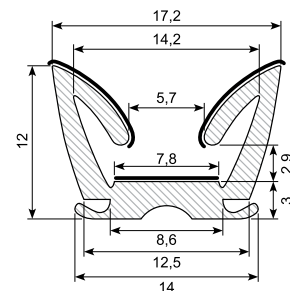
Material: EPDM
Density: 1,28
Hardness: SH 70
Min. order: 3.000 m
Flock: 3,3 dtex

33.676 *



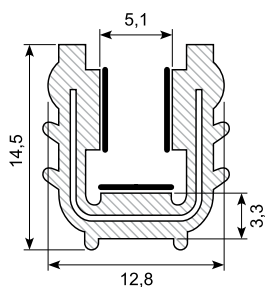
Material: EPDM
Density: 1,28
Hardness: SH 70
Min. order: 3.000 m
Flock: 3,3 dtex

30.13066 *



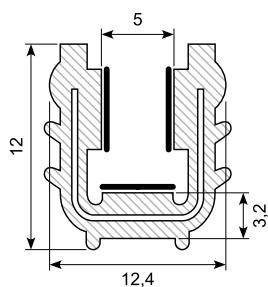
Material: EPDM
Density: 1,28
Hardness: SH 70
Min. order: 3.000 m
Flock: 3,3 dtex
Glass width: 5 mm

33.624 *



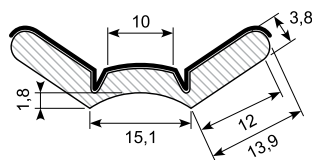
Material: EPDM
Density: 1,28
Hardness: SH 70
Min. order: 3.000 m
Flock: 3,3 dtex

33.625 *



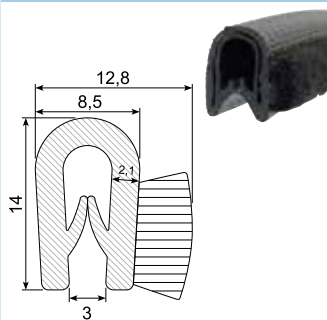
Material: EPDM
Density: 1,28
Hardness: SH 70
Min. order: 3.000 m
Flock: 3,3 dtex

30.14803 *



Material: EPDM
Density: 1,28
Hardness: SH 70
Min. order: 3.000 m
Flock: 3,3 dtex

33.416



Edge trim: PVC with brush
Grip range: 1 - 2,5 mm
Hardness: SH 78
Insert: 25 x 0,48 mm steel
New brush

Lydabsorption / Sound absorption

Selvklebende skum med Tedlarbelægning

Benyttes, alt afhængig af folieafdækning i førerkabiner, motorrum, kompressorer, generatorer, ventilatorer, turbiner, pumper og lignende.

Self-adhesive foam with Tedlar coat

Depending on the foil covers this is used in cabs, engine compartment, compressors, generators, fans, turbines, pumps or the like.

Art.	Farve / Color	Overflade / Surface	Dimension (mm)
48.603	Hvid / White	Plan 100% Plane 100%	20 x 1.200 x 1.500
48.604	Hvid / White	Plan 100% Plane 100%	30 x 1.200 x 1.500

Selvklebende skum med Bitumenindlæg

Self-adhesive foam with Bitumen inserts

Art.	Farve / Color	Overflade / Surface	Dimension (mm)
48.613K	Hvid / White	Plan 100% Plane 100%	33 x 600 x 1.000

Lydisolering / Soundproofing

Lydisoleringsmaterialer er typisk lavet af åbencellede, fleksible skummaterialer i tungere densiteter. Den forøgede densitet er opnået ved at anvende regenereret skum.

Anvendelsesområdet kan typisk være lydisolering af motorrum i lystbåde, vindmøllehuse, kompressorer og andre støjende maskiner, hvor det er muligt at adskille støjkilden fra det omliggende område.

Da der ofte skal etableres et kølende luftskifte i disse situationer, laver man en lydsluse beklædt med lydabsorptionsmateriale.

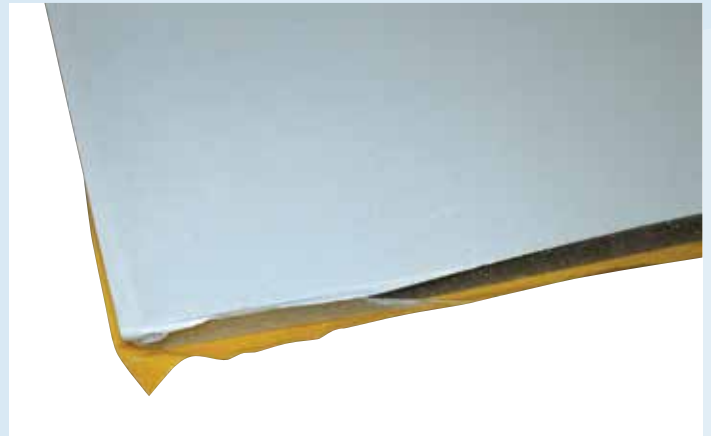
Granulat koldskum med enestående lydæmpningsevne. Benyttes til beklædning af motorrum, maskinafskærmninger, ventilationskamre og støjcabiner. Grundet den lave densitet kan den også, med fordel, anvendes som absorbent.



Art.	Overflade / Surface	Dimension (mm)
48.634	Ingen / None	20 x 500 x 1.000
48.635	Ingen / None	30 x 500 x 1.000
48.636	Ingen / None	40 x 500 x 1.000



Art.	Overflade / Surface	Dimension (mm)
48.634F	Folie / Foil	20 x 500 x 1.000
48.635F	Folie / Foil	30 x 500 x 1.000
48.636F	Folie / Foil	40 x 500 x 1.000
48.636FX	Folie / Foil	40 x 1.000 x 2.000



Self-adhesive foam with rubber surface

Selvklebende skum med gummi-overflade

Art.	Farve / Color	Overflade / Surface	Dimension (mm)
48.626	Sort / Black	Plan 100% Plane 100%	2 / 10 x 1.200 x 1.500

Soundproofing materials are typically made of open-celled, flexible foam materials in heavier densities. The increased density is achieved by using regenerated foam.

The field of application can typically be soundproofing of the engine compartment in yachting, wind turbine housings, compressors and other noisy machines where it is possible to separate the noise source from the surrounding area.

Because it is often necessary to assure a cooling air circulation in these situations you make a sound lock covered with soundproofing material.

Granulate cold foam with unique soundproofing ability. This is used for coating of engine compartment, machine guards, ventilation chambers and noise cabins. Due to the low density it may also be used as absorbent with advantage.



Art.	Overflade / Surface	Dimension (mm)
48.634K	Klæb / Glue	20 x 500 x 1.000
48.635K	Klæb / Glue	30 x 500 x 1.000
48.636K	Klæb / Glue	40 x 500 x 1.000



Art.	Overflade / Surface	Dimension (mm)
48.634KF	Folie og klæb / Foil and glue	20 x 500 x 1.000
48.635KF	Folie og klæb / Foil and glue	30 x 500 x 1.000
48.636KF	Folie og klæb / Foil and glue	40 x 500 x 1.000

Lydisolering / Soundproofing

Lydabsorption / Sound absorption

Lydabsorptionsmaterialer (PU) er typisk lavet af åbencellede, fleksible skummaterialer i lettere densiteter.

Anvendelsesområdet vil typisk være indvendig beklædning af førerkabiner, støjskærme, lydsluger, kanalvægge og lignende situationer, hvor det ikke er muligt at adskille støj-kilden fra det omkringliggende område.

Soundproofing materials (PU) are typically made of open-celled, flexible foam materials in lighter densities.

The field of application will typically be interior sheathing of cabs, noise barriers, sound locks, canal walls and similar situations where it is not possible to separate the noise source from the surrounding area.

Selvklæbende skum uden folie

Anvendes til indvendig beklædning af motorrum, maskin-fæstmønstre, støjkabiner, el-styretavler, paneler, indlæg i emballage m.m.

Self-adhesive foam without foil

This is used for interior sheathing of engine compartment, machine guards, noise cabins, electrical control panels, panels and inserts in packaging with more.

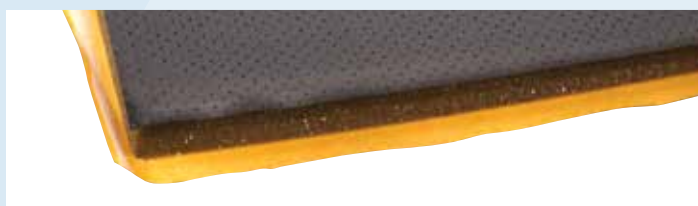
Selvklæbende skum med PVC-folie

Benyttes, alt afhængig af folieafdækning, til beklædning i førerkabiner, motorrum, kompressorer, generatorer, ventilatorer, turbiner, pumper og lignende.

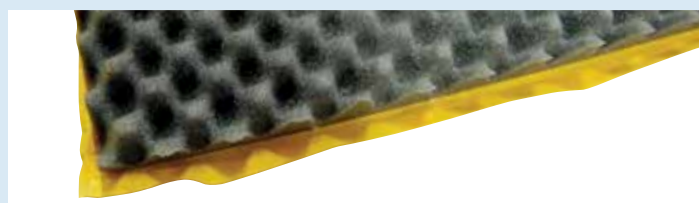
Self-adhesive foam with PVC foil Depending on the foil covers this is used for sheathing in cabs, engine compartment, compressors, generators, fans, turbines, pumps or the like.



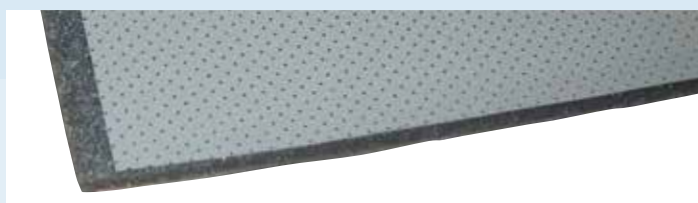
Art.	Overflade / Surface	Dimension (mm)
48.621	Plan / Plane	10 x 1.200 x 1.500
48.622	Plan / Plane	20 x 1.200 x 1.500
48.622X	Plan / Plane	30 x 1.200 x 1.500



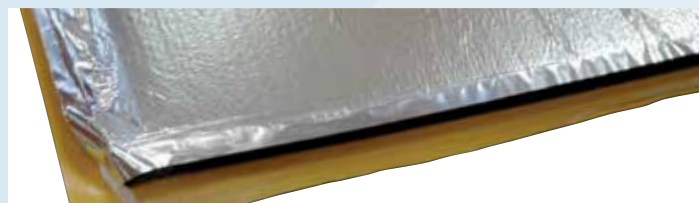
Art.	Farve / Color	Overflade / Surface	Dimension (mm)
48.605X	Sort / Black	2% perforated	10 x 1.200 x 1.500
48.605	Sort / Black	2% perforated	20 x 1.200 x 1.500
48.605Y	Sort / Black	2% perforated	30 x 1.200 x 1.500



Art.	Overflade / Surface	Dimension (mm)
48.623	Æggebakke / Egg tray	30 / 15 x 1200 x 1500
48.624	Æggebakke / Egg tray	40 / 20 x 1200 x 1500
48.623X	Æggebakke / Egg tray	30 / 15 x 1.200 x 2.000



Art.	Farve / Color	Overflade / Surface	Dimension (mm)
48.451	Grå / Grey	2 % perf. / pap 2 % perf. / cardcoard	10 x 1.000 x 1.500
48.452	Grå / Grey	2 % perf. / pap 2 % perf. / cardcoard	20 x 1.000 x 1.500



Art.	Color	Surface	Dimension (mm)
48.608	Alu.	Plane 100%	20 x 1.200 x 1.500
48.609	Alu.	Plane 100%	30 x 1.200 x 1.500



Art.	Color	Surface	Dimension (mm)
48.605B *	Brown	2 % perforated	20 x 1.200 x 1.500

Min. order: 10 pcs.

Soundproofing / Lyddæmpning

Lyddæmpningsmaterialer er typisk lavet af hårdt og tungt materiale.

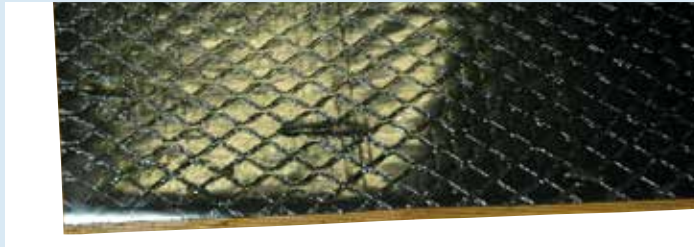
Anvendelsesmulighederne kan typisk være dæmpning af store pladearealer, bundplader i biler/maskiner, dørsider og andre steder hvor der kan opstå resonans.

Soundproofing materials are typically made of hard and heavy material.

The field of application can typically be damping of large plate areas, bottom plates in cars / machinery, doors and other places where there may be resonance.

Bitumenplader er kunststofbasis

Bitumen plates are based on synthetic material



Art.	Surface	Pack	Dimension (mm)
48.544A	Adhesive	4 pk.	500 x 500 x 3
48.542	Adhesive	6 pk.	500 x 250



Art.	Surface	Pack	Thickness (mm)	Dimension (mm)
48.442	Adhesive	1 pc	1,7	500 x 1.050



Art.	Surface	Pack	Thickness (mm)	Dimension (mm)
48.612	Adhesive	1 pc	3	750 x 1.200



Varenr.	Thickness (mm)	Dimension (mm)
48.618	10	1.250 x 1.500

Tilbehør / Accessory

68.4250



Alutape til samling af motorisolerings. 50 mm x 10 m.
Alu tape for the assembly of motor insulation. 50 mm x 10 m.

63.55030



Plastskive Ø50 mm til montering af motorisolerings.
Plastic disc with 50 mm diameter for mounting of motor insulation.



KINA GUMMIPLADER - COMMERCIAL QUALITY

Varene er prisgunstige alternativer til Europa plader. Ikke en erstatning for europæiske kvaliteter.

Hele ruller leveres i plastfolie. Pladerne er et godt alternativ til hovedparten af de gængse opgaver. Anbefales ikke til højkvalitetspakninger med store krav til tolerancer og mekanisk styrke. Sammenlign evt. de tekniske beskrivelser. Pladerne har større tykkelsestolerancer end de europæiske. Mange andre kvaliteter kan skaffes i større mængder.

CHINA RUBBER SHEETS - COMMERCIAL QUALITY

Excellent alternatives to European sheets at very favourable prices. SHOULD NOT be understood as a substitute for European qualities. The rubber sheets are delivered on rolls wrapped in plastic. The sheets are good alternatives for most common tasks. Cannot be recommended for high-quality seals with high demands on tolerances and mechanical strength. In case of doubt please compare the technical descriptions. The sheets have higher tolerances on thickness than the European ones. Many other qualities are available if large quantities are required.

Gummimåtter / Rubber sheets

Sort prisgunstig gummiplade til almen brug, hvor der ikke stilles større krav til trækstyrke. Bruges til pakninger, mellemlæg m.m.

Black commercial rubber mat for normal use, where there are no specific demands on tensile strength. Useful for seals.

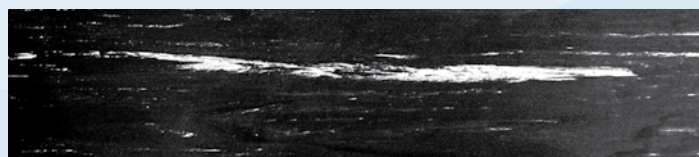
Art.	Thickness (mm)	Width (mm)	Length (mm)	Insertion
38.400-1.5	1,5	1.400	20.000	0
38.400-2	2	1.400	20.000	1
38.400-3	3	1.400	20.000	1
38.400-4	4	1.400	20.000	1
38.400-5	5	1.400	10.000	1
38.400-6/650	6	650	10.000	2
38.400-6	6	1.400	10.000	2
38.400-8	8	1.400	10.000	2
38.400-10	10	1.400	10.000	2
38.400-12	12	1.400	10.000	2
38.400-15	15	1.400	5.000	0
38.400-20	20	1.400	5.000	0
38.400-25	25	1.400	5.000	0

Gummimåtter / Rubber sheets

Bus- og tog-gangmåtte, marble-mønster/farve. 2 meter bredde, fås i 25 meters ruller.

Bus and train walk-away mat, marble pattern/color. 2 metres wide, length 25 metres.

Art.	Thickness (mm)	Width (mm)	Length (mm)	Insertion
38.428	3	2.000	25.000	0



Data	
Gummi / Rubber	NR / SBR
Farve / Color	Black
Kvalitet / Quality	Commercial
Hårdhed / Hardness - Shore A	70
Densitet / Gravity - g/cm ³	1,55
Forlængelse / Elongation - %	200
Arbejdstemperatur / Working temperature - °C	-20 +70
Trækstyrke / Tensile strength - N/mm ²	4

Data	
Mønster / Design	Marmor / Marble
Farve / Color	Black
Kvalitet / Quality	Commercial
Hårdhed / Hardness - Shore A	70
Densitet / Gravity - g/cm ³	1,5
Forlængelse / Elongation - %	250
Arbejdstemperatur / Working temperature - °C	-40 +80
Trækstyrke / Tensile strength - N/mm ²	3,5

Blød paragummi/naturgummi / Soft para rubber

Rød naturgummiplade. Meget blød, meget elastisk, stor friktion.

Red natural rubber sheet, very soft. Highly elastic, good friction.

Art.	Thickness (mm)	Width (mm)	Length (mm)	Insertion
38.401-2	2	1.400	10.000	0
38.401-3	3	1.400	10.000	0
38.401-4	4	1.400	10.000	0
38.401-5	5	1.400	10.000	0
38.401-6	6	1.400	10.000	0
38.401-10	10	1.400	10.000	0
38.401-15	15	14.000	5.000	0
38.401-20	20	14.000	5.000	0

Data	
Gummi / Rubber	Natur
Farve / Color	Rød / Red
Kvalitet / Quality	Commercial
Hårdhed / Hardness - Shore A	40
Densitet / Gravity - g/cm ³	1,25
Forlængelse / Elongation - %	550
Arbejdstemperatur / Working temperature - °C	-20 +90
Trækstyrke / Tensile strength - N/mm ²	18

EPDM Gummi Sort / Black

Sort EPDM gummi, meget god ozon- og vejrbestandighed.

God temperaturbestandighed.

Black EPDM rubber with high resistance to ozon and climate. Very resistant to cold and hot applications.

Art.	Thickness (mm)	Width (mm)	Length (mm)	Insertion
38.402-0,5	0,5	1.200	10.000	0
38.402-1X	1	1.400	20.000	0
38.402-2X	2	1.400	10.000	0
38.402-3X	3	1.400	10.000	0
38.402-4X	4	1.400	10.000	0
38.402-5X	5	1.400	10.000	0

Data	
Gummi / Rubber	EPDM
Farve / Color	Sort / Black
Kvalitet / Quality	Commercial
Hårdhed / Hardness - Shore A	70
Densitet / Gravity - g/cm ³	1,30
Forlængelse / Elongation - %	300
Arbejdstemperatur / Working temperature - °C	-40 +100
Trækstyrke / Tensile strength - N/mm ²	6 - 7

CR / Chloroprene Sort / Black

Sort CR gummiplade god vejr/vind- og ozonbestandighed, egnet hvor der ikke stilles krav til træk/rivstyrke. Betinget oliebestandig.

Black CR rubber plate, good climate resistance, used where there are no specific demands to tensile strength. Conditional oil resistance.

Art.	Thickness (mm)	Width (mm)	Length (mm)	Insertion
38.403-2	2	1.400	20.000	0
38.403-3	3	1.400	20.000	0
38.403-4	4	1.400	20.000	0
38.403-5	5	1.400	10.000	0
38.403-6	6	1.400	10.000	0
38.403-8	8	1.400	10.000	0

Data	
Gummi / Rubber	CR
Farve / Color	Sort / Black
Kvalitet / Quality	Commercial
Hårdhed / Hardness - Shore A	65
Densitet / Gravity - g/cm ³	1,55
Forlængelse / Elongation - %	280
Arbejdstemperatur / Working temperature - °C	-40 +90
Trækstyrke / Tensile strength - N/mm ²	3,5

Kinagummiplader / Rubber sheets from China

NBR / NITRIL - Sort / Black

Sort prisgunstig nitril med gode mekaniske egenskaber. Egnede til alle alifatisk og aromatiske olier, benzin.

Black commercial nitrile with good mechanical properties. Recommended for aliphatic and aromatic oils, petrol.

Art.	Thicknes (mm)	Width (mm)	Length (mm)	Insertion
38.304-1.5	1,5	1.400	20.000	0
38.404-2	2	1.400	20.000	0
38.404-3	3	1.400	20.000	0
38.404-4	4	1.400	20.000	0
38.404-5	5	1.400	10.000	0
38.404-6	6	1.400	10.000	0
38.404-8	8	1.400	10.000	0
38.404-10	10	1.400	10.000	0
38.404-12	12	1.400	5.000	0
38.404-15	15	1.400	5.000	0
38.404-20 *	20	1.400	5.000	0

Data	
Hårdhed / Hardness - Shore A	70
Densitet / Density - g/cm ³	1,49
Kvalitet / Quality	Commercial
Forlængelse / Elongation - %	330
Arbejdstemperatur / Working temperature - °C	-30 +70
Trækstyrke / Tensile strength - N/mm ²	10

Slid-gummi / Wearing rubber - Sort / Black

Slidgummi med høj træk/rivstyrke.

Egnede til alle stærkt slidende applikationer, grusgrave, sandblæsekabiner

Wearing/abrasion rubber with high tensile strength.

Recommended for wearing application, gravel pits, sandblasting.

Art.	Thicknes (mm)	Width (mm)	Length (mm)	Insertion
38.405-6	6	1.400	10.000	0
38.405-8 *	8	1.400	10.000	0
38.405-10	10	1.400	10.000	0
38.405-10X *	10	2.000	10.000	0
38.405-15	15	1.400	10.000	0
38.405-20 *	20	1.400	5.000	0
38.405-40 *	40	1.200	7.000	0

Data	
Hårdhed / Hardness - Shore A	60
Densitet / Density - g/cm ³	1,30
Forlængelse / Elongation - %	400
Arbejdstemperatur / Working temperature - °C	-30 +70
Trækstyrke / Tensile strength - N/mm ²	15

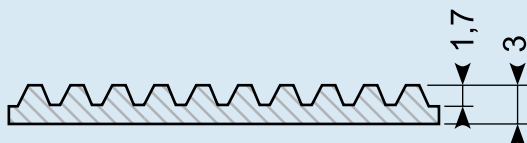
NR/SBR - Sort / Black - Grå / Grey

** = sort / black - 100% virgin quality SBR

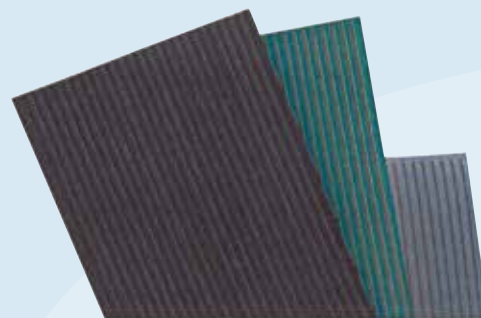
Lugtfri / non-smelling

Finnriflet gummiplade, skridsikker plade til kabiner, arbejdsborde, hylder, gangarealer, køretøjer, sportsaktiviteter, udstillinger.

Fine-ribbed rubber mat, non-slip coverings for cabins, working benches, shelves, corridors, vehicles, sporting facilities, exhibition floors.



Art.	Thickness (mm)	Width (mm)	Length (mm)	Insertion	Color
38.407-3X **	3	1200	20000	0	Black
38.407-3 **	3	1400	20000	0	Black
38.407-3C	3	1400	20000	0	Black
38.407-3G	3	1400	20000	0	Grey
38.407-3XL	3,5	1.800	10.000	0	Black



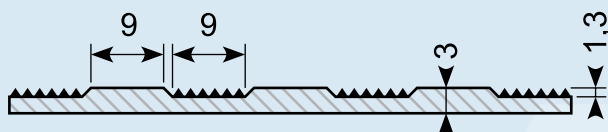
Data	38.407-3C	38.407-3G	**
Hårdhed / Hardness - Shore A	70	70	70
Densitet / Density - g/cm ³	1,6	1,6	1,6
Forlængelse / Elongation - %	280	280	280
Arbejdstemperatur / Working temperature - °C	-10 +70	-10 +70	-20 +70
Trækstyrke / Tensile strength - N/mm ²	3,5	3,5	5

Busmåtte / Bus mats

NR / SBR = Natur / SBR

Mellemriflet plade, egnet til gulv og vægbeklædning til busser, både, dyretransport, værksteder mm.

Medium-ribbed mat, recommended for floors and walls for buses, boats, animal transport, work shops.



Art.	Thickness (mm)	Width (mm)	Length (mm)	Insertion
38.418	3	1.500	15.000	0
38.418N *	3	1.500	15.000	0



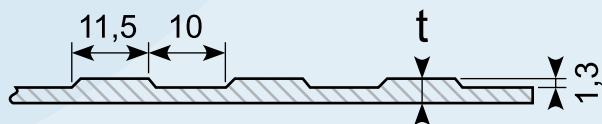
Data	38.418 NR / SBR	38.418N NBR
Hårdhed / Hardness - Shore A	70	70
Densitet / Density - g/cm ³	1,6	1,45
Kvalitet / Quality	Commercial	Commercial
Forlængelse / Elongation - %	280	250
Arbejdstemperatur / Working temperature - °C	-10 +70	-10 +70
Trækstyrke / Tensile strength - N/mm ²	3,5	6

Busmåtte / Bus mats - Commercial Quality

NR / SBR = Natur / SBR

** = Sort / Black - 100% virgin quality SBR

Lugtfri / Non smelling



Art.	Thickness (t) (mm)	Width (mm)	Length (mm)	Insertion
38.421C	5	1.400	10.000	0
38.420C	5	2.000	10.000	0
38.419 **	3,5	2.000	10.000	0
38.419X **	3,5	1.400	20.000	0
38.420 **	5	2.000	10.000	0
38.420 BOX ** (Wooden box)	5	2.000	50.000	0



Bredriflet plade, egnet til gulv og vægbeklædning til busser, både, dyretransport, værksteder mm.

Wide-ribbed mat, recommended for floors and walls for buses, boats, animal transport, work shops.

Data	NR / SBR	SBR **
Hårdhed / Hardness - Shore A	70	70
Densitet / Density - g/cm ³	1,6	1,6
Forlængelse / Elongation - %	280	280
Arbejdstemperatur / Working temperature - °C	-10 +70	-10 +70
Trækstyrke / Tensile strength - N/mm ²	3,5	5

Kinagummiplader / Rubber sheets from China

Diamantmätte / Diamond mat

Skridsikker PVC-mätte

PVC mat non-skid

Art.	Thickness (mm)	Width (mm)	Length (mm)	Insertion
37.245P	3	1.200	10.000	0

Current stock available



Data	
Hårdhed / Hardness - Shore A	80
Densitet / Density - g/cm ³	1,6
Forlængelse / Elongation - %	280
Arbejdstemperatur / Working temperature - °C	-10 +70
Trækstyrke / Tensile strength - N/mm ²	3,5

Knopmätte / Studded Flooring

Knopmätte, anbefales til trafikerede arealer, metro, lufthavne, supermarkeder, elevatorer, busser, toge, lastbiler, både m.m.

Studded flooring, recommended for high traffic areas such as metro, airports, supermarkets, lifts, buses, trains, trucks, boats.

Art.	Thickness (mm)	Width (mm)	Length (mm)	Insertion	Color
38.427-3C	3,5	1.200	10.000	0	Black
38.427-3GC	3,5	1.200	10.000	0	Grey



Data	Black	Grey
Hårdhed / Hardness - Shore A	65 - 70	65 - 70
Densitet / Density - g/cm ³	1,5	1,6
Kvalitet SBR / Quality SBR	Commercial	Commercial
Forlængelse / Elongation - %	150	150
Arbejdstemperatur / Working temperature - °C	-20 +70	-20 +70
Brudstyrke / Tear resistance - N/mm ²	3	3

Dørkmätte / Checker mat

Dørkmätte til industrigulve og maskinområder, varehuse, trafikerede områder, skridsikker overflade.

Studded flooring, recommended for high traffic areas such as metro, airports, supermarkets, lifts, buses, trains, trucks, boats.

Art.	Thickness (mm)	Width (mm)	Length (mm)	Insertion	Color
38.425-3	3	1.400	10.000	0	**
38.425-3C	3	1.400	10.000	0	C
38.425-5	5	1.400	10.000	0	**
38.425-5C	5	1.400	10.000	0	C
38.425N-3	3	1.400	10.000	0	NBR
38.425N-5	5	1.400	10.000	0	NBR
38.426-3	3	2.000	10.000	0	**
38.426-3C	3	2.000	10.000	0	C
38.426-5	5	2.000	10.000	0	**
38.426-5C	5	2.000	10.000	0	C
38.426-8C	8	2.000	10.000	0	C



Data	NR / SBR	NR / NBR Virgin **	NBR
Hårdhed / Hardness - Shore A	70	70	70
Densitet / Density - g/cm ³	1,6	1,6	1,45
Forlængelse / Elongation - %	350	350	250
Arbejdstemperatur / Working temperature - °C	-10 +70	-10 +70	-10 +70
Trækstyrke / Tensile strength - N/mm ²	3,5	5	6

NR/SBR = Natur / SBR

NBR = Oliebestandig / oil resistant

** = 100% Virgin quality lugtfri / non smelling / geruchsfrei

C = commercial quality

Viton-gummi

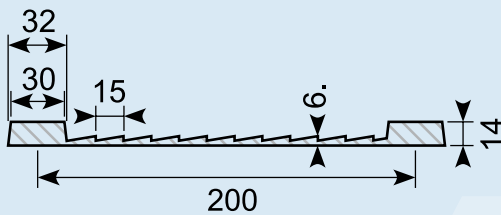
Art.	Thickness (mm)	Width (mm)	Length (mm)	Insertion
38.429-2 *	2	1.200	10.000	0

Min. order: 12 m²

Data	
Hårdhed / Hardness - Shore A	70
Densitet / Density - g/cm ³	-
Forlængelse / Elongation - %	250
Arbejdstemperatur / Working temperature - °C	-
Trækstyrke / Tensile strength - N/mm ²	7

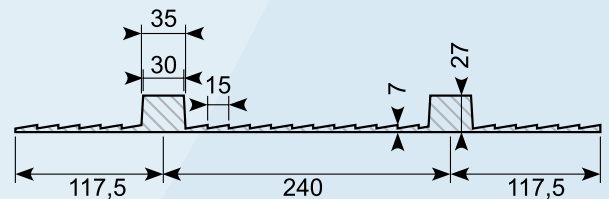
* Skaffevare / Special order item

Rampemåtte / Rear Board Matting



SBR - Sort / Black - Commercial

Art.	Thickness (mm)	Width (mm)	Length (mm)
37.250X	6/14	1.750	1.550



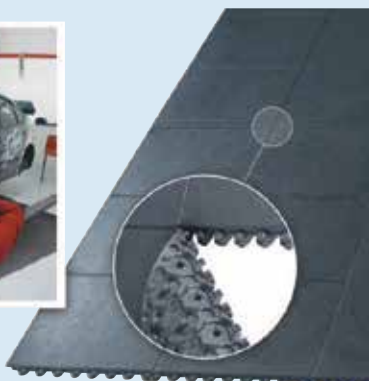
SBR - Sort / Black - Commercial

Art.	Thickness (mm)	Width (mm)	Length (mm)
37.251X		2.400	1.200

Data	37.250X	37.251
Hårdhed / Hardness - Shore A	SBR 70	SBR 65
Densitet / Gravity - g/cm ³	1,5	1,55
Forlængelse / Elongation - %	250	200
Arbejdstemperatur / Working temperature - °C	-40 +80	-20 +75
Trækstyrke / Tensile strength - N/mm ²	4	4,5

Gummimåtter / Rubber mats

Ergo Solid



Ergo Solid - tegn på ergonomisk indsigt

Ergo Solid er en nitrilgummimåtte med fantastiske gode aflastnings-egenskaber og slidstyrke. Pladerne kan sammensættes fleksibelt uden anvendelse af samlingsstykker. Velegnet til arbejdspladser i industrien med enten tørt eller fedtet miljø.

- Tåler kontakt med varmt værktøj
- oliebestandig
- Ryg og ben aflastes effektivt, hvilket resulterer i høj produktivitet og lavere sygefravær
- Affasede kanter minimerer risikoen for at snuble - findes ligeledes i gul for markering af arbejdsområde m.v.

Ergo Solid - shows ergonomical knowledge

Ergo Solid is a wear-resistant nitril rubber mat with excellent strain relief. The sheets may be joined together without the use of fittings. Suitable for workplaces in the industrial field - for dry or greasy environments.

- Tolerates contact with hot tools
- Oil resistant
- Bag and legs are effectively relieved resulting in a high productivity and less absence due to sickness.
- Chamfered edges keep the risk of stumbling to a minimum
- Available in yellow to mark the work area etc.

Art.	Name	Color	Size (m)	Height (mm)	Weight (kg)
38.9726230	Ergo Solid	Sort	0,91 x 0,91	19	8,2
38.9730030*	Skrå kant - male	Sort	0,08 x 0,91		1
38.9750030	Koppling	Sort	0,03 x 0,23		0,1
38.9730030S*	Skrå kant - female				

* Ved kant rundt om hele måtten. Bruges 2 han + 2 hun skråkanter. Grundmåtten har udvendige tappe på 2 sider.

* At the edge around the entire mat. Use 2 male + 2 female edges. The basic mat has exterior pins on 2 sides.

Ergo Bubble



Boblemåtte

Ergo Bubble er en traditionel boblemåtte fremstillet af skum-polyuretan. Materialet har unikke elastiske egenskaber som sammen med buerne i overfladen får benmusklerne til at arbejde og giver en god aflastning - samtidig med at den har meget høj slidstyrke. Måtten findes i flere standardstørrelser men kan derudover fremstilles efter dine specialmål. Samtlige Ergo Bubble har affasede kanter for at minimere snublerisikoen.

Er velegnet i alle tørre miljøer.

Art.	Name	Color	Size (m)	Weight (kg)
38.8100110	Ergo Bubble	Grafit	0,65 x 0,95	3,2
38.8100310	Ergo Bubble *	Grafit	0,65 x 1,8	4
38.8103110	Ergo Bubble *	Grafit	0,95 x 1,2	4



Kan skaffes i oliebestandig NBR /
Obtained in oil resistant NBR
0,65 x 1,4 m
0,95 x 1,5 m
0,95 x 1,8 m

Bubble mat

Ergo Bubble is a traditional bubble mat made from foam-polyurethane. The material has unique elastic properties which, together with the bubbles in the surface, make the leg muscles work and provide excellent strain relief - at the same time the mat is extremely hard-wearing.

Available in several standard sizes - or custom-designed according to your special dimensions. All Ergo Bubble have chamfered edges to reduce the risk of stumbling to a minimum.

Suitable for use in all dry environments.

Ergo Durk



En klassiker til mange arbejdspladser

Ergo Durk er en klassisk arbejdspladsmåtte med dørkmønstret overside i nitrilgummi. Bagsiden er af EPDM-cellegummi med lukkede celler.

Kombinationen af disse miljøvenlige materialer giver en både slidstærk og behagelig måtte at stå på. Desuden yders der 5 års komplet slitagaranti.

Fås i standardmåtte fra rulle eller i specialmål efter tegning, alt med af-fasede kanter.

Ergo Durk ESD beskytter også følsomt elektronik imod statisk elektricitet. Måtten er godkendt i henhold til SP 2472.

Art.	Name	Color	Size (m)	Weight (kg)
38.5017530 **	Ergo Durk	Sort	1,4 x 1	6,6
38.5017530 **	Ergo Durk	Sort	1,4 x 10	66



* Måtten har en gummioverside og en underside af EPDM.

* The mat has a rubber top side and a bottom side of EPDM.

A Classic for Many Workplaces

Ergo Durk is a classic workplace mat with a surface patterned like the deck of a ship and the upper side made of nitrile rubber. The back side is made of EPDM cellular rubber with closed cells.

The combination of these environmentally compatible materials provides a both hard-wearing and pleasant mat. Furthermore, there is a five-year guarantee against wear.

Available as a standard mat in a roll or in sheets specially made according to drawing - all with chamfered edges.

Ergo Durk ESD also protects sensitive electronics against static electricity. The mat has been approved acc. to SP 2472.

Ergo Dome



Ergo Dome, god måtte til gunstig pris

Ergo Dome er en slidstærk måtte i naturgummi (SBR).

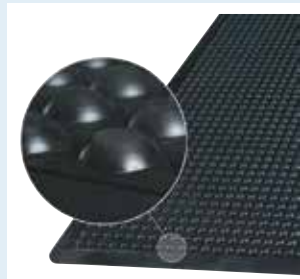
Den buleformede overflade stimulerer blodcirkulationen hvilket mindsker belastningsskader i ben og ryg.

Ergo dome, good mat at low prices.

Ergo dome is a durable mat of natural rubber (SBR).

The bulge-shaped surface stimulates blood circulation, which reduces stress injuries in the legs and back.

Kan skaffes i oliebestandig NBR /
Obtained in oil resistant NBR
0,6 x 0,9 m
0,9 x 1,2 m



Art.	Name	Color	Size (m)	Weight (kg)
38.410200	Ergo Dome	Sort	0,6 x 0,9	3,2
38.410201	Ergo Dome	Sort	0,9 x 1,2	4
38.410203	Ergo Dome Puzzle midterstykke	Sort	0,9 x 1,2	4
38.410202	Ergo Dome Puzzle, endestykke	Sort	0,9 x 1,2	4

Puzzle er med sorte kanter, og det er muligt at samle 2 endestykker til f.eks. 2,4 m

Puzzle is with black borders, and it is possible to assemble two end pieces, for example 2.4 m.

Gummimåtter / Rubber mats

Ergo Ring



Kan skaffes i / Obtained in
0,4 x 0,6 og 0,6 x 0,8



Skridsikker i vådt og tørt

Ergo Ring bortdræner effektivt væde og spildmateriale, hvilket sikrer en skridsikker overflade at stå på. Den åbne ringkonstruktion giver desuden en god aflastning.

- Kan samles, hvilket giver mulighed for store sammenhængende, skridsikre overflader
- Dræner effektivt, ideel ved bearbejdningsmaskiner eller i våde lokaler
- God som grov dørmatte i entreer
- Naturgummi med den rette hårdhed giver skridsikkerhed både i tørt og vådt miljø

Non-skid in wet and dry environment

Ergo Ring effectively drains off wet and waste material, which ensures a non-skid surface. The open annular construction provides an excellent strain relief.

- May be joined together to large coherent non-skid surfaces
- Drains effectively, ideal for machine tools or in wet premises
- Applicable as a coarse entrance door mat
- Natural rubber with the correct hardness provides skid resistance in both wet and dry environments.

Art.	Name	Color	Size (m)	Height (mm)	Weight (kg)
38.9117630	Ergo Ring	Sort	0,8 x 1,2	23	11
38.9117631	Ergo Ring	Sort	1 x 1,5	23	21
38.9110030	Samlestykke	Sort			

Ergo Ease



Art.	Name	Color	Size (m)	Height (mm)	Weight (kg)
38.9716230	Ergo Ease	Sort	0,91 x 0,91	14	8,2 kg

Kan skaffes i terracottarød / Obtained in terracotta red

Ergo Ease - kongen af aflastning

Ergo Ease er en nitrilgummimåtte med ekstremt gode aflastningsegenskaber og slidstyrke. Pladerne kan sammensættes fleksibelt uden anvendelse af samlingsstykker.

Velegnede til arbejdspladser i industrien med enten tørt eller fedtet miljø.

- Tåler kontakt med varmt værktøj
- Oliebestandig
- Ryg og ben aflastes effektivt, hvilket resulterer i høj produktivitet og lavere sygefravær
- Affasede kanter minimerer risikoen for at snuble - findes ligeledes i gul for markering af arbejdsområde m.v.

Ergo Ease - first-quality strain relief

Ergo Ease is a wear-resistant nitril rubber mat with excellent strain relief. The sheets may be joined together without the use of fittings. Suitable for workplaces in the industrial field in a dry or greasy environment.

Tolerates contact with hot tools

Oil resistant

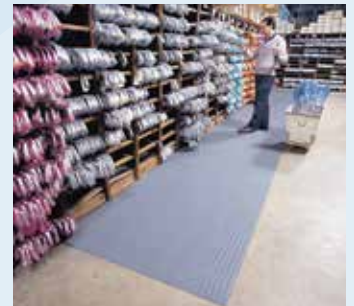
Back and legs are effectively relieved resulting in a high productivity and less absence due to sickness.

Chamfered edges keep the risk of stumbling to a minimum. Available in yellow to mark the work area etc.

Ergo Classic



Art.	Name	Color	Size (m)	Weight (kg)
38.5501110	Ergo Classic	Grå	0,61 x 18,3	36 kg
38.5501210	Ergo Classic	Grå	0,91 x 18,3	50 kg
	Ergo Classic	Grå	1,22 x 18,3	



Skridsikker i vådt og tørt

Ergo Ring bortdræner effektivt væde og spildmateriale, hvilket sikrer en skridsikker overflade at stå på. Den åbne ringkonstruktion giver desuden en god aflastning.

- Kan samles, hvilket giver mulighed for store sammenhængende, skridsikre overflader
- Dræner effektivt, ideel ved bearbejdningsmaskiner eller i våde lokaler
- God som grov dørmåtte i entreer
- Naturgummi med den rette hårdhed giver skridsikkerhed både i tørt og vådt miljø

Non-skid in wet and dry environment

Ergo Ring effectively drains off wet and waste material, which ensures a non-skid surface. The open annular construction provides an excellent strain relief.

- May be joined together to large coherent non-skid surfaces
- Drains effectively, ideal for machine tools or in wet premises
- Applicable as a coarse entrance door mat
- Natural rubber with the correct hardness provides skid resistance in both wet and dry environments.

Fingertip

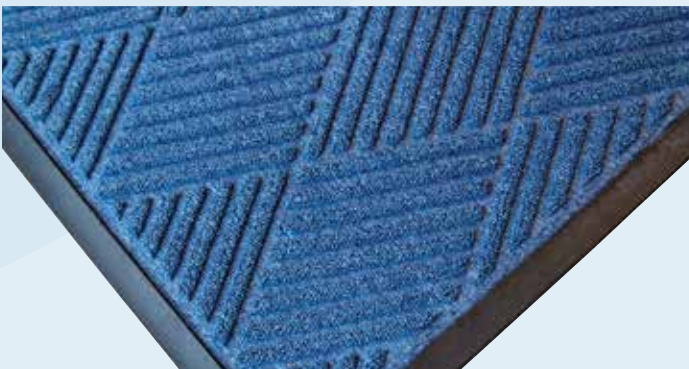


Art.	Name	Color	Size (m)
38.345522	Fingertip	Sort	0,8 x 1

Fingertip gummimåtte med skrå kant.

Fingertip rubber mat with beveled edge.

Smudsmåtter diamond blue / mat diamond blue



Art.	Color	Size (m)
38.623750	Blue	0,9 x 1,5
38.623752	Blue	0,6 x 0,9
38.623764	Blue	1,2 x 1,8

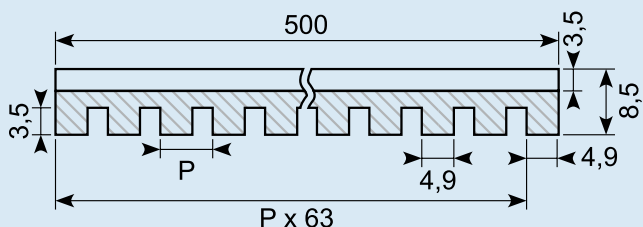
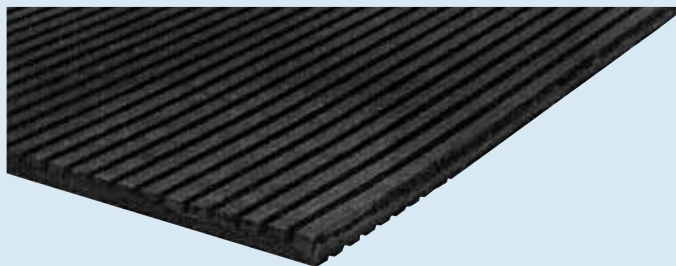
Dørmåtte blå, polypropylen med gummiskråkant. Kan spules med højtryksrensere.

Blue mat, polypropylene with rubber beveled edge. Can be flushed with high-pressure cleaner.

Kan skaffes i grå / Obtained in grey

Gummimåtter / Rubber mats

Vibrationsmatte / Vibration mat

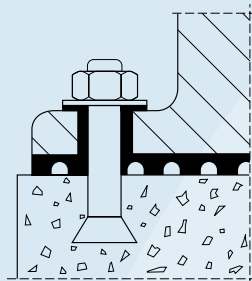


NR/SB

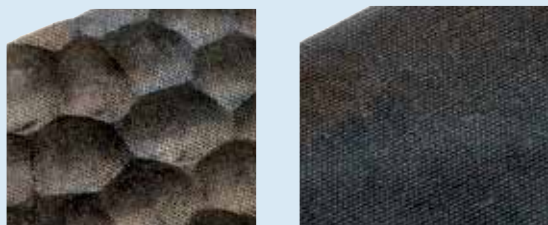
Art.	Thickness (mm)	Width (mm)	Length (mm)	Insertion
37.400	8,5	500	500	0

Sort, kommerciel gummiplade.
Anvendes mellem maskiner og gulv for at minimere og optage vibrationer.
Riller på begge sider.
Bæreevne 5 kg/cm²

Black commercial rubber plate.
To be used between machines and floor in order to minimize and absorb vibrations. Grooves on both sides.
Carrying capacity of 5 kg/cm².

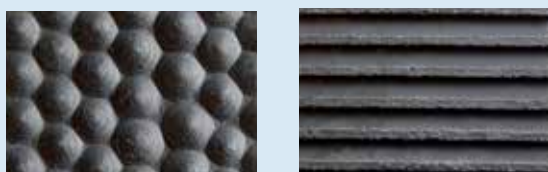


Komåtte / Cow mat (NR / SBR)



Art.	Width (mm)	Length (mm)	Thickness (mm)	Shore	Density
38.440-6	2.000	30.000	6	65	1,45
38.440-8	2.000	30.000	8	65	1,45
38.440-8X	1.250	10.000	8	65	1,45
38.440-6A	1.750	21.000	6	65	1,45
38.440-8A	1.750	21.000	8	65	1,45

Komåtte / Cow mat (NR / SBR)



Art.	Thickness (mm)	Width (mm)	Length (mm)
37.260	10	2.000	20.000
37.261 *	10	2.000	4.870
37.262 *	10	2.000	6.522

37.280



Grisemåtte 1.810 x 1.210 x 30 mm.
Cirkler / hul bund uden indlæg.
Pigs mat 1.810 x 1.210 x 30 mm.
Circles / hollow bottom without insert.

37.263



Komåtte 2.200 x 10.000 x 16 mm. Overflade cirkler u/indlæg. Bund ribbet i længderetning.
Cow mat 2.200 x 10.000 x 16 mm. Surface circles without insert. The bottom ribbed in longitudinal direction.

37.270



Komåtte 1.830 x 1.220 x 17 mm.
Knopper / ribbet bund uden indlæg.
Cow mat 1.830 x 1.220 x 17 mm. Studs / ribbed bottom without insert.

Traileråtte / Trailer mat

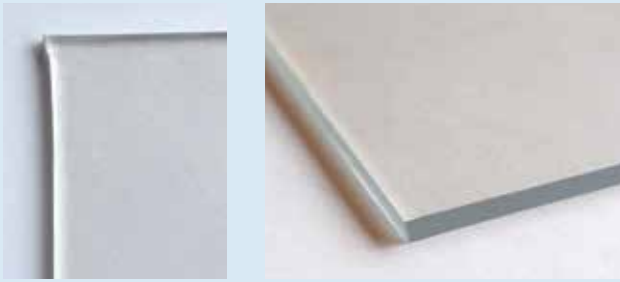


Data	
Gummi / Rubber	NR / SBR
Hårdhed / Hardness - Shore A	65
Densitet / Density - g/cm ³	1,4
Arbejdstemperatur / Working temperature - °C	-25 +70
Trækstyrke / Tensile strength - N/mm ²	12

Art.	Thickness (mm)	Width (mm)	Length (mm)
38.422-1350	6	1.350	21.000
38.422-1650	6	1.650	21.000
38.422-1750 *	6	1.750	21.000
38.423-1650	8	1.650	21.000
38.423-1750 *	8	1.750	21.000
38.424-1800 *	8	1.800	21.000

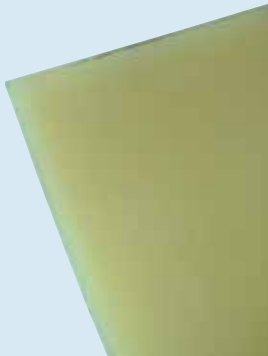
* Skaffevare / Special order item

Klar PVC / Transparent PVC



Art.	Thickness (mm)	Width (mm)	Length (mm)
38.449-750 *	3	750	20.000
38.449-1200	3	1.200	20.000
38.450-760 *	4	760	13.000
38.451-1600	5	1.600	20.000
38.452-1200 *	7	1.200	10.000

Polyurethanplader / Polyurethane plates

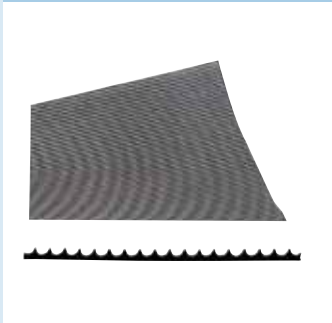


Art.	Thickness (mm)	Width (mm)	Length (mm)	Stock
38.430-5/70	5	2.000	1.000	X
38.430-5/80	5	2.000	1.000	X
38.430-8/70	8	2.000	1.000	X
38.430-8/90	8	2.000	1.000	X
38.430-10/70	10	2.000	1.000	X
38.430-10/90	10	2.000	1.000	X

Data

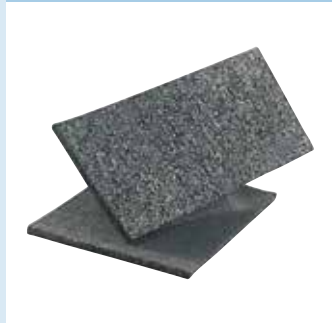
Hårdhed / Hardness - Shore A	70	80	90
Forlængelse / Elongation	500	450	400
Arbejdstemperatur / Working temperature - °C	-50 +100	-50 +100	-50 +100
Tear strength - KN/m	50	30	36
Trækstyrke / Tensile strength - N/mm ²	25	30	35

37.221/1G



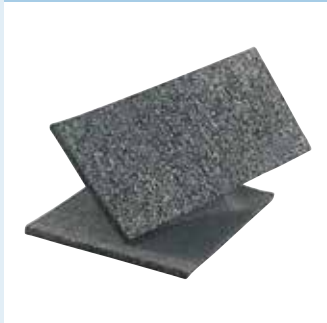
Material: Grey
Size: 1.000 x 10.000 x 3 mm

38.14124 *



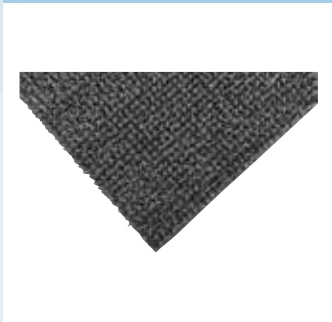
Anti slip plade. Gummigranulat.
Anti slip plate. Rubber granules.
8 x 100 x 200 mm
Min. order: 300

38.14572 *



Anti slip plade. Gummigranulat.
Anti slip plate. Rubber granules.
8 x 500 x 5000 mm
Min. order: 5 m

38.9971010 *



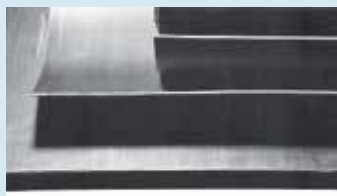
Græsmatte. Grå
Grass mat. Grey
900 mm x 16 m

38.9971020 *



Græsmatte. Grøn
Grass mat. Green
900 mm x 16 m

Gummimåtter / Rubber mats



Bus mats EU Semperit
Material: NR / NBR / NR-SBR

Art.	Width (mm)	Thickness (mm)	Quality	Color	Insert
38.121N *	1.400	1	NBR	Black	0
38.121NX *	1.400	1	NBR	Black	0
38.1215N	1.400	1,5	NBR	Black	0
38.122N *	1.400	2	NBR	Black	0
38.123N *	1.400	3	NBR	Black	0
38.124N *	1.400	4	NBR	Black	0
38.125N *	1.400	5	NBR	Black	0
38.125S *	1.400	5	NBR	Black	0
38.126N *	1.400	6	NBR	Black	0
38.128N	1.400	8	NBR	Black	0
38.128NH	1.400	8	NBR	White	0
38.128S *	1.400	8	NBR	Black	0
38.130N *	1.400	10	NBR	Black	0
38.132N *	1.400	12	NBR	Black	0
38.135N *	1.400	15	NBR	Black	0
38.139N *	1.400	20	NBR	Black	0
38.1215	1.400	1,5	NR / SBR	Black	1
38.1215NH *	1.400	1,5	NR / SBR	White	1
38.122	1.400	2	NR / SBR	Black	1
38.122A *	1.400	2	NR / SBR	Black	2
38.123 *	1.400	3	NR / SBR	Black	1
38.123X *	1.400	3	NR / SBR	Black	Smooth
38.124	1.400	4	NR / SBR	Black	1
38.125 *	1.400	5	NR / SBR	Black	1
38.126 *	1.400	6	NR / SBR	Black	2
38.128 *	1.400	8	NR / SBR	Black	2
38.128SX *	1.400	8	NBR / SBR	Black	Smooth
38.130	1.400	10	NR / SBR	Black	2
38.132 *	1.400	12	NR / SBR	Black	2
38.135 *	1.400	15	NR / SBR	Black	0
38.136 *	1.400	20	NR / SBR	Black	0
38.137 *	1.400	25	NR / SBR	Black	0
38.138 *	1.400	30	NR / SBR	Black	0
38.139 *	1.400	30	NR / SBR	Black	0
38.140 *	1.400	50	NR / SNR	Black	0
38.122EPDM	1.400	2	EPDM	Black	0
38.123EPDM	1.400	3	EPDM	Black	0



Rubber cork
Material: NR / NBR / NR-SBR

Art.	Size (mm)	Thickness (mm)	Quality
38.201.5	1.000 x 1.000	1,5	1.235
38.202	1.000 x 1.000	2	1.235
38.203	1.000 x 1.000	3	1.235
38.204	1.000 x 1.000	4	1.235
38.205	1.000 x 1.000	5	1.235
38.205R *	1.060 x 13.000	5	1.235

Min. order: 4 rl.

50.241NR



T-strap
Material: NR
Length: 150 mm

50.245NR



T-ladder
Material: NR
Length: 160 mm

50.245H



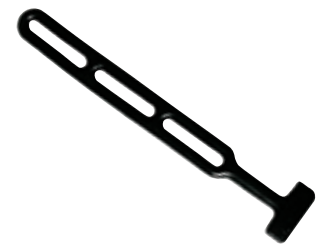
T-ladder
Material: White EPDM
Length: 160 mm

50.242NR



T-strap
Material: NR
Length: 250 mm

50.246NR



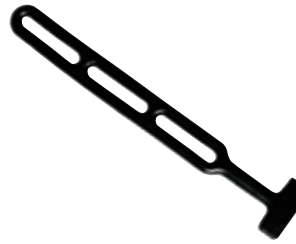
T-ladder
Material: NR
Length: 260 mm

50.265-10



Combi strap
Material: NR
Length: 275 x 25 mm
(10 pcs. package)

50.246-10



T-ladder
Material: NR
Length: 280 x 30 mm
(10 pcs. package)

50.265



Combi strap
Material: EPDM
Length: 280 mm

50.266



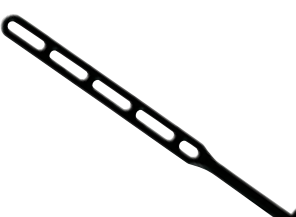
Combi strap
Material: EPDM
Length: 360 mm

50.247-10



Combi strap
Material: NR
Length: 365 x 25 mm
(10 pcs. package)

50.247NR



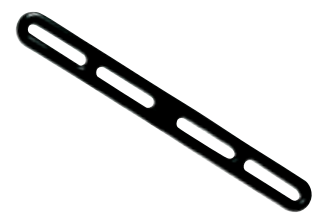
Combi strap
Material: NR
Length: 380 mm

50.275



POP ladder
Material: EPDM
Length: 200 mm

50.244NR



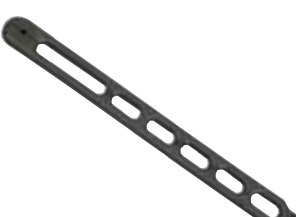
Strap
Material: NR
Length: 260 mm

50.271



Strap
Material: EPDM
Length: 270 mm

50.276



POP ladder
Material: EPDM
Length: 275 mm

50.264-10



Strap
Material: NR
Length: 285 x 30 mm
(10 pcs. package)

Gummistropfer / Rubber straps

50.264



Strap
Material: NR
Length: 290 mm

50.261



Strap
Material: EPDM
Length: 200 mm, Ø 8 mm

50.263



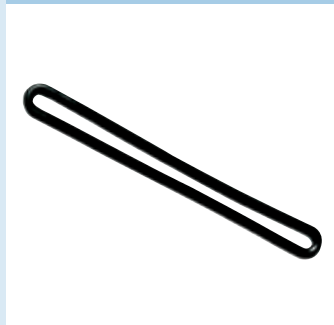
Strap
Material: EPDM
Length: 200 mm, Ø 7 mm

50.263K



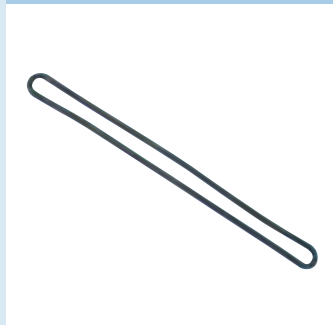
Strap with hook
Material: NR
Length: 200 mm

50.243NR



Strap
Material: NR
Length: 260 mm

50.267NR



Strap
Material: NR
Length: 400 mm

50.267



Strap
Material: EPDM
Length: 400 mm

50.269



Ring
Material: EPDM
Length: Ø 106 mm / 86 mm

50.13621



Strap with hook and eye
Length: 20 x 490 mm

50.280



Strap with hook and eye
Length: Strop 480 mm
Total 610 mm

50.250



Ladder strap
Material: SBR
Length: 10 m

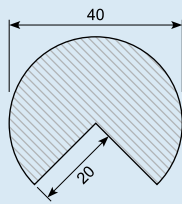


Luggage strap

Art.	Measure (mm)
79.051	600
79.051A	700
79.052	900
79.053	1.250
79.054	1.750
79.055	3.000

39.BUMPER

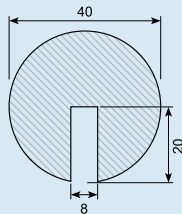
Type A. Sort og gul.
1.000 mm lang.
Selvklæbende.



Type A. Black and yellow.
1.000 mm long.
Adhesive.

39.BUMPERB

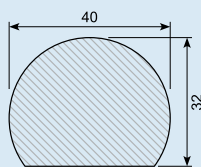
Type B. Sort og gul.
1.000 mm lang.
Selvklæbende.



Type B. Black and yellow.
1.000 mm long.
Adhesive.

39.BUMPERC

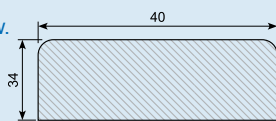
Type C. Sort og gul.
1.000 mm lang.
Selvklæbende.



Type C. Black and yellow.
1.000 mm long.
Adhesive.

39.BUMPERD

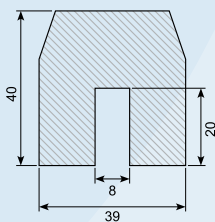
Type D. Sort og gul.
1.000 mm lang.
Selvklæbende.



Type D. Black and yellow.
1.000 mm long.
Adhesive.

39.BUMPERE

Type E. Sort og gul.
1.000 mm lang.
Selvklæbende.

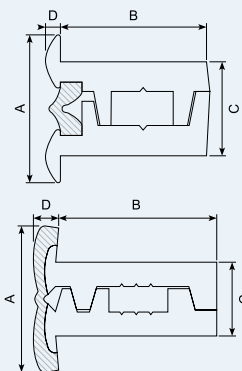


Type E. Black and yellow.
1.000 mm long.
Adhesive.

Centraflex

Centraflex. Vandtæt stanghængsel med polyester-kerne og PVC-flanger. Tillader 180 gr. åbning. Stor styrke og høj elasticitet. Sort finish. Længde: 2000 mm.

Weather-proof continuous hinge with polyester-core and synthetic flanges. 165° opening, 28 mm face. High strength and excellent flexibility. Black finish. Length: 2000 mm.



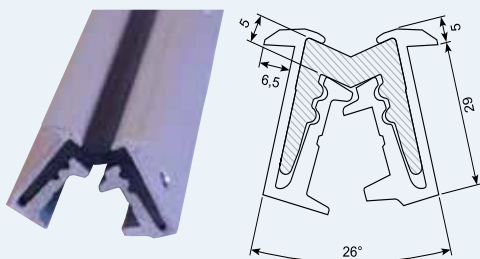
Art.	A mm	B mm	C mm	D mm	L mm
20.6020	28	23	16	4	2.000
20.6025	28	23	16	4	2.500
20.6030	28	23	16	4	3.000

Art.	A mm	B mm	C mm	D mm	L mm
20.6120	30	34	16	4,5	2.000
20.6125	30	34	16	4,5	2.500
20.6130	30	34	16	4,5	3.000

Poliall

Poliall stanghængsel, vandtæt. Med PU kerne og aluminiumsflanger. Tillader 180 gr. åbning. Forboret med 5 mm huller i flange.

Poliall rod hinge, waterproof. With PU core and aluminum flanges. Allows 180 degree opening. Pre drilled with 5 mm holes in flange.

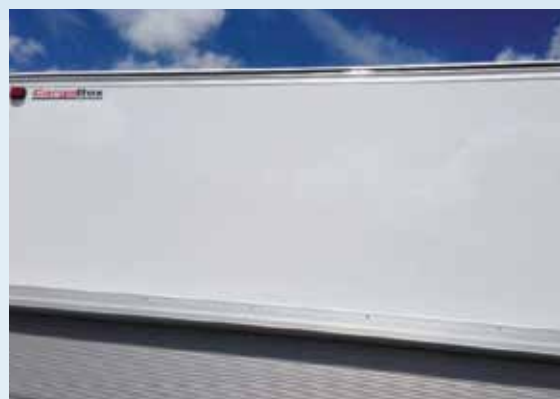
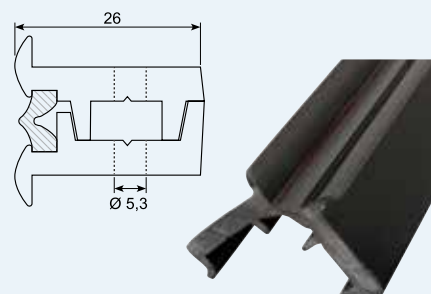


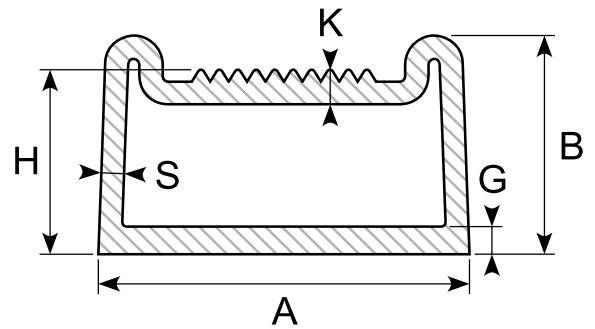
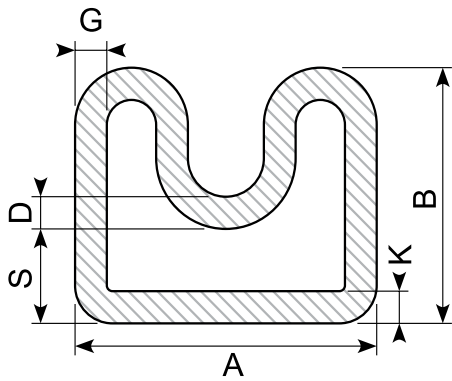
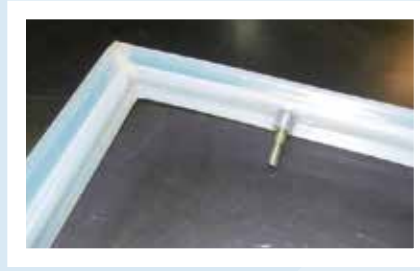
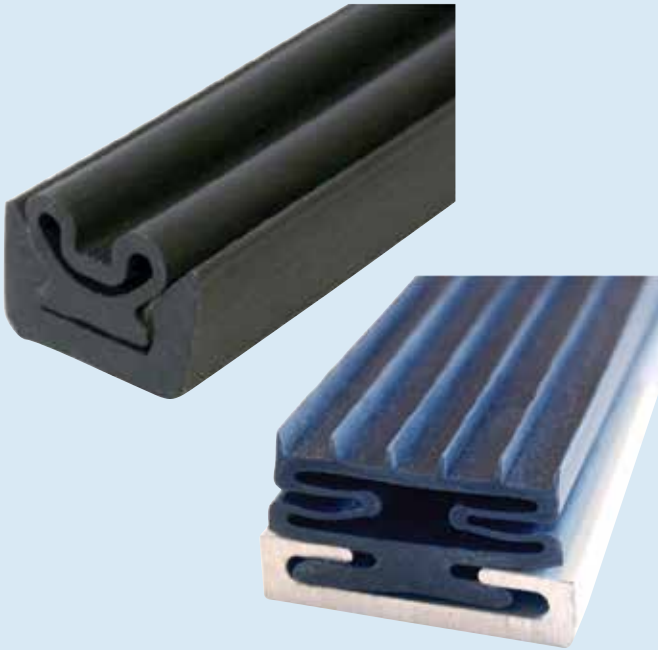
Art.	B mm	L mm
54.261700JC-5	29	2.054
54.261700JX-5	29	2.200
54.261700JD-5	29	2.240
54.261700J-5	29	2.400
54.261720J-5	29	2.700
54.261740J-5	29	3.000
54.261760J-5	29	3.200
54.261780J-5	29	4.000

20.13002

Co-extruderet PVC-hængsel. 1.678 mm med Ø 5,3 mm forborede huller. Kun til lette opgaver.

Co-extruded PVC hinge. 1678 mm, ø 5.3 mm holes pre-drilled holes. Only for light tasks.

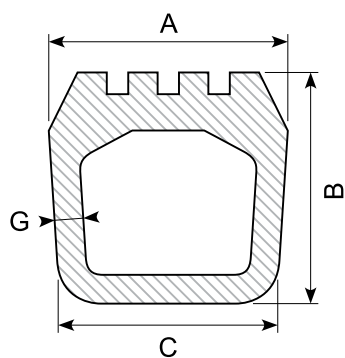




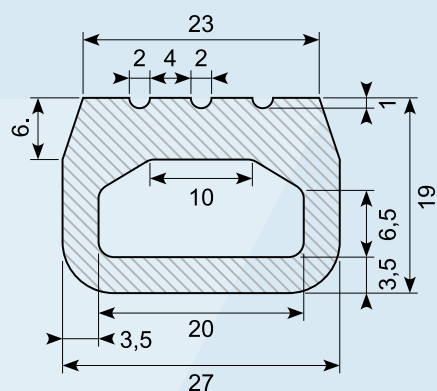
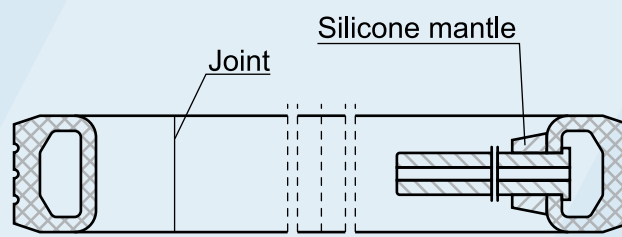
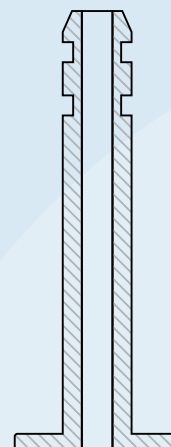
Art.	A	B	D	G	K	S	Hardness SH A
30.0192-2819 *	16	14	1,8	1,8	1,8	4,9	65
30.0192-3161 *	18	15,5	2	2	2	6	60
30.0192-3375 *	18	15,5	2	2	2	2	60
30.0192-3877 *	24	20	2,5	2,5	2,5	5	60
30.0192-4588 *	18,5	17	2	2	2	9	60
30.0192-4633 *	26	20	3	3	3	8,2	60
30.0192-4634 *	35	32	5	5	5	17,6	60
30.0192-4733 *	18,7	18/ 16,6	2	2	2	7,9	60
30.0192-4756 *	16	17	1,5	1,5	1,5	10	60
30.0192-4926 *	27	20	4	4	4	10	60
30.0192-4947 *	22	16	3	3	3	6	60
30.0192-10322 *	30	15	3	3	3	3,7	60
30.0192-10680 *	25,3	20	2,7	2,7	2,7	7,3	60
30.0192-10927 *	26,5	20	3	3	3	9	60
30.0192-10963 *	17	14	2	2	2	5	60
30.0192-11007 *	26	20	3	3	3	8,5	60
30.0192-11016 *	46	34	3	3	5	9	60
30.0192-11484 *	35	34	3	3	3	17	60
30.0192-11800 *	10	10	1,5	2	2	5	60
30.0192-12418 *	45	34	3	3	5	9	60
30.0192-12642 *	21	15	2	2	2	8	60

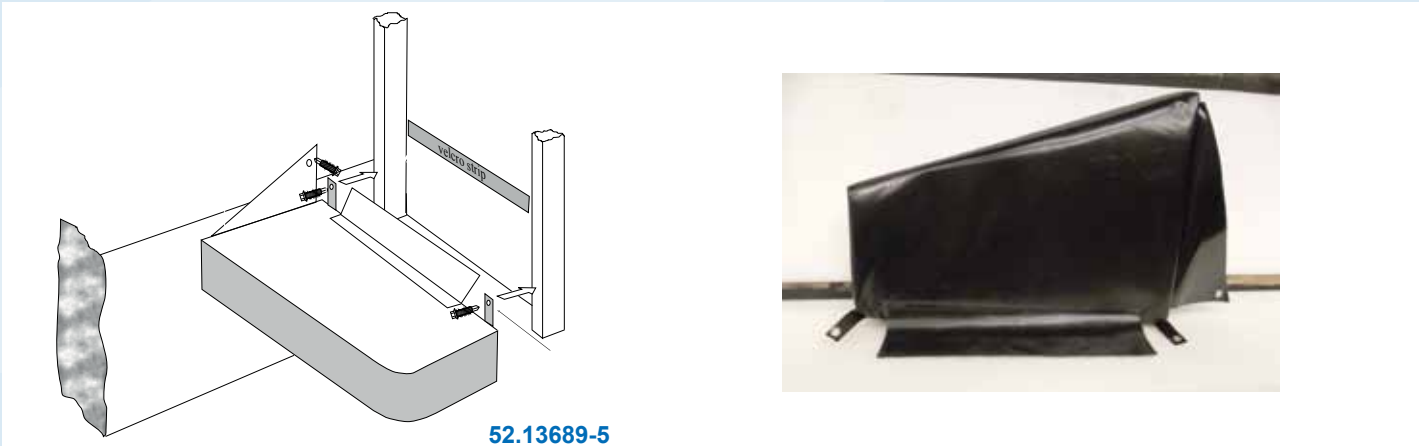
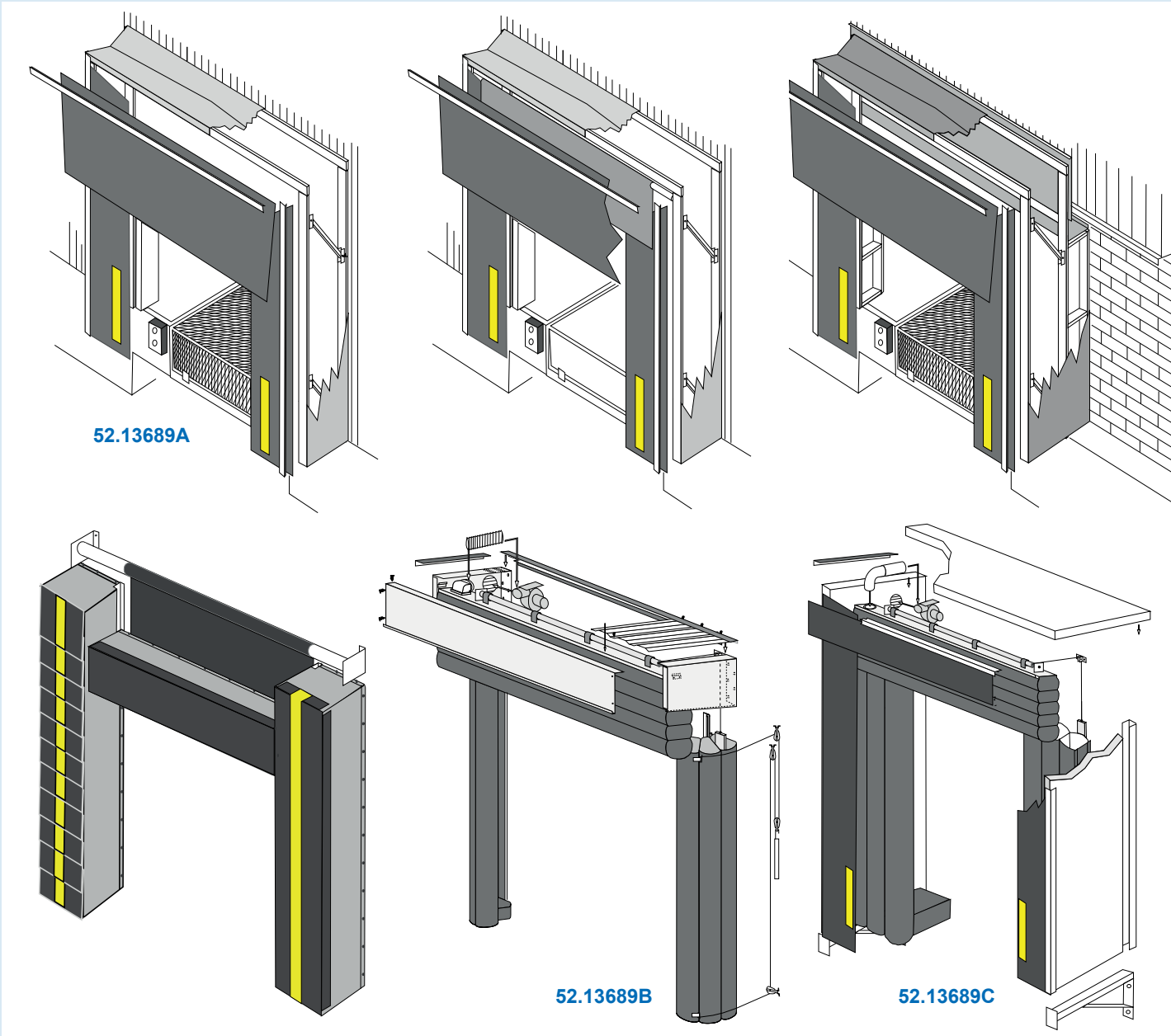
Art.	A	B	G	H	K	S	Hardness SH A
30.0192-2076 *	16	10	2	10	2,5	1	50
30.0192-2969 *	17	9,5	1,2	8	1,5	1	76
30.0192-3214 *	16	9,5	1,2	8	1,5	1	76
30.0192-3414 *	8,6	8,3	1,2	7,5	1,4	1,2	60
30.0192-3415 *	12	8,5	1,2	7,7	1,4	1,2	60
30.0192-3739 *	17	8,5	1,5	7	2	1	76
30.0192-4792 *	16	7,5	1,2	7	1,5	1	60
30.0192-4906 *	12	8	1,2	6,3	1,5	1,2	60
30.0192-10966 *	30	30,3	4	33,5	9,9	4	60
30.0192-11527 *	17	8,5	1,2	7	1,5	1	60

Ventil eksempel / Valve example



Art.	A	B	C	G	Hardness SH A
30.0192-0374 *	16	20	15	2,5	50
30.0192-0460 *	17	18	17	3,5	50
30.0192-0431 *	34	35	35	5	60
30.0192-0459 *	17	18	15	2,5	50
30.0192-1345 *	16	18	16	2,5	50
30.0192-1494 *	14	11	14	2/2,25	60
30.0192-1744 *	35	33	35	5,5	55
30.0192-1768 *	27	19	27	3,5	50
30.0192-1881 *	36	26,9	36	5	55
30.0192-1949 *	17,5	20	17,5	3	45
30.0192-2029 *	14	14	15,5	2,5	50
30.0192-2067 *	16,5	16	15	2	55
30.0192-2364 *	35	32	35	5	60
30.0192-2408 *	16,5	13	16,5	2,5	55
30.0192-2845 *	14	11	13	2	60
30.0192-3365 *	14	10	14	2	60
30.0192-3497 *	27,5	25	27,5	3	60
30.0192-3551 *	33,5	32	35	5	60
30.0192-3588 *	16	14	16	2	60
30.0192-3616 *	15,5	18	15,5	2	60
30.0192-3693 *	53	41,5	53	5	60
30.0192-3845 *	35	32	35	4	60
30.0192-3900 *	35	32	35	5	60
30.0192-4626 *	34	25	34	5	60
30.0192-4690 *	35	32	35	4,5	60
30.0192-4973 *	15,2	13,6	16,2	2	55
30.0192-10142 *	16	12	16	2,5	60
30.0192-10318 *	35	31	35	4,5	65
30.0192-10358 *	21	24	21	3	60
30.0192-10389 *	16	12	16	2	60
30.0192-10519 *	16	12	16	2	60
30.0192-10947 *	35	32	35	3,3	55
30.0192-11093 *	13,6	10	13,6	2	55
30.0192-11137 *	14	14	14	3	60
30.0192-11278 *	17	9	17	2	55
30.0192-11342 *	32,5	32	35	5	60
30.0192-11385 *	33,5	30	35	5	60
30.0192-11550 *	34	35	35	5	70
30.0192-11937 *	22	20	22	3	60
30.0192-11991 *	33,7	32	33,7	5	60
30.0192-12300 *	35	31,5	35	5	60
30.0192-12398 *	35	35	35	4,3	60
30.0192-12442 *	14	10	14	1,7	50
30.0192-12465 *	35	33	35	4	60





Portsluser og tilbehør / Dock shelters

39.1501 *



Front plate
440 x 250 x 62 mm
Weight: 16 kg
For buffer [39.642X](#)

39.1502 *



Front plate
415 x 215 x 62 mm
Weight: 14 kg
For buffer [39.643X](#)

39.1503 *



Back plate for welding
450 x 250 x 15 mm
Weight: 15 kg

39.1504 *



Back plate galvanized
450 x 250 x 15 mm
Weight: 15 kg

39.1505 *



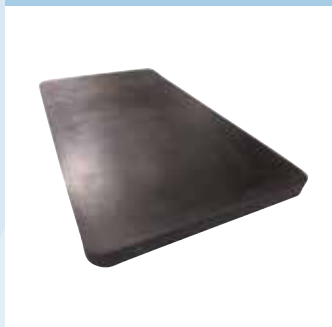
Packer
450 x 250 x 10 mm
Weight: 1,3 kg
Rubber spacer

39.1506 *



Packer
450 x 250 x 15 mm
Weight: 2,3 kg
Rubber spacer
Holes as an option

39.1507 *



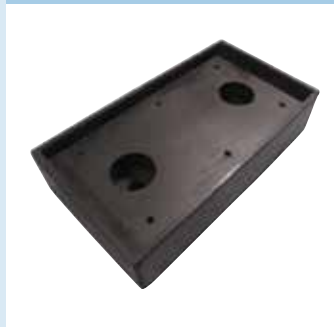
Packer
450 x 250 x 20 mm
Weight: 2,8 kg
Rubber spacer
Holes as an option

39.1508 *



Packer
450 x 250 x 50 mm
Weight: 5,5 kg
Rubber spacer

39.1509 *



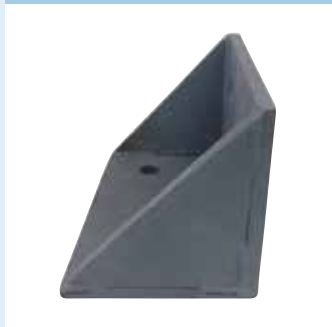
Dock bumper accessory
450 x 250 x 100 mm
Weight: 10 kg
Buffer for PE plate

39.1510 *



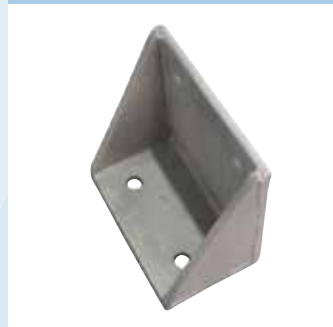
Front plate. Hardwearing PE
410 x 210 x 35 mm
Weight: 2,5 kg

39.1511 *



Dock bumper accessory
250 x 150 x 150 mm
Weight: 8,1 kg
For mount of buffer 150 mm over
ramp level

39.1512 *



Dock bumper accessory
250 x 250 x 150 mm
Weight: 12 kg
For mount of buffer 150 mm over
ramp level

39.1513 *



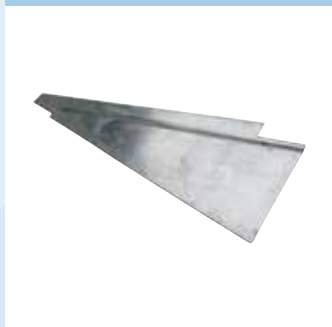
Front plate
440 x 440 x 62 mm
Weight: 13,5 kg

39.1514 *



Packer
450 x 450 x 15 mm
Weight: 2,3 kg
Rubber spacer for [39.651A](#)

39.1515 *



Dock bumper accessory
1.470 x 540 (max.) x 100 mm
(min.)
Weight: 12 kg
Toe protection

* Skaffevarer / Special order item

39.1616 *



Packer
750 x 250 x 15 mm
Weight: 3,6 kg
Rubber spacer

39.1617 *



Packer
750 x 250 x 20 mm
Weight: 10,5 kg
Rubber spacer

39.1618 *



Packer
750 x 250 x 50 mm
Weight: 10,5 kg
Rubber spacer

39.1819 *



Front plate
732 x 250 x 62 mm
Weight: 26 kg
For buffer [39.649](#)

39.1620 *



Back plate for welding
750 x 250 x 15 mm
Weight: 24 kg

39.1621 *



Back plate. Galvanized
750 x 250 x 15 mm
Weight: 24 kg

39.1622



Back plate for 450 mm buffer
720 x 250 x 66 mm
Weight: 32 kg
Spring loaded. Follows the truck when loading.

39.1623 *



Back plate for 750 mm buffer
965 x 250 x 66 mm
Weight: 47 kg
Spring loaded. Follows the truck when loading.

39.1624 *



Dock bumper accessory
750 x 250 x 100 mm
Weight: 17 kg
Buffer for PE plate

39.1625 *



Front plate. Hardwearing PE.
710 x 210 x 35 mm
Weight: 4,5 kg

39.654 *



Dock bumper L
750 x 400 x 100 mm
Weight: 36 kg

39.655 *



Dock bumper L
750 x 400 x 100 mm
Weight: 36 kg

39.1626 *



Front plate. Galvanized
750 x 400 x 100 mm
Weight: 36 kg

39.1627 *



Front plate. Galvanized
750 x 400 x 100 mm
Weight: 36 kg

39.1628 *



Back plate. Galvanized
750 x 400 x 100 mm
Weight: 34 kg

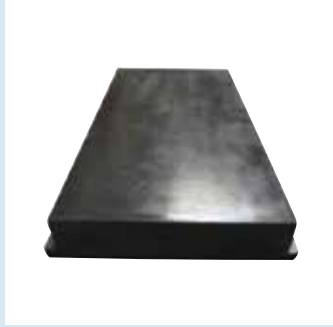
39.1629 *



Back plate. Galvanized
750 x 400 x 100 mm
Weight: 34 kg

Portsluser og tilbehør / Dock shelters

39.1630 *



Front plate. Hardwearing rubber
448 x 248 x 50 mm
Weight: 7 kg

39.1631 *



Front plate. Hardwearing PE
450 x 250 x 50 mm
Weight: 5 kg

39.1632 *



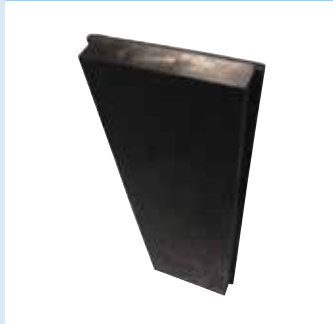
Back plate. Galvanized
450 x 250 x 60 mm
Weight: 11 kg
Remember rubber spacer

39.1633 *



Back plate. Galvanized
470 x 270 x 120 mm
Weight: 21 kg
Remember rubber spacer

39.1634 *



Front plate. Hardwearing rubber
750 x 250 x 50 mm
Weight: 12 kg
Alternative to 39.1635

39.1635 *



Front plate. Hardwearing PE
750 x 250 x 50 mm
Weight: 8 kg

39.1636 *



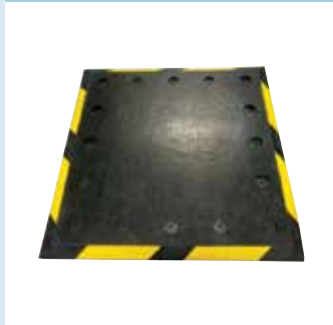
Back plate. Galvanized
770 x 270 x 80 mm
Weight: 26 kg
Remember rubber spacer

39.1637 *



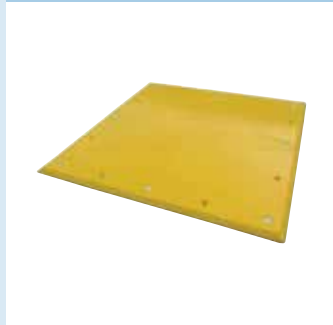
Back plate. Galvanized
770 x 270 x 120 mm
Weight: 34 kg
Remember rubber spacer

39.1638 *



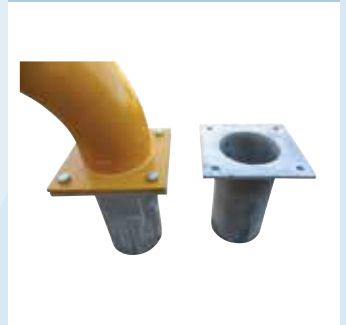
Trailer plate
1.000 x 1.000 x 2,5 mm
Weight: 26,5 kg
To protect the concrete in front of
loading ramp

39.1639 *



Trailer plate PE
1.000 x 1.000 x 20 mm
Weight: 18,5 kg

39.1640 *



Wheel guide
Ø165 mm, 5 mm, 300 mm depth.
Mounting plate: 250 x 250 x 10
mm.
Weight: 8,5 kg

39.1641 *



Wheel guide
Ø165 mm, 5 mm, 2.085 x 250 x
365 mm.
Color: Yellow RAL 1028
Weight: 90 kg
* Skaffevare / Special order item

39.1642 *



Wheel guide
Ø165 mm, 5 mm, 2.070 x 600 x
365 mm. Yellow RAL 1028.
Weight: 90 kg
Can be ordered in hot-dipped.

39.1643 *



Wheel guide
2.070 x 250 x 200 mm
Color: Yellow RAL 1028
Weight: 78 kg

39.1644 *



Wheel guide. Hot dipped.
Ø165 mm, 5 mm, 3.000 x 600 x
365 mm

S10.3301



Dolphin knife

S10.3303



10 pcs. blades for S10.3301

S10.3311



Utility knife

S10.3313



10 pcs. blades for S10.3311

S10.3312



Utility knife

S10.3314



10 pcs. blades for S10.3312

83.842



Profile cutter

84.930



Tool set for inserting filler sections in glazing sections. Eyelet Ø 9,5 mm.

84.931



Tool for filler sections

84.932T



Tool for glazing sections with wooden handle

84.934X



7 mm eyelet for 84.931

84.934



9,5 mm eyelet for 84.931

84.935



10,5 mm eyelet for 84.931

84.840084



Cold cut knife

84.961



Cold cut knife blade for 84.840084. 19 mm.

84.961A: 25 mm

84.961B: 35 mm

87.705I



Terokal 2444, 340 g
Excellent contact adhesive, based on CR, for rubber/rubber - and rubber/metal bonding.

87.727



Terokal 914, 680 g
Transparent contact adhesive, based on NBR. Very good for PVC.

87.082020



Cyanoacrylate adhesive
20 g

87.770/10



Loctite 770(7239), 10 g
Primer which improves the adhesion on materials which are difficult to glue e.g. thermoplastic rubber types. Is to be used together with Loctite 401 / 406 / 431 / 454 or 4850

87.1034



Sicom 50, 3 g
Excellent for EPDM

87.1035



Sicom 8300, 20 g
Excellent for sponge rubber

87.1739



Terodicht Elastik, 310 ml
IK sealant, based on synthetic rubber - black

87.1738



Terodicht schwarz, 310 ml
IK sealant, based on buthyl rubber - grey

87.2000



Dual component adhesive.
Total weight: 1 kg

87.52759



Terostat 2759, 310 ml.
Easy to dab off. IK sealant, based on buthyl rubber. Grey.
87.52759X: 570 ml

87.51989



Terostat 930, sort 310 ml.
87.51999F: 570 ml

87.723



Spray glue. Loctite 3923.

30.shore20-90



Shore samples with logo.
Silicone rubber.

30.shoreA



Shore A hårdhedsmåler
Shore A hardness tester

30.shoreD



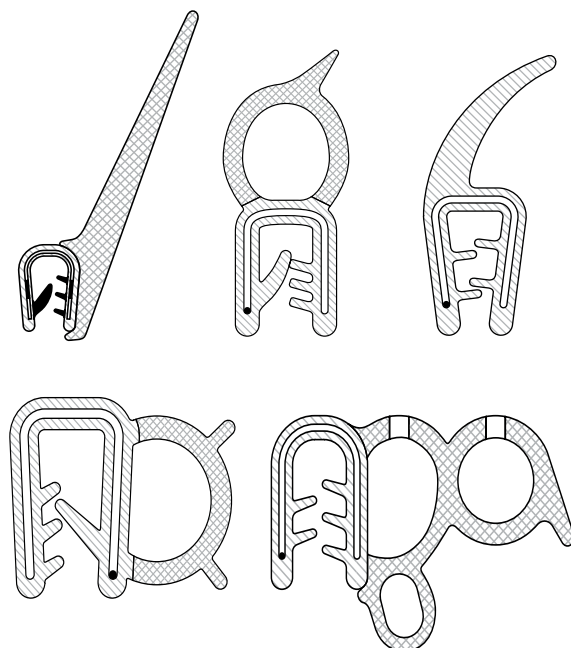
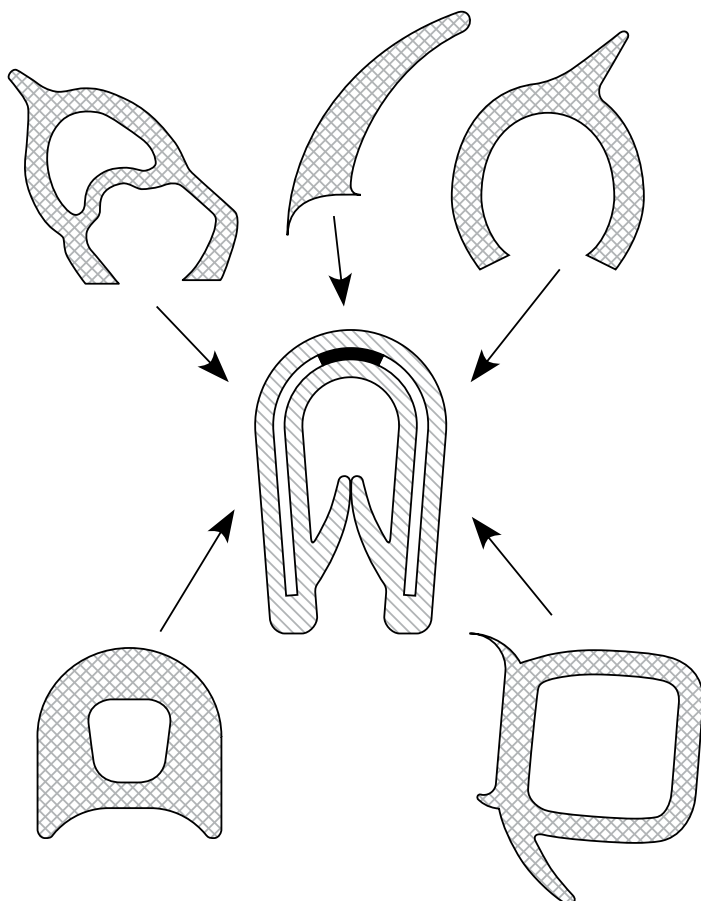
Shore D hårdhedsmåler
Shore D hardness tester

Dimensional tolerances for moulded, extruded and calendered solid rubber products.
(GB/T 3672-92) ISO3302-1998

Rubber thickness (mm)	E1 ± (mm)	E2 ± (mm)	E3 ± (mm)
0 - 1,5	0,15	0,25	0,4
1,5 - 2,5	0,2	0,35	0,5
2,5 - 4	0,25	0,4	0,65
4 - 6,3	0,35	0,5	0,8
6,3 - 10	0,4	0,65	1
10 - 16	0,5	0,8	1,3
16 - 25	0,65	1	1,6
25 - 40	0,8	1,3	2
40 - 63	1	1,6	2,5
63 - 100	1,3	2	3,2

Edge trims

Configure your own edge trim or choose from the 2.000 different we have in stock.



Varenummerindex / product number index

Vare Art.	Side Page	Vare Art.	Side Page	Vare Art.	Side Page	Vare Art.	Side Page
39.M6035	67	48.622	80	50.267	96	79.051A	96
39.M6050	67	48.622X	80	50.267NR	96	79.052	96
39.M7540	68	48.623	80	50.269	96	79.053	96
39.M7550	68	48.623X	80	50.271	95	79.054	96
39.M7560	68	48.624	80	50.275	95	79.055	96
39.M8050	68	48.626	79	50.276	95	83.842	105
39.SC300300	74	48.634	79	50.280	96	84.840084	105
39.SD300250	73	48.634F	79	52.13689-5	101	84.930	105
39.SD300300	73	48.634K	79	52.13689A	101	84.931	105
41.13459	28	48.634KF	79	52.13689B	101	84.932T	105
41.13459X	28	48.635	79	52.13689C	101	84.934	105
41.333S	20	48.635F	79	52.269	38	84.934X	105
41.670	28	48.635K	79	52.269X	38	84.935	105
41.674A	20	48.635KF	79	52.CWC8	63	84.961	105
41.675A	20	48.636	79	52.PP106	27	87.082020	106
41.678	20	48.636F	79	54.261700J-5	98	87.1034	106
45.102G	57	48.636FX	79	54.261700JC-5	98	87.1035	106
45.123	58	48.636K	79	54.261700JD-5	98	87.1738	106
45.2031024	58	48.636KF	79	54.261700JX-5	98	87.1739	106
45.20511046	58	50.083000GG	32	54.261720J-5	98	87.2000	106
45.20511091	58	50.083000SS	32	54.261740J-5	98	87.51989	106
45.2051445	58	50.083013	30	54.261760J-5	98	87.52759	106
45.205S	29	50.083015GG	30	54.261780J-5	98	87.7051	106
45.205SX	29	50.083015GGX	30	54.710290	25	87.723	106
45.206AL	56	50.083030	30	54.710720	30	87.727	106
45.208	29	50.083032GG	30	54.710770	31	87.770/10	106
45.209BX	29	50.083033	30	54.710780	32	D-fender	72
45.210B	29	50.083033X	30	57.400/1	76	D-fender	72
45.210BX	29	50.083040	30	57.400/2	76	D-fender	72
45.210C	29	50.083040G	30	57.400/3	76	DC-fender	74
45.210CX	29	50.083040GG	30	57.401/1	76	DD-fender	73
45.216C-50	57	50.083040GS	30	57.401/2	76	Keyhole fender	75
45.217C	56	50.083045G	30	57.401/3	76	KF-A-fender	75
45.221C	56	50.083045X	30	57.402/1	76	KF-B-fender	75
45.224	56	50.083050	30	57.402/2	76	KF-C-fender	75
45.235N1057	58	50.083050G	30	57.402/3	76	KF-D-fender	75
45.235N429	58	50.083050GG	30	57.403/1	76	MC-fender	75
45.235NG1057	58	50.083052G	31	57.403/2.5J	77	S10.3301	105
45.235NG429	58	50.083055G	31	57.403/2	76	S10.3303	105
45.308C-50	57	50.083059	31	57.403/3	76	S10.3311	105
45.308C	57	50.083060	31	57.404/1	76	S10.3312	105
45.309C-50	57	50.083060G	31	57.404/2	76	S10.3313	105
45.309C	57	50.083061	31	57.404/3	76	S10.3314	105
45.347C	56	50.083065	31	57.405/1	76	SC-fender	74
45.383C	56	50.083065G	31	57.405/2	76	SD-fender	73
45.388C	56	50.083070B	31	57.405/2J	77	Wing-type-fender	75
45.393	58	50.083070G	31	57.405/3	76		
45.394	58	50.083080G	31	57.406/1	76		
45.705C	56	50.083080GG	31	57.406/2	76		
45.832	56	50.083081	31	57.406/3	76		
45.836	56	50.083088	31	57.407/1	76		
45.837	56	50.083089	31	57.407/2	76		
45.839	56	50.083090	32	57.407/3	76		
45.872	56	50.083095	32	57.440/1	76		
45.874	56	50.083095B	32	57.440/2	76		
45.882	56	50.083095G	32	57.440/3	76		
45.884C	56	50.13621	96	57.441/1	76		
45.886	57	50.241NR	95	57.441/2	76		
45.886G	57	50.242NR	95	57.441/3	76		
45.894	57	50.243NR	96	57.442/1	76		
45.901	58	50.244NR	95	57.442/2	76		
45.980A	57	50.245H	95	57.442/3	76		
45.980K	57	50.245NR	95	57.443/1	76		
45.980S	57	50.246-10	95	57.443/2	76		
48.442	81	50.246NR	95	57.443/2JP	77		
48.451	80	50.247-10	95	57.443/3	76		
48.452	80	50.247NR	95	57.444/1	76		
48.542	81	50.250	96	57.444/2	76		
48.544A	81	50.260-10	18	57.444/3	76		
48.603	79	50.260-4	18	57.445/1	76		
48.604	79	50.260-5	18	57.445/2	76		
48.605	80	50.260-6	18	57.445/3	76		
48.605B	80	50.260-8	18	57.446/1	76		
48.605X	80	50.261	96	57.446/2	76		
48.605Y	80	50.263	96	57.446/3	76		
48.608	80	50.263K	96	57.447/1	76		
48.609	80	50.264-10	95	57.447/2	76		
48.612	81	50.264	96	57.447/3	76		
48.613K	79	50.265-10	95	63.55030	81		
48.618	81	50.265	95	68.4250	81		
48.621	80	50.266	95	79.051	96		

Kemisk betegnelse	Natur-kautsjuk	Styrolbutadien-Kausjuk	Nitril kausjuk (Perbunan)	Chlororen kausjuk (Neopren)	Ethylen propylen kausjuk (APTK)
Chemical Nomenclature	Naturel Rubber	Styrol Butadien Rubber (Buna)	Nitril Rubber (Perbunan)	Chloroprene Rubber (Neoprene)	Ethylene Propylene Dien Rubber
Navnefortegnelse i.h.t. ASTM D 1418 Abbreviation as per ASTM D 1418	NR	SBR	NBR	CR	EPDM
Hårdhedsområde (Shore A)(±5) Hardness Range (Shore A)(±5)	40 - 90	45 - 90	45 - 90	40 - 90	40 - 90
Trækstyrke N/mm ² Tensile Strength N/mm ²	4 - 15	4 - 15	4 - 14	5 - 15	6 - 13
Tilbagestødselasticitet ved 20°C Recoil Elasticity at 20°C	Udmærket Excellent	God Good	Tilfredsstillende Satisfactory	God Good	God Good
Slidstyrke Abrasion Resistance	Meget god Very good	Meget god Very good	God Good	God Good	God Good
(1) Kemisk bestandighed (1) Chemical Resistance	God Good	God Good	Tilfredsstillende Satisfactory	God Good	Meget god Very good
(1) Oliebestandighed (1) Oil Resistance	Ringe Low	Ringe Low	Udmærket Excellent	God Good	Ringe Low
(1) Bestandighed overfor benzin (1) Petrol Resistance	Ingen None	Ringe Low	God Good	Ringe Low	Ringe Low
(1) Bestandighed overfor opløsningsmidler (1) Solvent Resistance	Ringe Low	Ringe Low	God Good	God Good	(3) Tilfredsstillende (3) Satisfactory
(4) Temperaturbestandighed °C (4) Temperature Stability in °C	-40 til +80° -40 to +80°	-30 til +80° -30 to +80°	-30 til +100° -30 to +100°	-25 til +100° -25 to +100°	-40 til +100° -40 to +100°
Ozonbestandighed Ozone Resistance	Tilfredsstillende Satisfactory	Tilfredsstillende Satisfactory	Tilfredsstillende Satisfactory	Meget god Very good	Udmærket Excellent
Vejrbestandighed General Climate Resistance	God Good	God Good	God Good	Meget god Very good	Udmærket Excellent
Gasuigennemtrængelighed Gas Impermeability	Tilfredsstillende Satisfactory	Tilfredsstillende Satisfactory	God Good	God Good	Tilfredsstillende Satisfactory
(2) Modstand mod blivende deformationer (2) Resistance to permanent set	Meget god Very good	God Good	God Good	God Good	God Good
Bindekraft til metal Adhesion to metal	Udmærket Excellent	Meget god Very good	Tilfredsstillende Satisfactory	God Good	Tilfredsstillende Satisfactory
Bindekraft til tekstiler Adhesion to textile	Udmærket Excellent	God Good	Tilfredsstillende Satisfactory	Udmærket Excellent	Tilfredsstillende Satisfactory

(1) = På grund af mange mulige kemikalier, opløsningsmidler, arbejdstemperaturer og arbejdstider kan de oplyste værdier, i enkelte tilfælde, udvise forandringer. Især kan en elastomeretype, som normalt udviser ringe bestandighed, udvise en meget god resistens overfor bestemte medier.

(2) = Ved relative lave h.h.v. høje temperaturer reduceres modstanden normalt.

(3) = God udvidelsesbestandighed overfor forskellige blødgørere.

(4) = Det drejer sig om grænseværdier, som kan svinge alt efter sammensætningen af blandingen. Vedvarende indsætning i grænseområderne ændrer de fysiske værdier. Til ekstreme påvirkninger kræves særlige elastomere-blandinger.

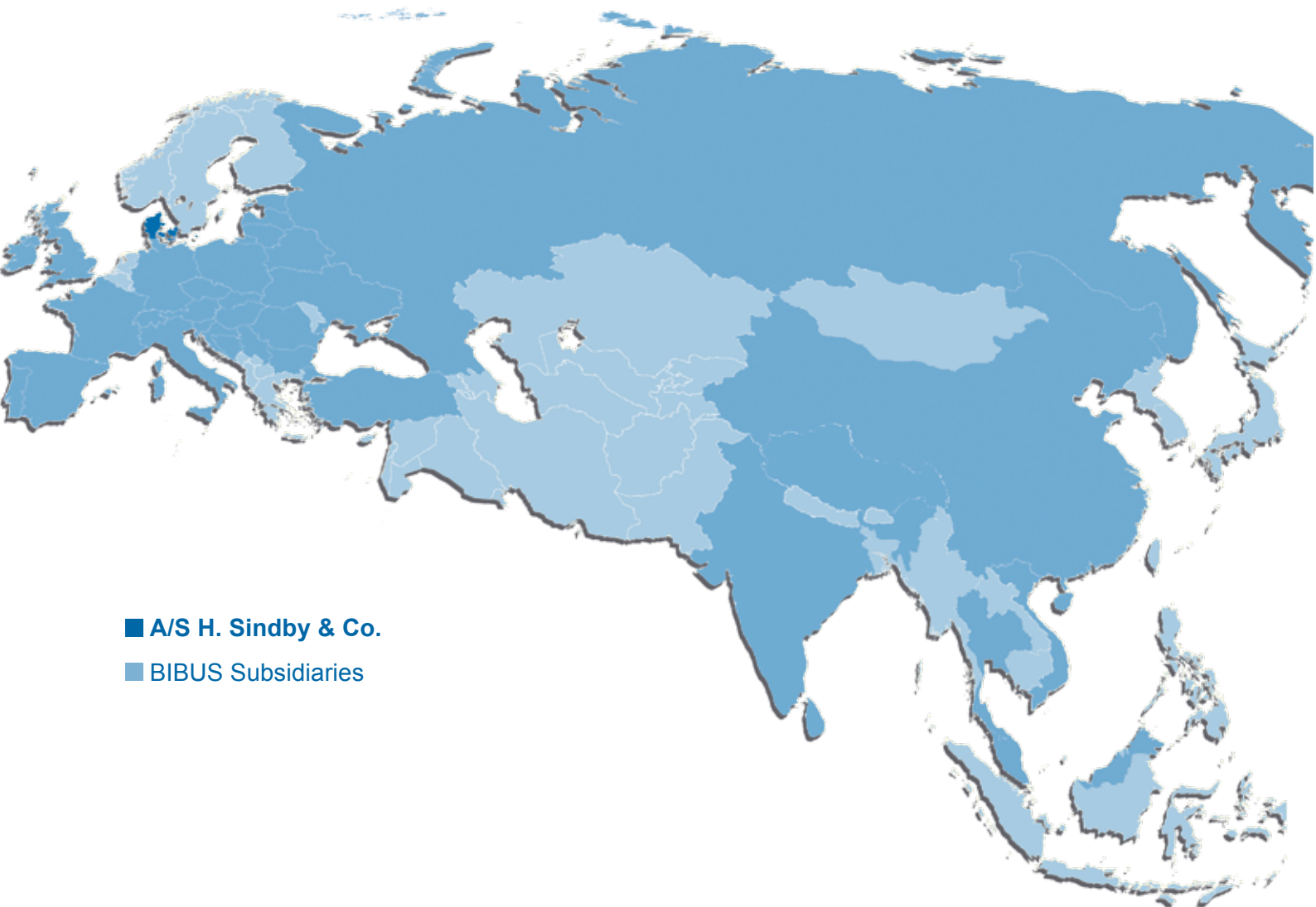
(1) = In view of the multitude of chemicals, solvents, application temperatures and times the value quoted may vary in some cases. For example one type of elastomer which normally has only low resistance properties could show very good resistance to certain media.

(2) = At relatively high or low temperatures, resistance generally drops.

(3) = Good expansion resistance to various ester based plasticizers.

(4) = These are borderline values which, depending on composition of the mixture, can vary. If used permanently in such borderline areas, this can lead to a change in the physical values. For such extreme applications it is advisable to use special elastomer mixtures.

DEVELOPMENT
LOGISTICS
SUPPORT



■ A/S H. Sindby & Co.
■ BIBUS Subsidiaries

A/S H. Sindby & Co.
Edisonvej 11
DK-7100 Vejle
Tel. +45 75 88 21 22
Fax +45 75 88 21 21
sindby@sindby.dk